

# SINGLE INPUT MONITOR (CHQ-CP2) APPLICATION NOTE

## FUNCTION

The CHQ-CP2 is a loop powered single input monitor unit designed to be used as a call point module for special applications such as addressable key-switches and explosion proof call points.

The default device type allocated by the Fire Alarm Control Panel will be a call point.

As shown below, the unit consists of a single PCB and several flying leads, which should be connected as described in the Wiring Diagram below.

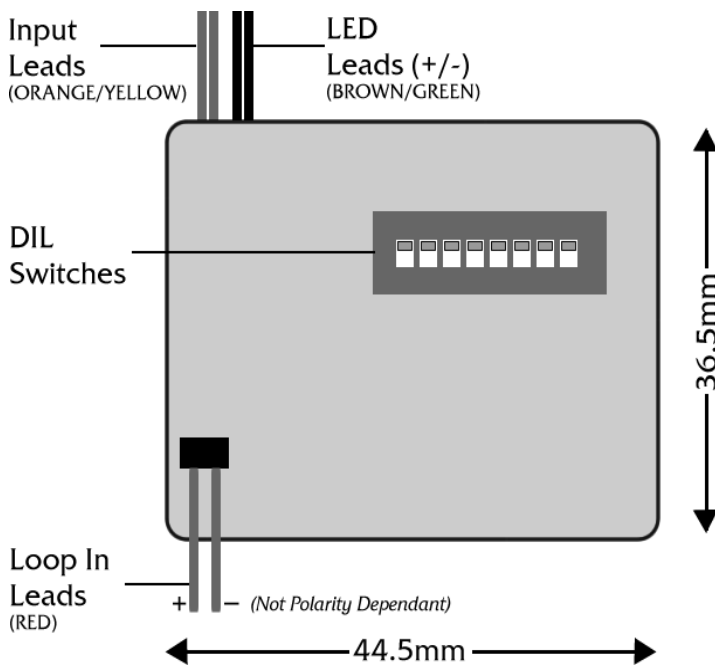


FIG 1



FIG 2

## INSTALLATION

**NOTE: The unit consists of a PCB (Printed Circuit Board), which requires mounting in an appropriate box, for "field usage" in order to comply with the European "CE" directive.**

If required, a red LED can be fitted as shown in FIG 3 (over). If connected the red LED flashes each time the unit is polled by the fire alarm control panel, and is continuously illuminated under control panel instruction when the input is activated and latched until the unit is reset.

## WIRING DIAGRAM

**NOTE:** The red loop wires are non-polarised and can be connected either way round.

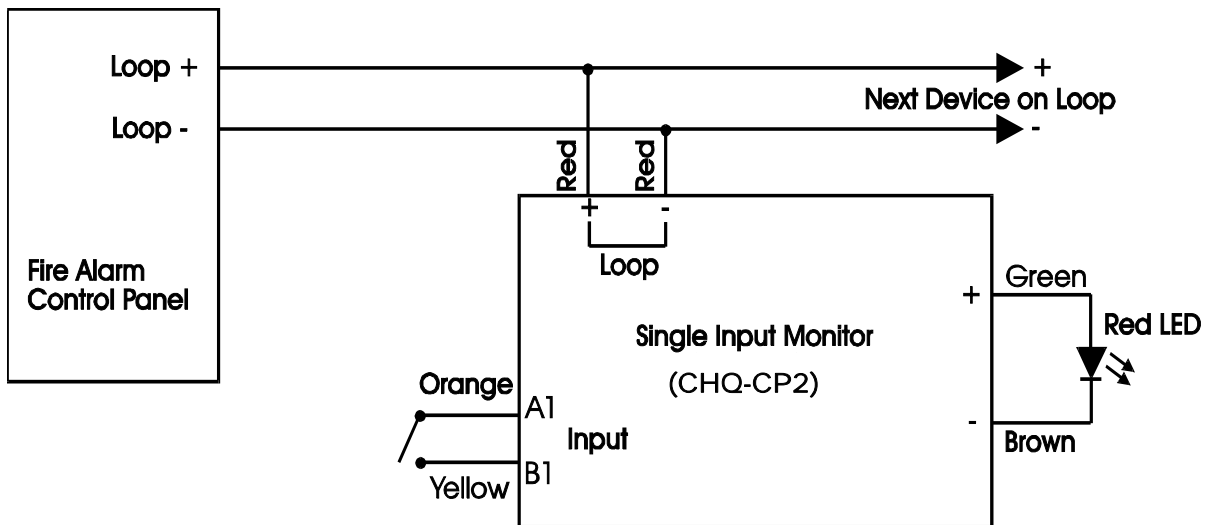


FIG 3

## HARDWARE SPECIFICATION

Features	<ul style="list-style-type: none"> <li>- Single un-monitored input</li> <li>- Non-polarised loop connections</li> <li>- Sleep mode for low power consumption</li> <li>- Monitor LED (<i>when fitted</i>) - flashes when unit is polled, continuously illuminated in alarm.</li> </ul>	
Supply voltage	Loop voltage (low)	17 – 31 V
Current consumption (loop)	Quiescent	230 $\mu$ A (typ)
	Sleep mode, 0.75s polling	38 $\mu$ A (typ)
	Loop current (when polled)	22 mA $\pm$ 20%
	Loop current (alarm) - LED on	5 mA
ON threshold level	< 50 $\Omega$	
OFF threshold level	> 100 k $\Omega$	
Operating temperature range	-10°C - +50°C	
Storage temperature range	-30°C - +60°C ( <80% RH at 60°C)	
Relative humidity	95% RH at 40°C non-condensing *	
Dimensions	44.5 mm x 36.5 mm	
Weight	15 g (not including casing)	

\*Only applies when module is suitably housed.



**Hochiki Europe (UK) Ltd**  
**Grosvenor Road, Gillingham Business Park,**  
**Gillingham, Kent, ME8 0SA, England**  
**Telephone: +44(0)1634 260133 Facsimile: +44(0)1634 260132**  
**Email: sales@hochikieurope.com Web: www.hochikieurope.com**

Hochiki Europe (UK) Ltd. reserves the right to alter the specification of its products from time to time without notice. Although every effort has been made to ensure the accuracy of the information contained within this document it is not warranted or represented by Hochiki Europe (UK) Ltd. to be a complete and up-to-date description. Please check our web site for the latest version of this document.