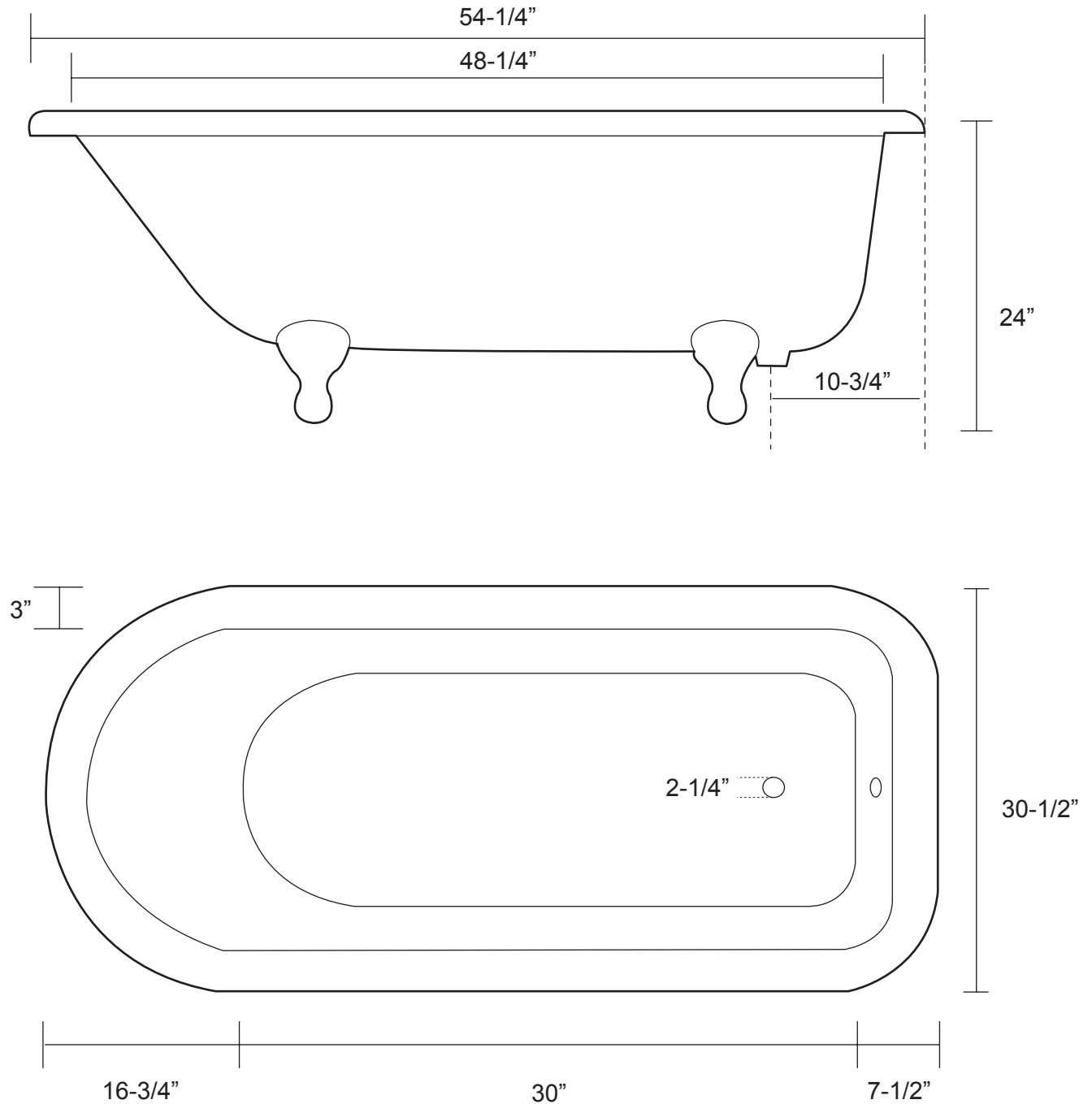


54" Cast Iron Rolled Rim Tub on Feet

Tub Dimensions: 54-1/4" L x 30-1/2" W x 24" H

Tub water capacity: 41 gallons

Tub Weight Uncrated: 240 lbs. Tub Weight Crated: 420 lbs.



Tub is 18" deep at drain.

Overflow hole diameter is 1-1/2".

Water depth to overflow is 15" (13" H for tub with wall holes).

All measurements are approximate. Measurements may vary +/- 1/2".