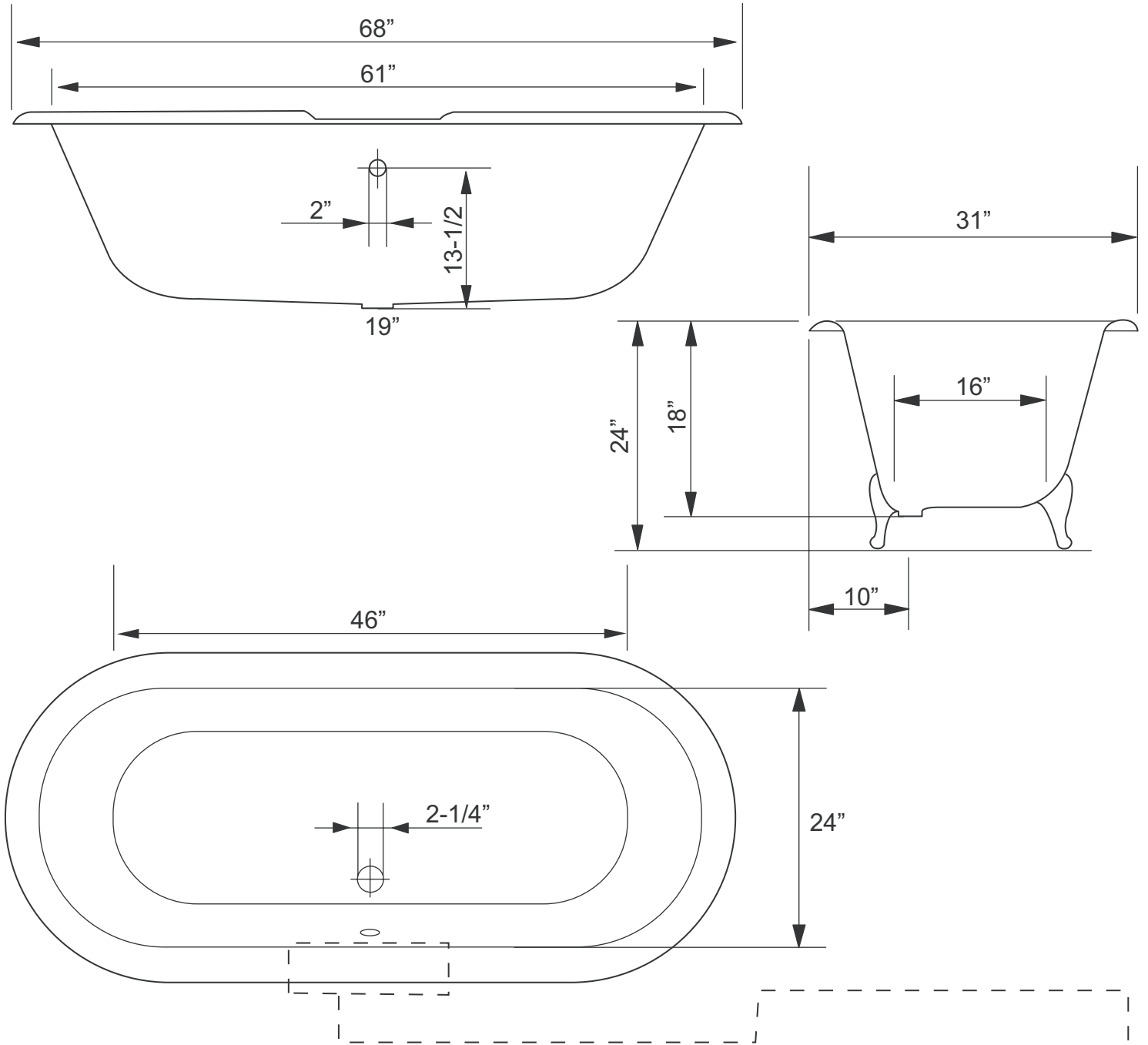
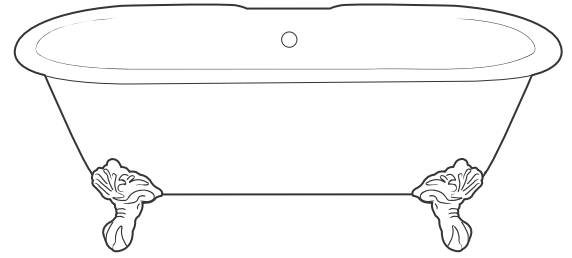


Cast Iron Dual Tub on Feet

Tub Dimensions: 68" L x 31" W x 24" H

Tub water capacity: 50 gallons

Tub Weight Uncrated: 300 lbs. Tub Weight Crated: 480 lbs.



Tub is 18" deep at drain.

Water depth to overflow is 13-1/2" H

Note: Rough -in dimensions may vary +/- 1/2" and are subject to change. No responsibility is assumed by Canyon Bath. All weights and capacities are approximate.

