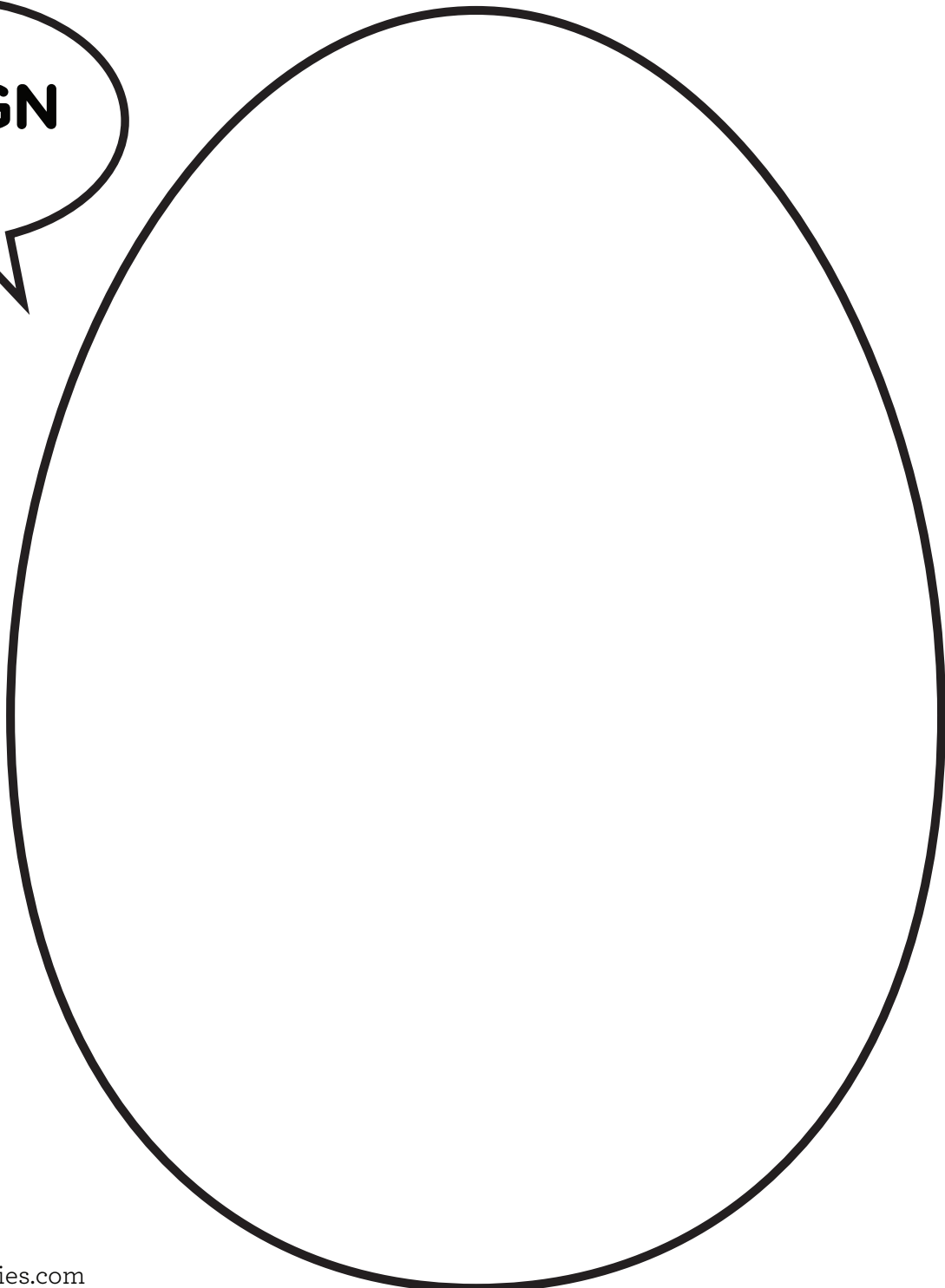


**DESIGN
ME!**



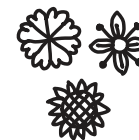
SECRET MESSAGES

Traditional Ukrainian eggs (also known as *pysanky*) were decorated with symbols that carried meaning and good wishes. Below are just a few examples.

Design your own egg using traditional symbols, or invent your own!



HORSE: Sun, wealth, prosperity



FLOWERS: wisdom, beauty, elegance



OAK LEAF/ACORN: strength and persistence



DEER: masculinity, victory, leadership

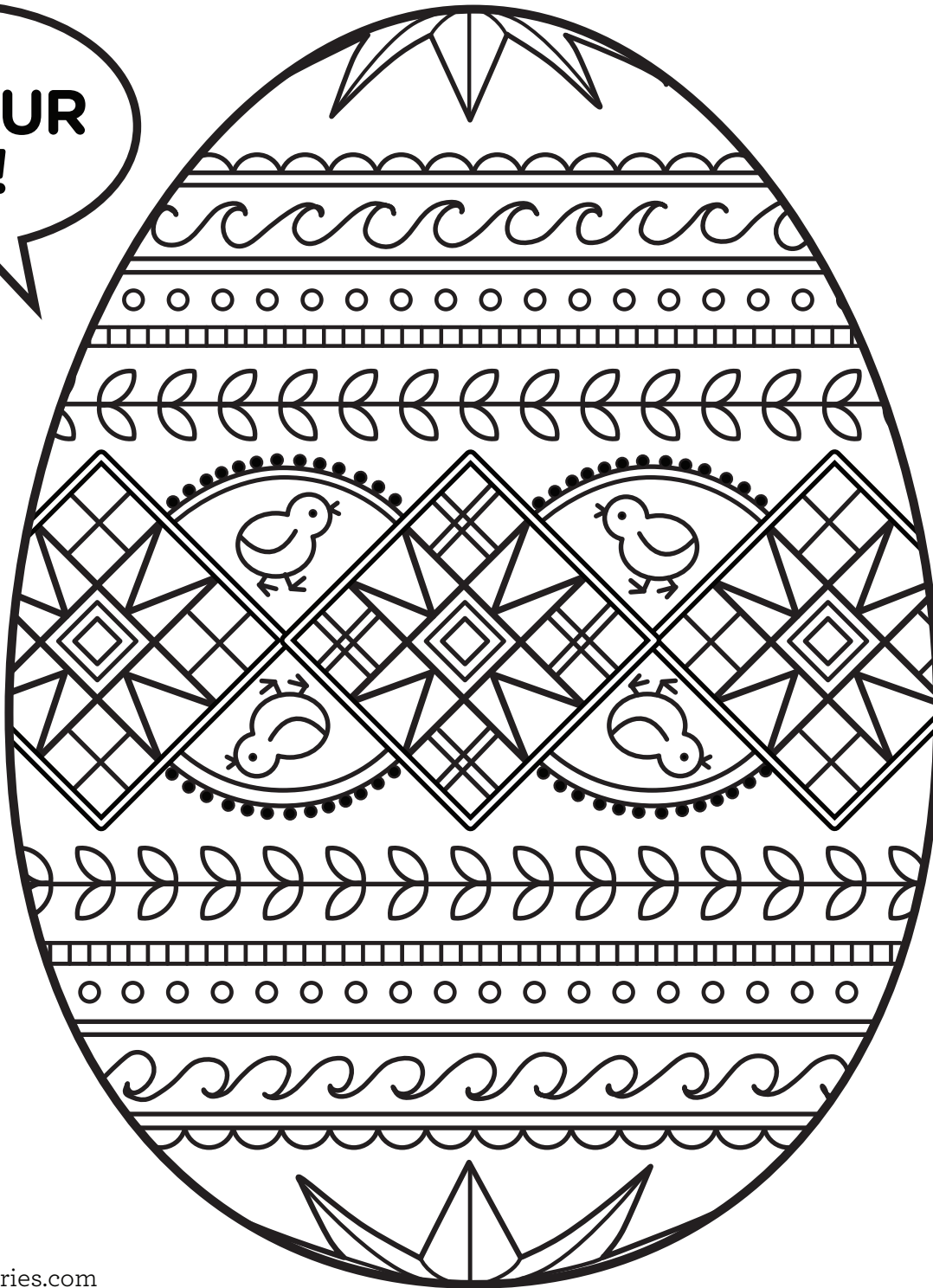


PINE BOUGH: strength, growth, eternal life



BIRD: coming of spring, fertility, fulfillment of wishes

COLOUR
ME!



THE SYMBOLISM OF COLOUR

Traditional Ukrainian eggs (also known as *pysanky*) were dyed in many colours, and each colour had a meaning.

What colours are not on the list below? What meaning would you give them?

WHITE: purity, light, birth

YELLOW: sun, stars, moon, harvest, warmth, youth, happiness

ORANGE: endurance, strength, ambition

RED: happiness, hope, passion, sun

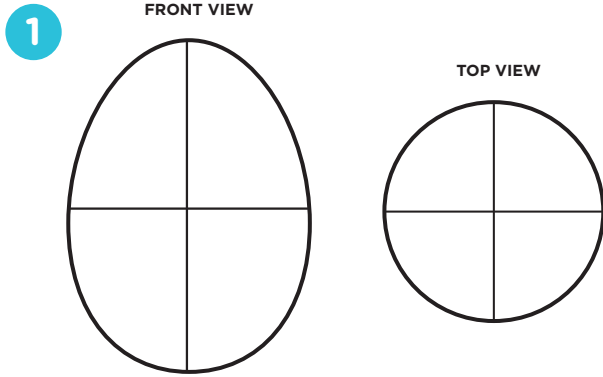
BLUE: sky, air, good health

GREEN: spring, hope, freshness, renewal

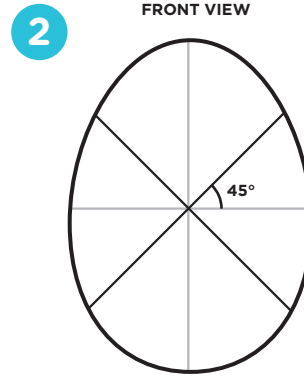
BROWN: mother earth

BLACK: darkest time before dawn, eternity, respect for the dead

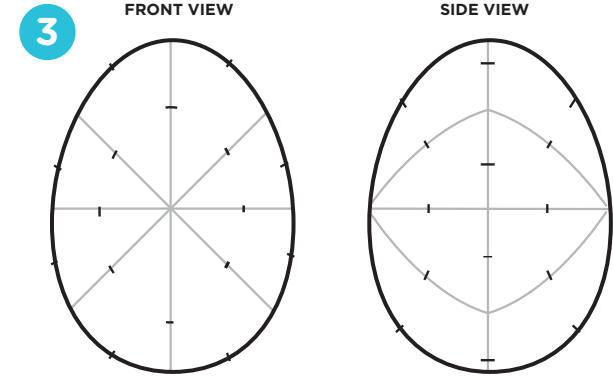
STEP-BY-STEP Pysanka Pattern



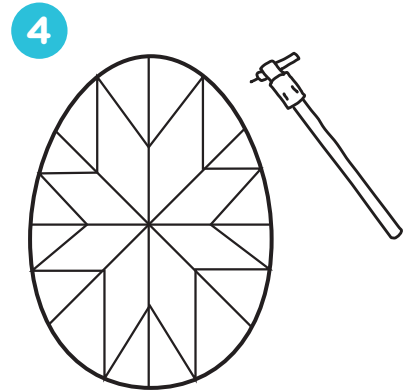
With an HB pencil and a light touch, divide egg into 8 sections as shown.



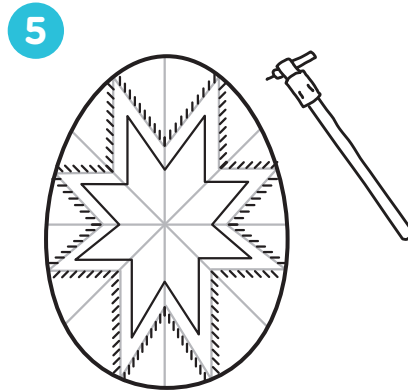
Add diagonal lines from centre, making sure to keep them at 45 degrees from the first lines.



Make a mark halfway from centre to the end of each "spoke"
Make a mark halfway along the side sections, as shown.

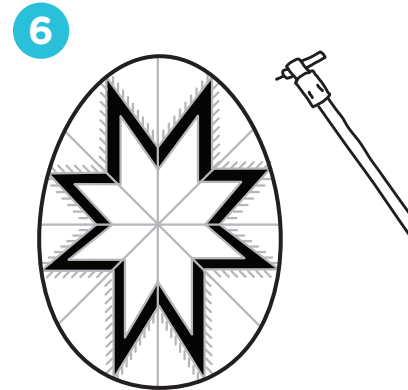


With the kistka, wax in the base lines and connect the marks from step 3.



Using your wax lines from step 4 as reference, add the lines shown.

Dye the egg first (lighter) colour. See samples on the right for ideas, or feel free to experiment!



Wax in the area shown above.

Dye the egg in the second (darker) colour.

For complete instructions on pysanky-making, check out our instructional booklet, *Pysanky Party* by Doris Mielke available at ukrainianeggcessories.com

SAMPLE COLOUR COMBINATIONS



Gold and blue



Red and black



Green and black



Pink and purple



Gold and pink



Turquoise and blue