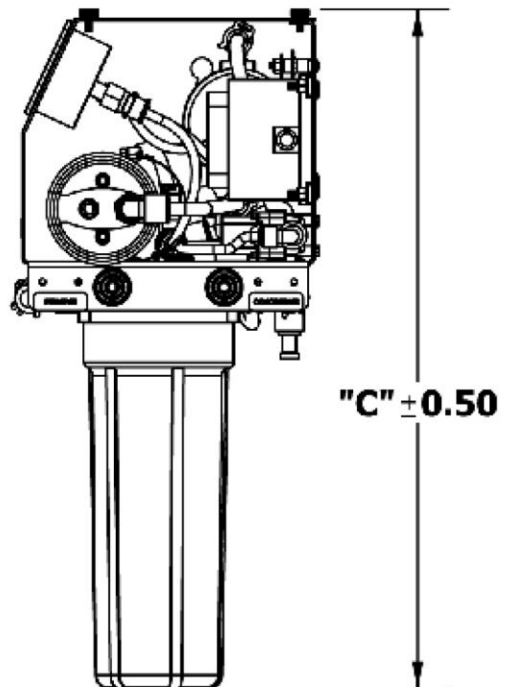
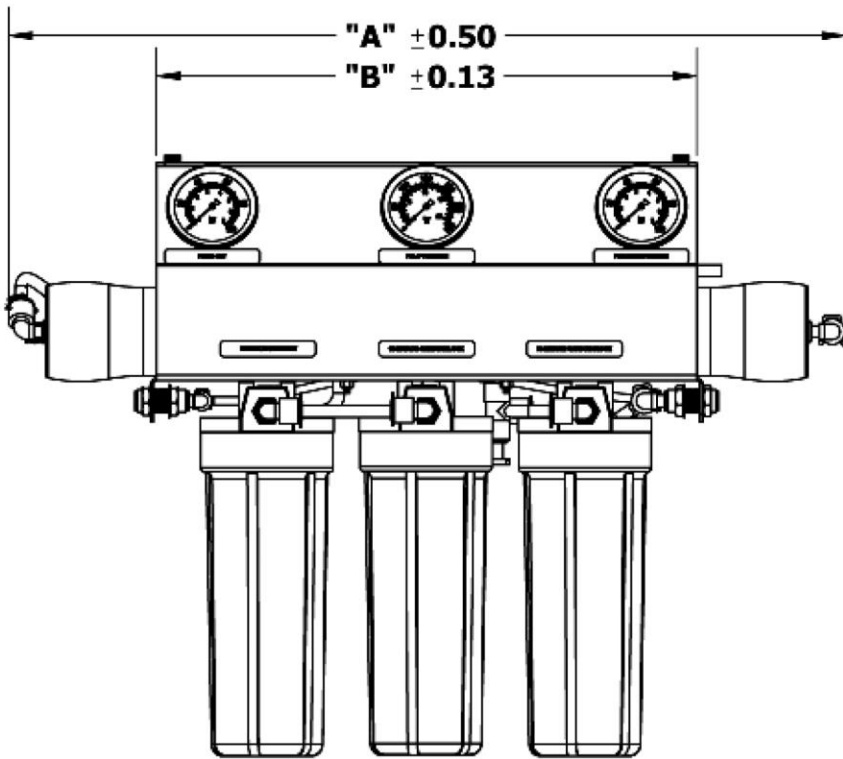
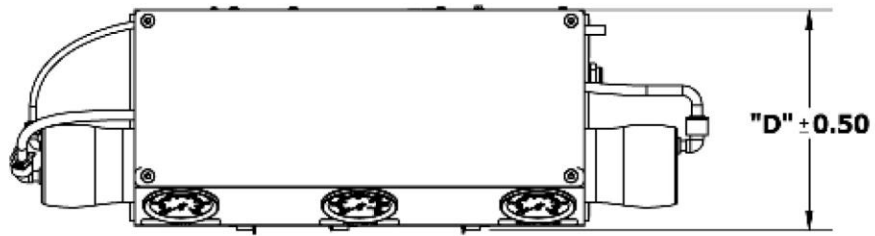
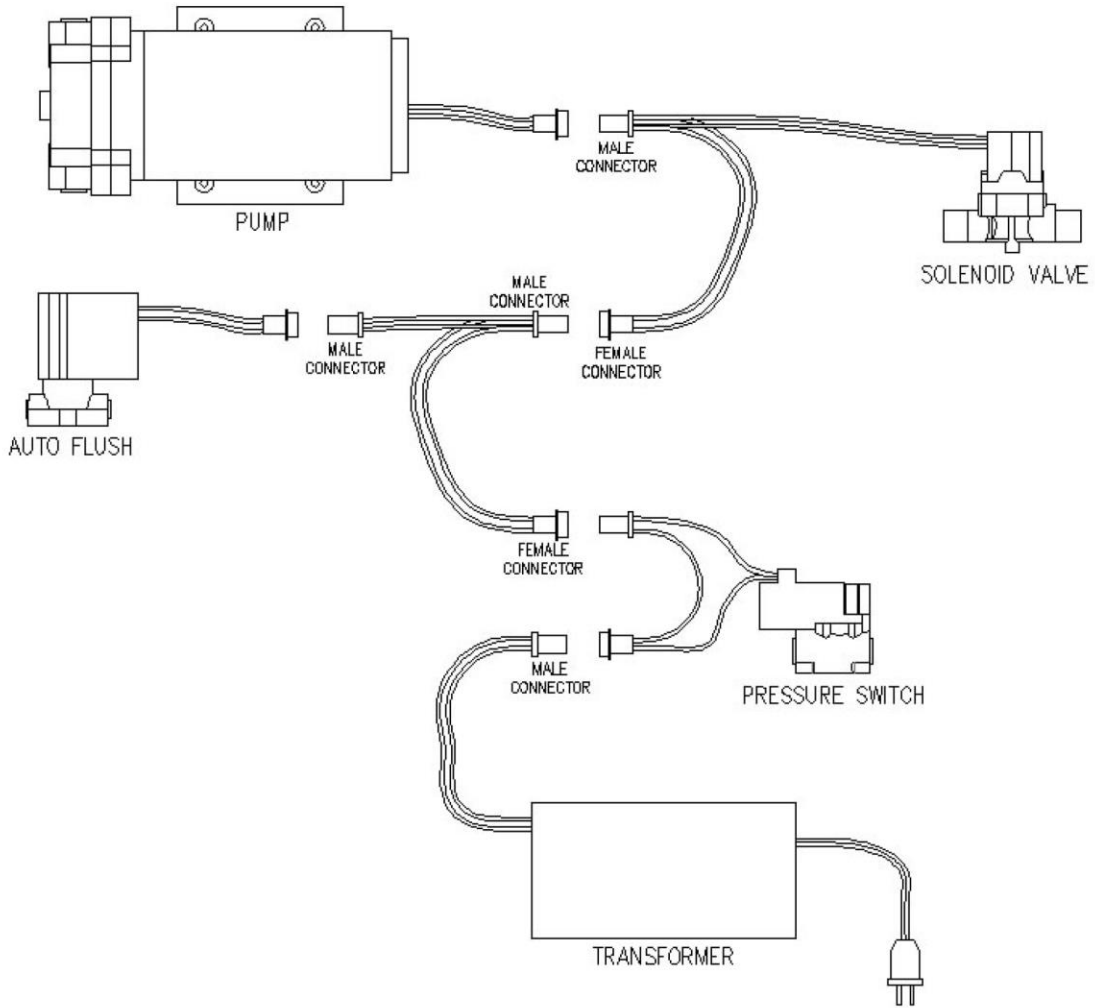


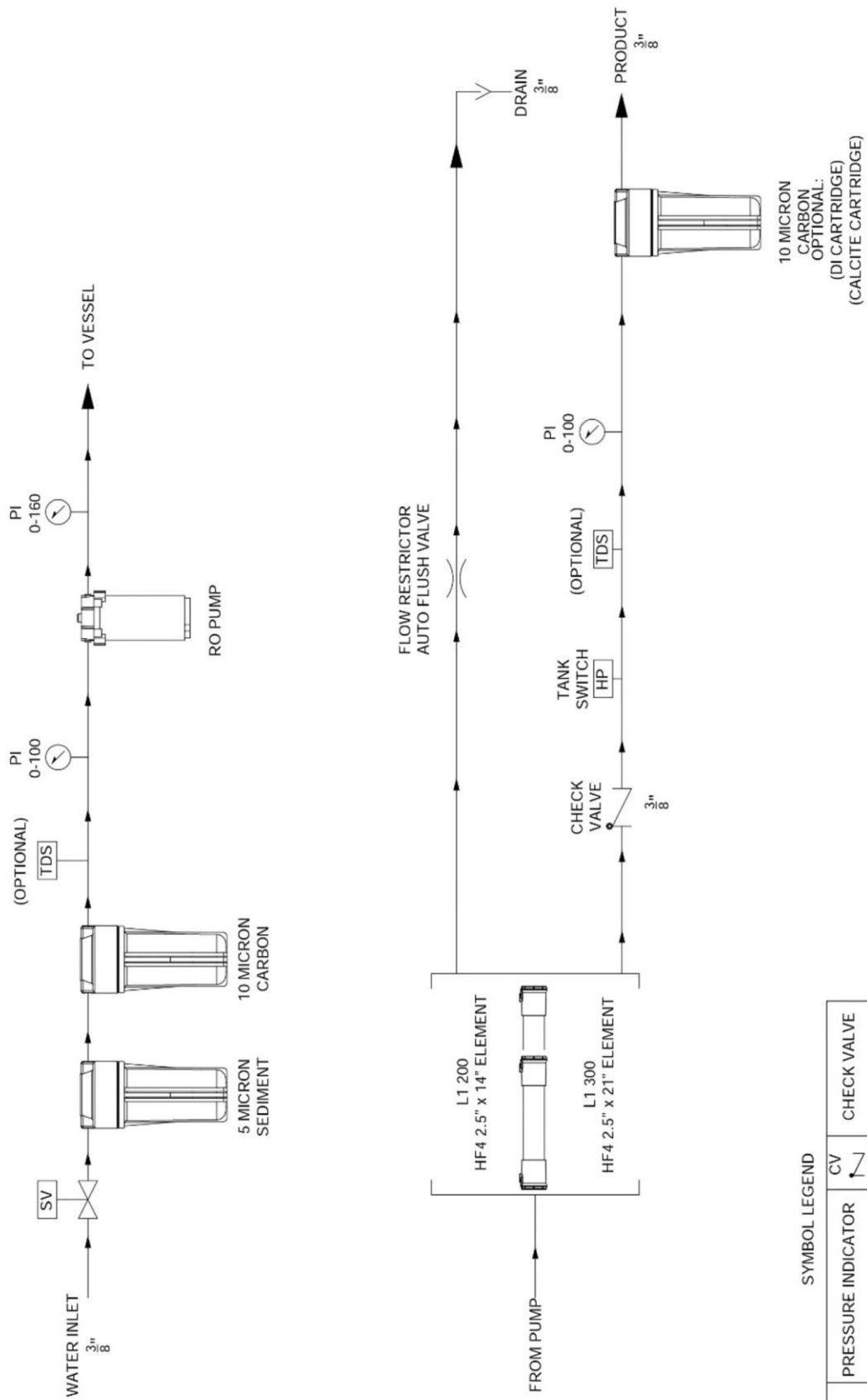
SYSTEM DRAWING



DIMENSIONS	L1-200
"A" DIM	19.33
"B" DIM	17.00
"C" DIM	18.92
"D" DIM	8.34
DRY WEIGHT	55 LBS

Pump Wiring





SYMBOL LEGEND

PI	PRESSURE INDICATOR	CV	CHECK VALVE
SV	SOLENOID	HP	TANK SWITCH
	FLOW RESTRICTOR AUTO FLUSH VALVE	TDS	TDS MONITOR

Craft Brew 200 GPD Wiring Schematic

