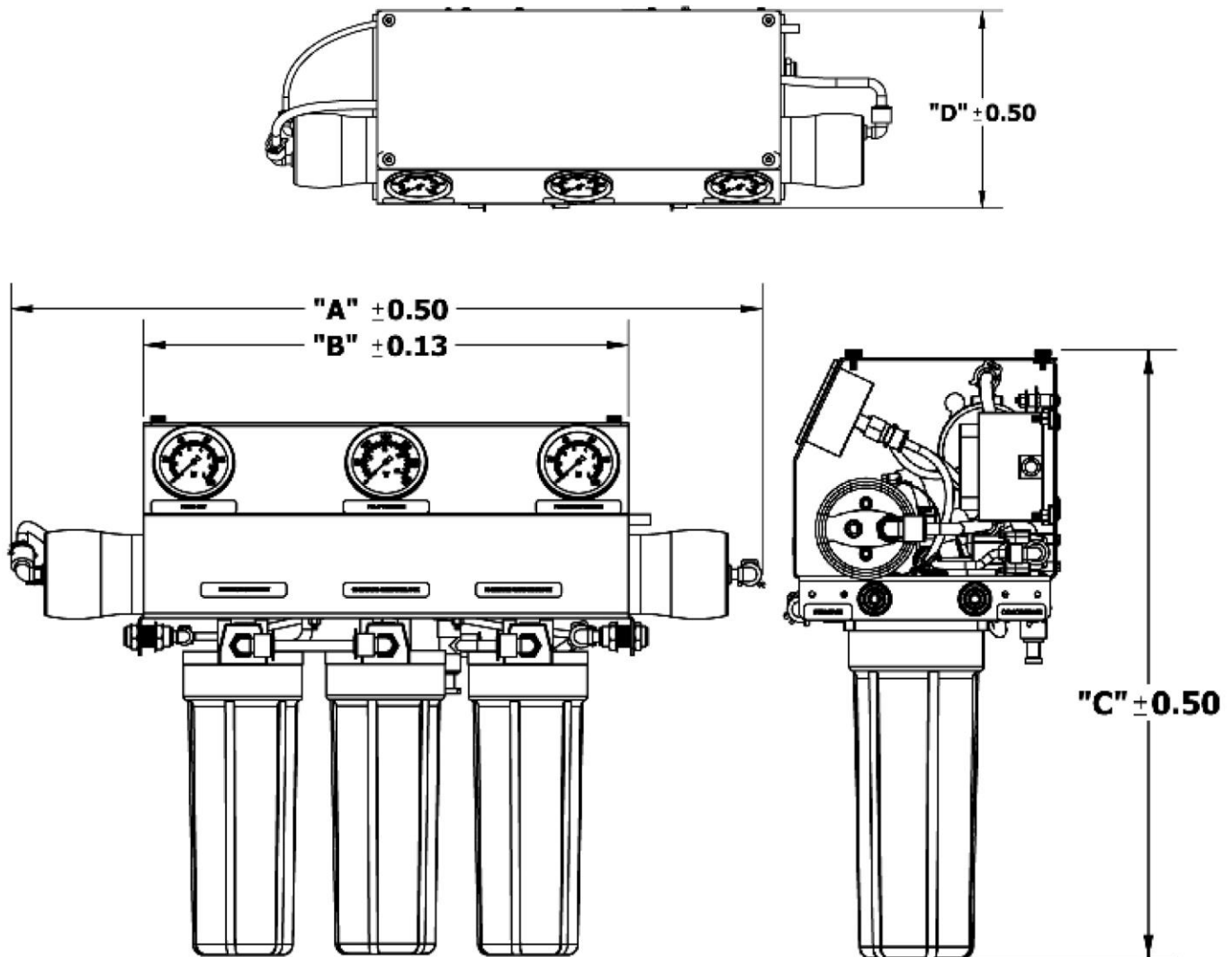
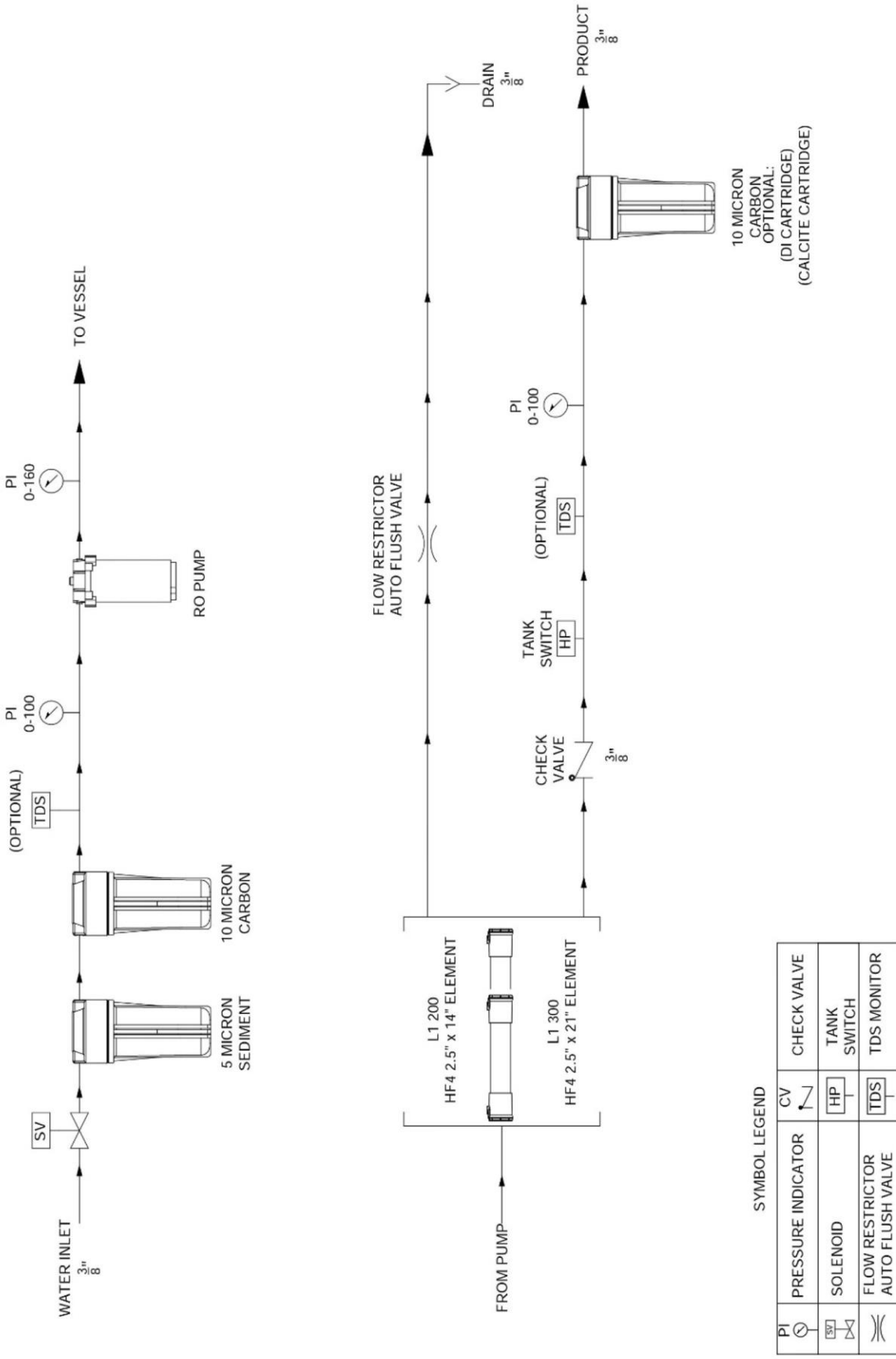


SYSTEM DRAWING



DIMENSIONS	L1-200
"A" DIM	19.33
"B" DIM	17.00
"C" DIM	18.92
"D" DIM	8.34
DRY WEIGHT	55 LBS

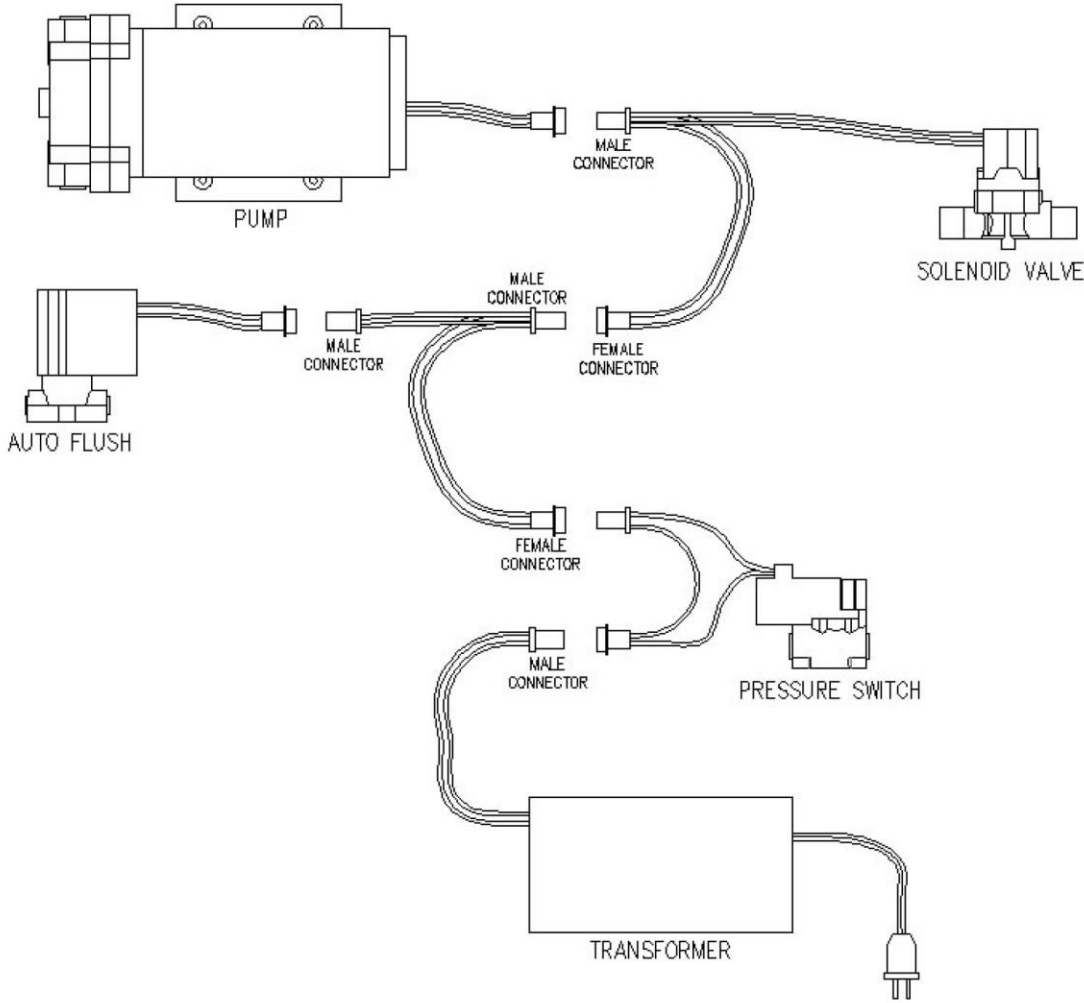


10 MICRON
CARBON
OPTIONAL:
(DI CARTRIDGE)
(CALCITE CARTRIDGE)

SYMBOL LEGEND

PI		CV		CHECK VALVE
	SOLENOID	HP		TANK SWITCH
	FLOW RESTRICTOR AUTO FLUSH VALVE	TDS		TDS MONITOR

Pump Wiring



Craft Brew 200 GPD Wiring Schematic

