

4

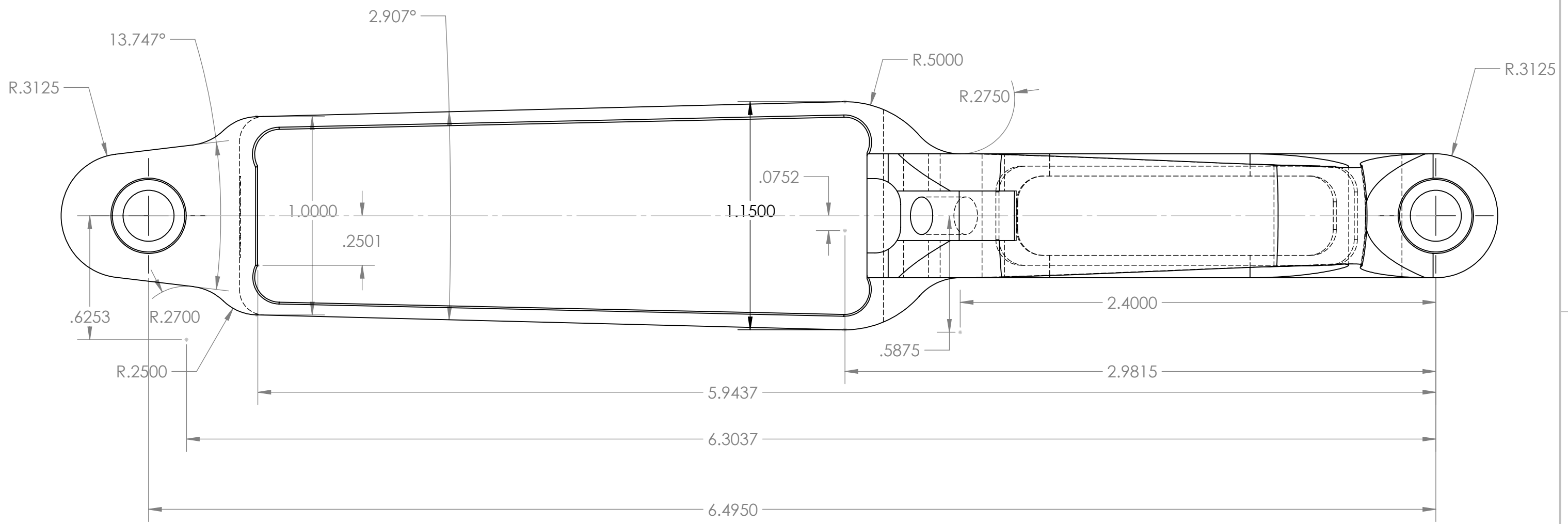
3

2

1

B

B



A

A

4

3

2

1

PROPRIETARY AND CONFIDENTIAL
 THE INFORMATION CONTAINED IN THIS DRAWING IS THE SOLE PROPERTY OF LONGLES, INC. ANY REPRODUCTION IN PART OR AS A WHOLE WITHOUT THE WRITTEN PERMISSION OF LONGRIFLES, INC. IS PROHIBITED.

TOLERANCING: INCHES	
ANGULAR: +/- .5°	
LINEAR AND RADIUS:	
.01" = +/- .005"	
.001" = +/- .001"	
.0001" = +/- .0005"	
INTERPRET GEOMETRIC TOLERANCING PER:	
MATERIAL	6061 T651
FINISH	TYPE III ANO/RAW
DO NOT SCALE DRAWING	

	NAME	DATE
DRAWN	C. DIXON	8.16.19
CHECKED		
COMMENTS:		

LONGRIFLES, INC.		
TITLE:		
LRI M700 SA HTR DBM INLET PRINT		
TOP VIEW		
SIZE	DWG. NO.	REV
B		
SCALE: 2:1		SHEET 1 OF 1