

4

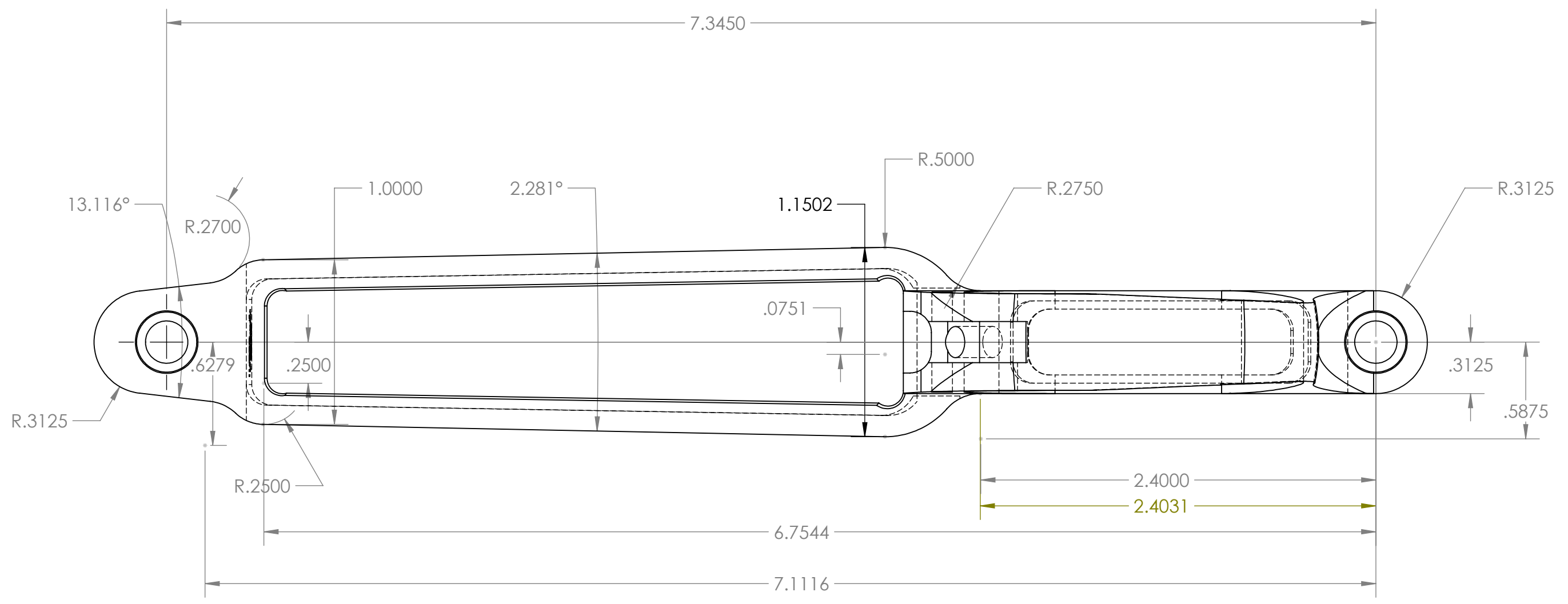
3

2

1

B

B



A

A

4

3

2

1

**PROPRIETARY AND CONFIDENTIAL**  
 THE INFORMATION CONTAINED IN THIS DRAWING IS THE SOLE PROPERTY OF LONGLES, INC. ANY REPRODUCTION IN PART OR AS A WHOLE WITHOUT THE WRITTEN PERMISSION OF LONGRIFLES, INC. IS PROHIBITED.

TOLERANCING: INCHES		NAME	DATE
ANGULAR: +/- .5°	DRAWN	C. DIXON	2.7.17
LINEAR AND RADIUS:	CHECKED		
.01" = +/- .005"			
.001" = +/- .001"			
.0001" = +/- .0005"			
INTERPRET GEOMETRIC TOLERANCING PER:	COMMENTS:		
MATERIAL			
FINISH			
DO NOT SCALE DRAWING			

SIZE	DWG. NO.	REV
<b>B</b>		

<b>LONGRIFLES, INC.</b>	
TITLE: LRI HTR DBM_3.850" MAGAZINE	
SCALE: 1.5:1	SHEET 1 OF 1