

4

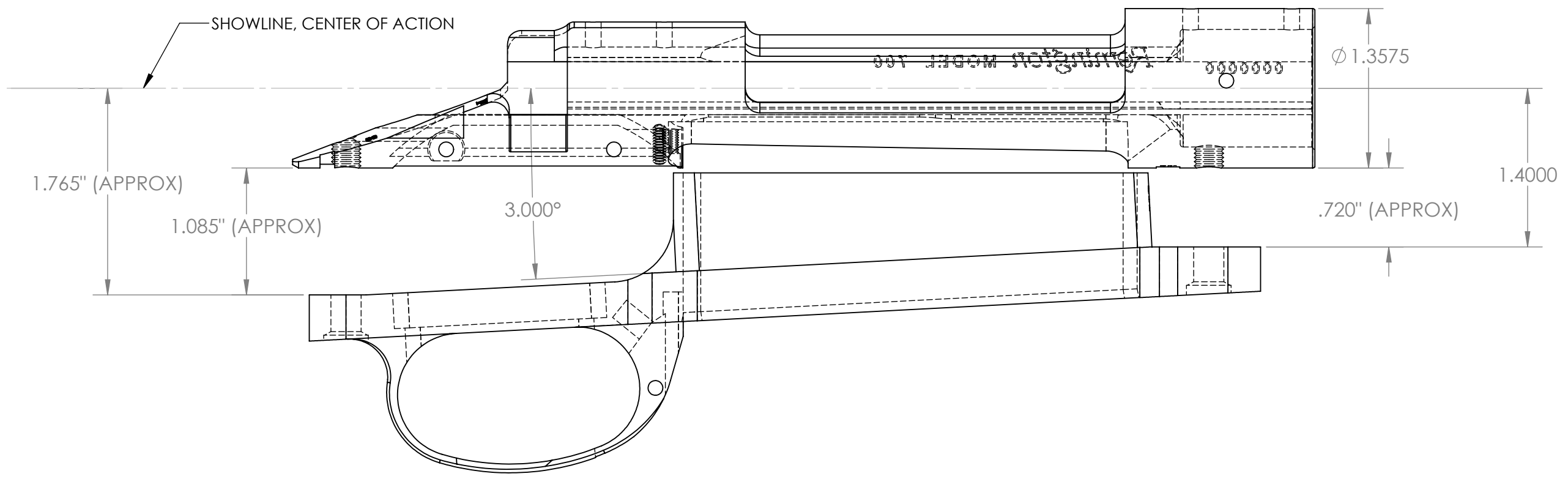
3

2

1

B

B



A

A

**PROPRIETARY AND CONFIDENTIAL**  
 THE INFORMATION CONTAINED IN THIS DRAWING IS THE SOLE PROPERTY OF LONGRIFLES, INC. ANY REPRODUCTION IN PART OR AS A WHOLE WITHOUT THE WRITTEN PERMISSION OF LONGRIFLES, INC. IS PROHIBITED.

TOLERANCING: INCHES		NAME	DATE	<b>LONGRIFLES, INC.</b>	
ANGULAR: +/- .5° LINEAR AND RADIUS: .01" = +/- .005" .001" = +/- .001" .0001" = +/- .0005"		DRAWN	C. DIXON		
INTERPRET GEOMETRIC TOLERANCING PER:		CHECKED			TITLE:
MATERIAL		COMMENTS:			LRI HTR DBM_3.850" MAGAZINE
FINISH					SIZE DWG. NO. REV
DO NOT SCALE DRAWING					<b>B</b>
					SCALE: 1.5:1 SHEET 1 OF 1

4

3

2

1