

4

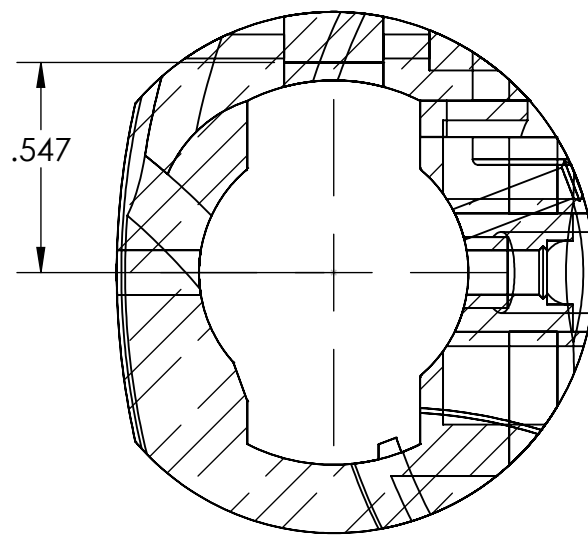
3

2

1

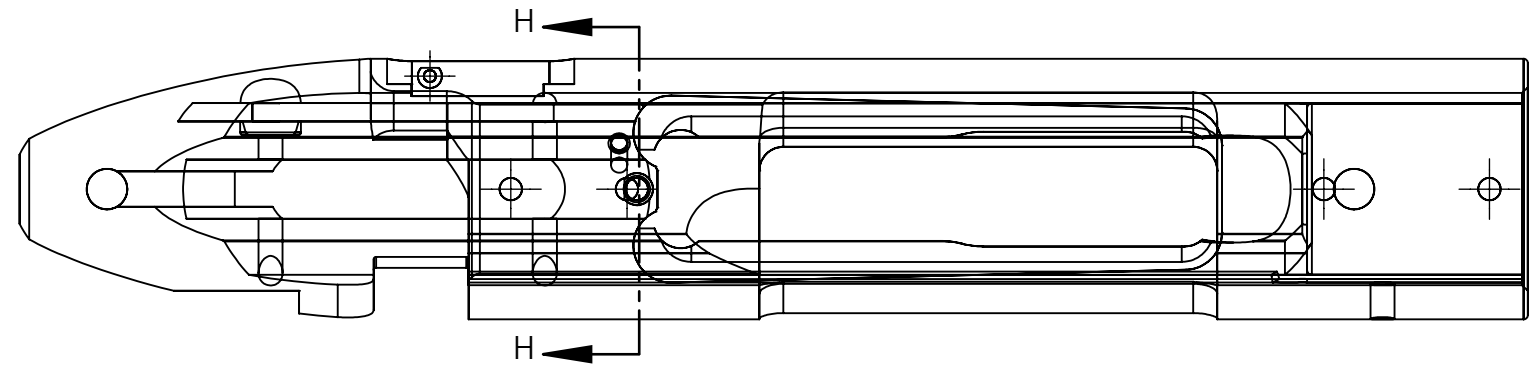
B

B



.547

SECTION H-H
SCALE 2 : 1



H
H

A

A

PROPRIETARY AND CONFIDENTIAL
 THE INFORMATION CONTAINED IN THIS DRAWING IS THE SOLE PROPERTY OF LONGLES, INC. ANY REPRODUCTION IN PART OR AS A WHOLE WITHOUT THE WRITTEN PERMISSION OF LONGRIFLES, INC. IS PROHIBITED.

TOLERANCING: INCHES	
ANGULAR: +/- .5°	
LINEAR AND RADIUS:	
.01" = +/- .005"	
.001" = +/- .001"	
.0001" = +/- .0005"	
INTERPRET GEOMETRIC TOLERANCING PER:	
MATERIAL	
FINISH	
DO NOT SCALE DRAWING	

NAME	DATE
C. DIXON	2.7.17
CHECKED	
COMMENTS:	
VIEWS 3 AND 4. SEE ADDITIONAL PRINT(S) FOR FURTHER DETAIL.	
DIMENSIONS COMPATIBLE FOR BOTH M700 SA AND M700 LA. MIRROR FOR LH RECEIVERS.	

LONGRIFLES, INC.		
TITLE:		
EXTERNAL BOLT RELEASE INSTALL		
SIZE	DWG. NO.	REV
B		
SCALE: 1:1		SHEET 1 OF 1

4

3

2

1