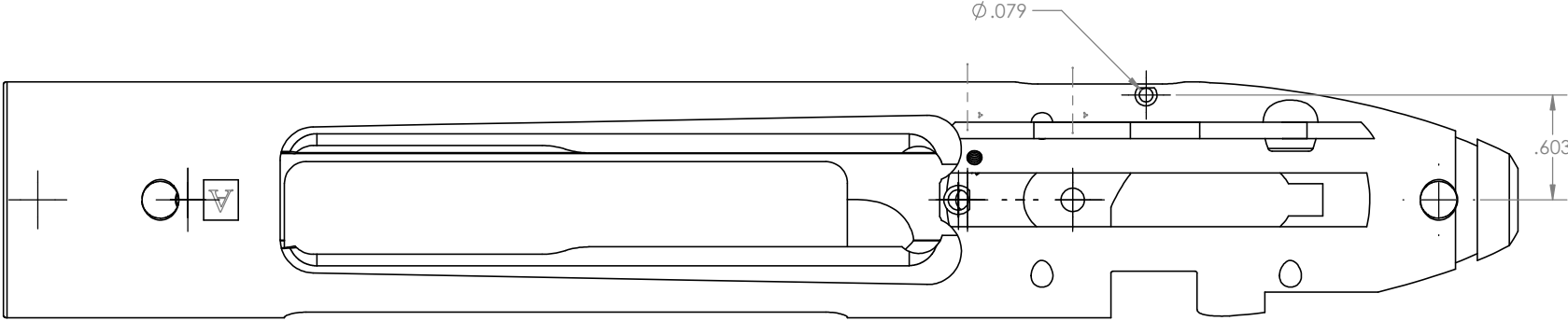
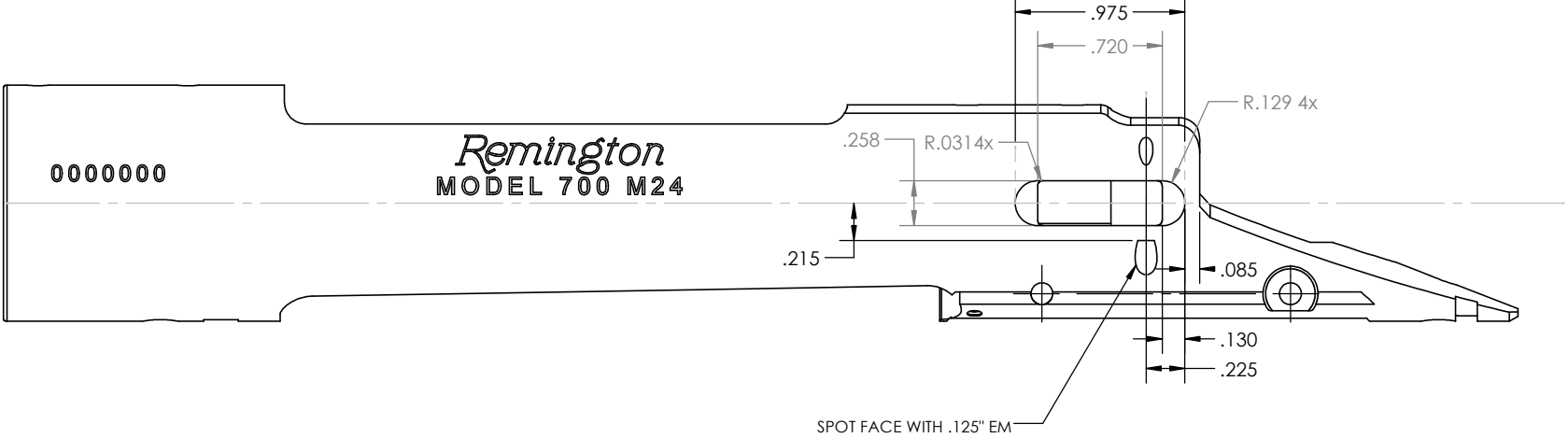


4

3

2

1



PROPRIETARY AND CONFIDENTIAL
THE INFORMATION CONTAINED IN THIS DRAWING IS THE SOLE PROPERTY OF LONGRIFLES, INC. ANY REPRODUCTION IN PART OR AS A WHOLE WITHOUT THE WRITTEN PERMISSION OF LONGRIFLES, INC. IS PROHIBITED.

TOLERANCING: INCHES		NAME	DATE
ANGULAR: +/- .5°		DRAWN	C. DIXON 2.7.17
LINEAR AND RADIUS: .01" = +/- .005"		CHECKED	
.001" = +/- .001"			
.0001" = +/- .0005"			
INTERPRET GEOMETRIC TOLERANCING PER:		COMMENTS:	
MATERIAL	NA	USE FOR BOTH SA OR LA. MIRROR ALL DIMENSIONS FOR LH ACTION.	
FINISH	NA	SEE ADDITIONAL PRINTS ONLINE FOR FURTHER DETAIL.	
DO NOT SCALE DRAWING			

LONGRIFLES, INC.		
TITLE: LRI M700 EXTERNAL BOLT RELEASE INSTALLATION		
SIZE	DWG. NO.	REV
B		
SCALE: 1.5:1		SHEET 1 OF 1

4

3

2

1

B

B

A

A