



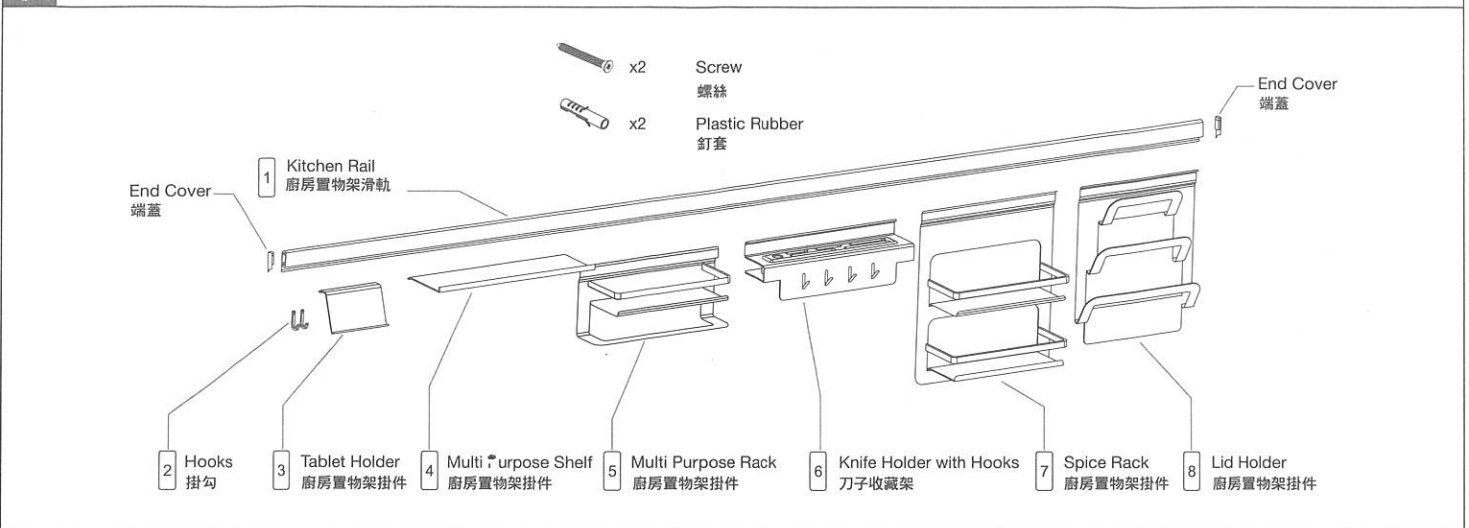
Installation instruction / 安裝說明書

523.00.301
523.00.3x0
495.34.810 - 818

i Cautions / 注意事項

- Please compare with installation and follow proper type to install products correctly.
- 請詳細閱讀安裝說明並按照正確步驟安裝產品。
- Periodical cleaning is suggested
- 建議定期進行清潔。
- Please do not apply any corrosive cleaner and rough material to clean this product.
- 請勿使用任何腐蝕性清潔劑及粗糙的海棉進行清潔。

P Product Collection List / 產品清單系列



1 Assemble Step / 安裝步驟

1

Cabinet

160 < L < 180

Fix the location, the distance between kitchen rail with cabinet from 160 to 180 mm.
在廚房軌道及櫃子之間留下160~180mm的間隔。

2

Mesaure the wall, make the hole on the mark, the deep is about 3 mm.
量測間距並用麥克筆紀錄位置，深度大約3mm。

3

Insert plastic rubber into wall by hammer.
將釘套使用槌子敲進牆面。

4

ASSEMBLE SINGLE KITCHEN RAIL

Fix the kitchen rail by screw, then put into kitchen rail, assemble the end cover.
使用螺絲安裝廚房軌道，並將端蓋安裝上去。

5

ASSEMBLE PIECES OF KITCHEN RAIL

Same as both right and left, assemble the two or more pieces at the same level.
如需加長廚房軌道，按照之前步驟另外安裝右側及左側，安裝應保持水平。

2 Assemble Step / 安裝步驟

2 Hooks
掛勾

Rotate 90 Degree after inserting
安裝後旋轉90度。

3 Tablet Holder

4 Multi Purpose Shelf

2 Hooks
掛勾

Rotate 90 Degree after inserting
安裝後旋轉90度。

5 Multi Purpose Rack

6 Knife Holder with Hooks

7 Spice Rack

8 Lid Holder