

DATA SHEET
Qt® EMITTER
SOUND MASKING
LOUDSPEAKER



Qt® Emitters are the backbone of the QtPro™ sound masking system. Qt Emitters are wide dispersion (nearly 180 degrees) direct field loudspeakers with 1.25" (3.17 cm) drivers and are smaller than a coffee mug. Emitters have DIP switches that allow their volume to be reduced 9 dB in 3 dB decrements. Emitters deliver four uncorrelated audio channels, automatically eliminating phasing. Emitters are plenum-rated, UL-listed, and comply with UL 2043. Each Emitter comes standard with a slip-ring mount for acoustical tile mounting. These features, along with plug and play installation and easy configuration capability, make QtPro systems the most intelligently engineered and most effective sound masking systems on the market today.

FEATURES

- Wide dispersion direct field speakers with 1.25" (3.17 cm) drivers
- Small driver size results in nearly 180° dispersion of direct field sound masking
- Reduces acoustical interference by using four uncorrelated channels
- DIP switches attenuate the volume level up to 9 dB in 3 dB decrements for easy micro-zoning
- Plug and play installation and easy configuration
- Comes standard with slip ring for acoustical tile mounting
- CE marked, UL listed, and RoHS compliant
- Evaluated to the requirements of UL 2043 and is suitable for use in air handling spaces
- Covered by Biamp Systems' five-year warranty

ARCHITECTS & ENGINEERS SPECIFICATION

The emitter shall consist of a single 1.25" (3.17 cm) full range transducer installed in a sealed airtight enclosure. The enclosure and grill shall be one piece with material meeting UL Standard 2043 requirements for heat and smoke release in accordance with the provisions of the following codes: National Electric Code, NFPA 70; International Mechanical Code, NFPA 5000; Standard for the Installation of Air Conditioning and Ventilating Systems, and NFPA 90A. The emitter shall be provided with internal logic to automatically sequence 4 channels of mutually incoherent masking sound generators when connected with standard CAT type cables. Input and output receptacles shall be standard RJ-45 quick connect network type with positive locking. A twist-and-lock mounting ring shall be provided for quick and secure mounting in ceiling materials. The enclosure shall provide a secondary attachment for a security cable where required by local authorities. Warranty shall be 5 years. The emitter shall be a Qt® Emitter.

Qt EMITTER SPECIFICATIONS

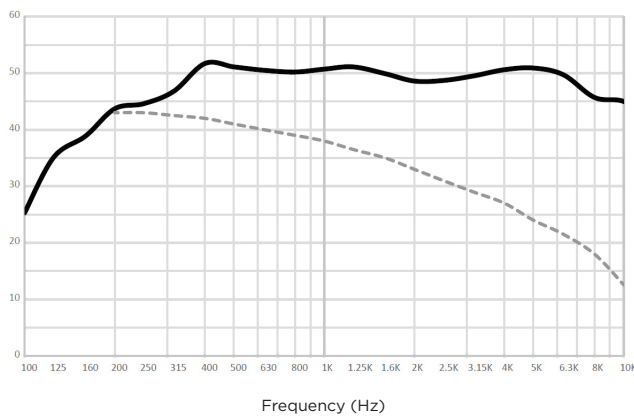
Loudspeaker Type:	Passive with transformer	Maximum Power Consumption:	.02 W
Frequency Response¹:		Driver Diameter:	1.25" (32mm)
Sound Masking:	200Hz to 6.3kHz	Enclosure:	Sealed
Music/Paging:	200Hz to 10kHz	Color:	White
SPL¹:		Product Dimensions	
Minimum Masking SPL² (@ 1m):	30dBA	Overall Diameter:	3.25 inches (83mm)
Maximum Masking SPL² (@ 1m):	60dBA	Depth:	2.5 inches (64mm)
Maximum Music/Paging SPL³ (@ 1m):	62dBA	Weight:	5.6 oz. (159g)
Nominal Impedance:	3.6 kΩ	Included Accessories:	Acoustic Ceiling Tile Mounting Ring UTP Cable (16ft/30ft)
Nominal Dispersion:	170° conical / half space	Compliance:	UL and C-UL listed (USA and Canada) CE Marked (Europe) RoHS Directive (Europe) Evaluated to the requirements of UL 1480a and UL 2043 and is suitable for use in air handling spaces
Channel Selection:	4 Auto-Sequencing and Repeating Channels		
Selectable Attenuation:	0 dB, -3 dB, -6 dB, -9 dB		
I/O Connectors:	2 RJ-45 connectors		
Cabling:	Category UTP Cabling (8 conductor)		

¹ Specifications based on emitter array using published layout practices in conjunction with Qt Control Processor.

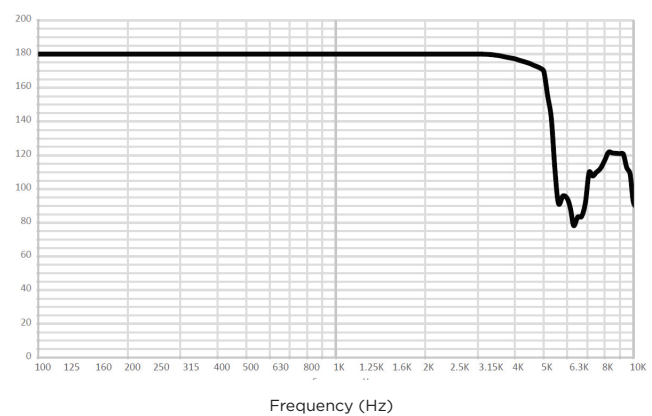
² Bridge Mode Cable will increase Masking Min and Max SPL by + 3 dB from levels indicated.

³ Bridge Mode Cable will increase Music / Paging Max SPL by + 6 dB from levels indicated.

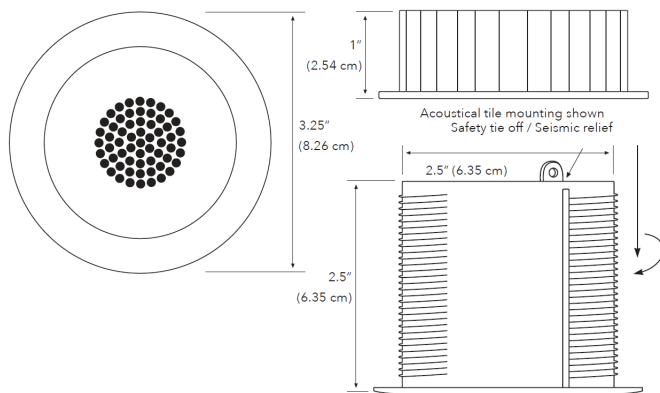
FREQUENCY RESPONSE (dB SPL)



BEAMWIDTH (Degrees)



DIMENSIONS



OPTIONAL ACCESSORIES

Description	SKU
Universal Bracket	UB-(B = Black / W = White)
Drywall Mount	DM
Beam Bracket	BB-(B = Black / W = White)
Drywall Conduit Mount	CM
Plenum Back Can	PB
Emitter Cap (Black)	EC-B
Emitter Cap (White)	EC-W
Room Control	QT-RC2

Biamp, Cambridge, Qt, and QtPro are either trademarks or registered trademarks of Biamp Systems, LLC in the United States and other countries. Other product names referenced may be trademarks or registered marks of their respective owners and Biamp Systems is not affiliated with or sponsored by these companies.