



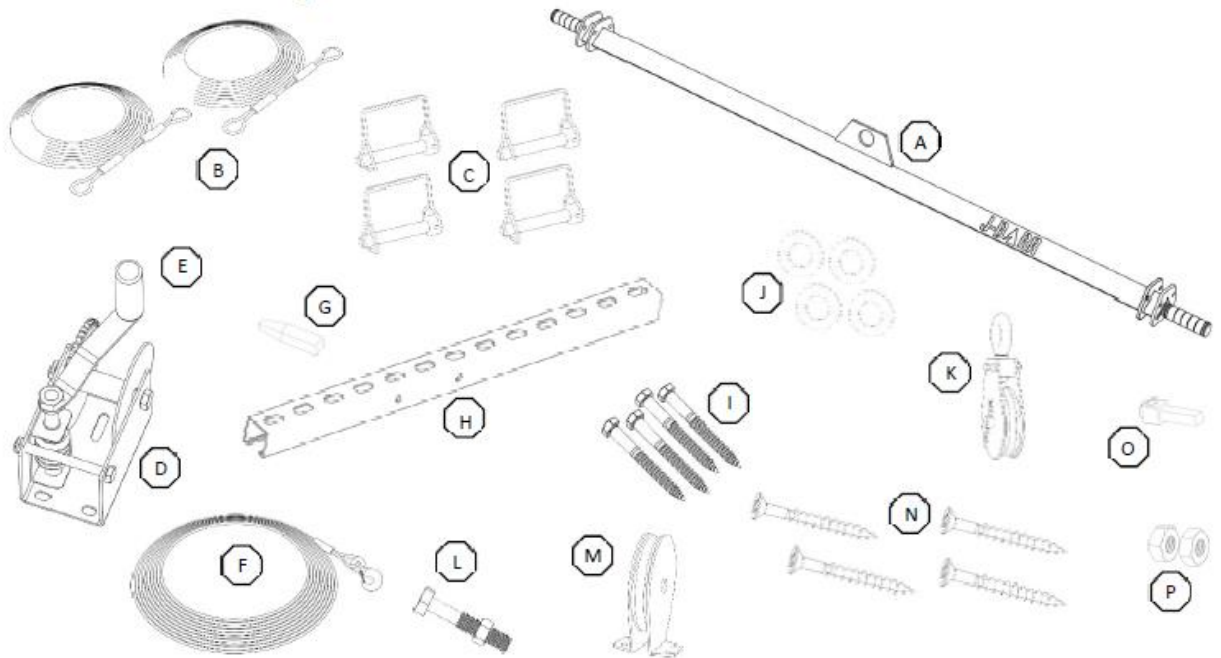
Installation Guide

Installation Guide Contents

Included Components.....	2
Required Tools	3
J-BARR Ceiling Mounting Instructions	4
Locating Studs and Preparation for Ceiling Rail Mounting.....	4
Marking and Drilling Pilot Holes for Ceiling Rail Mounting	5
Marking and Drilling Pilot Holes for Ceiling Rail Mounting (cont.).....	6
Mounting the Ceiling Mount Pulley on	7
Installing the Corner Mount Pulley and Winch.....	8
Installing the Winch.....	9
Feeding the Lifting Cable Through the Corner Mount Pulley	10
Feeding the Lifting Cable and Installing the Worm Gear	11
Winding the Lifting Cable and Attaching the J-BARR	12
Appendix	13
A. J-BARR Vehicle Attachment Instructions (Wrangler)	13
B. J-BARR Vehicle Attachment Instructions (Gladiator)	15
C. J-BARR Vehicle Attachment Instructions (Bronco)	21

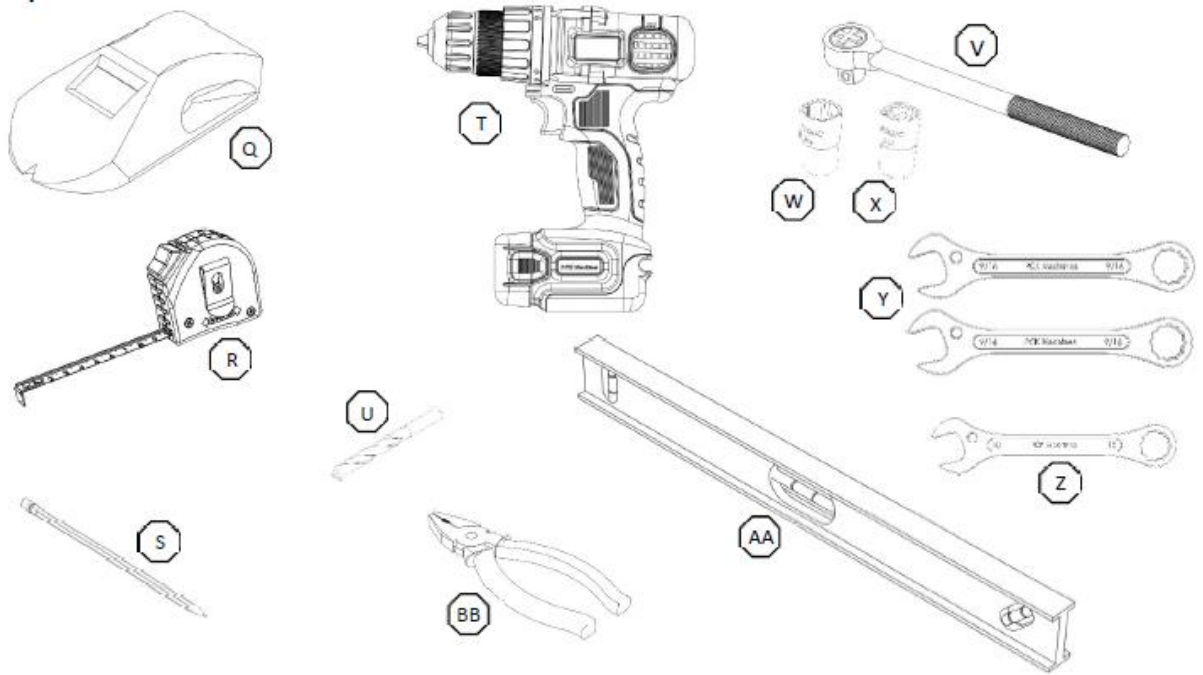


Included Components



Reference Letter	Description	Qty.
A	J-BARR	1
B	Attachment Cable	2
C	Locking Pin	4
D	Winch	1
E	Winch Handle	1
F	Lifting Cable	1
G	1/4" Square Drive	1
H	26" Ceiling Rail	1
I	Lag Bolt	4
J	Washer	4
K	Ceiling Mount Pulley	1
L	9/16" Bolt and Nut	1
M	Corner Mount Pulley	4
N	Wood Screw	1
O	3/8" Square Drive Drill Adapter	1
P	3/4" Nut - for winch operation	2

Required Tools



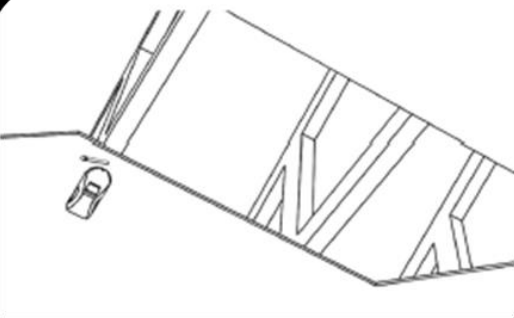
Reference Letter	Description	Qty.
Q	Stud Finder	1
R	Tape Measure	1
S	Pencil	1
T	Power Drill	1
U	3/16" Drill Bit	1
V	Ratchet	1
W	3/4" Socket	1
X	1/2" Socket	1
Y	9/16" Wrench	1
Z	10mm Wrench	1
AA	Bubble Level	1
BB	Pliers (Optional)	1



J-BARR Ceiling Mounting Instructions

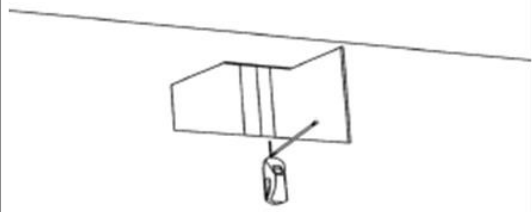
Locating Studs and Preparation for Ceiling Rail Mounting

1



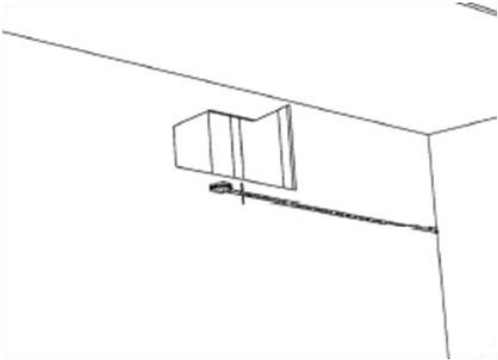
Using the stud finder (Q) and pencil (S) mark the ceiling joists located directly above your parking area.

2



Using the stud finder (Q) and pencil (S) mark a wall stud centered on your parking area.

3



Measure from an adjacent wall to the center of the wall stud measured in Step 2.

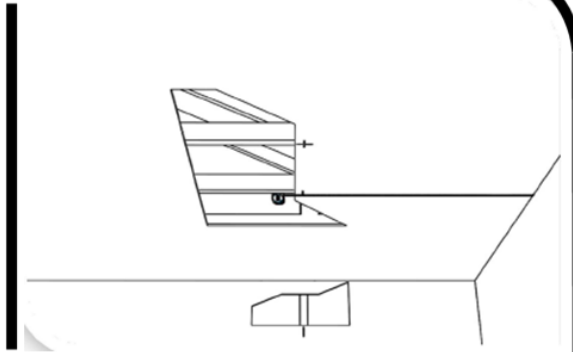
Measurement _____

Marking and Drilling Pilot Holes for Ceiling Rail Mounting

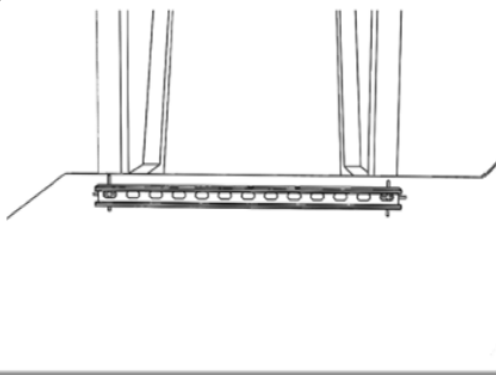
4

Mark pilot hole locations for the ceiling rail (H) using the measurement from Step 3.

Note: It is recommended to install the ceiling rail (H) in line with the wall stud and across two joists. If a single joist is used, mark pilot holes 18" or more apart and align with ceiling rail slots



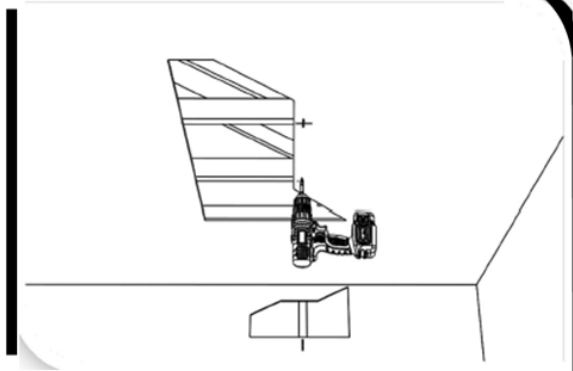
5



Hold the ceiling rail (H) up to your marks from Step 4 to ensure they match up with the ceiling rail slots (H).

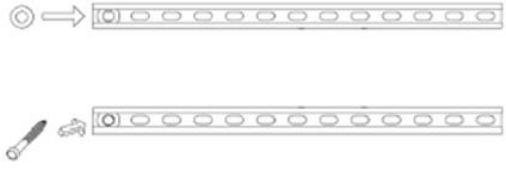
6

Drill two 3/16" pilot holes with the drill (T) and drill bit (U).



Marking and Drilling Pilot Holes for Ceiling Rail Mounting (cont.)

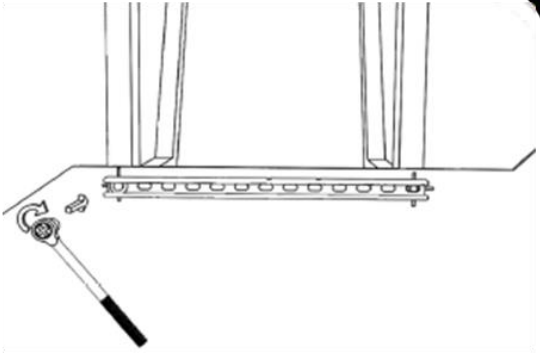
7



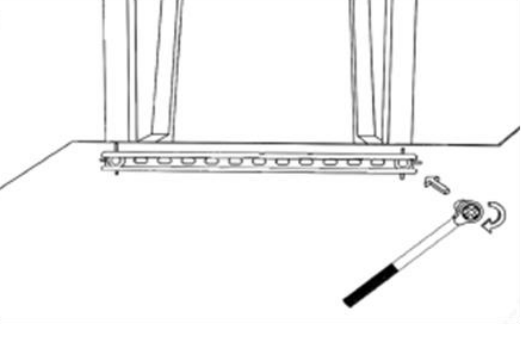
Slide one washer (J) inside the ceiling rail (H) and line up the correct slot found in Step 5

8

Drill two 3/16" pilot holes with the drill (T) and drill bit (U).



9



Measure from an adjacent wall to the center of the wall stud measured in Step 2.

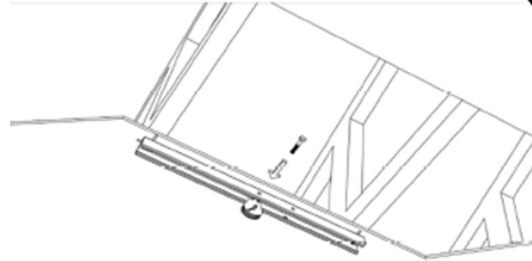
Measurement _____

Mounting the Ceiling Mount Pulley

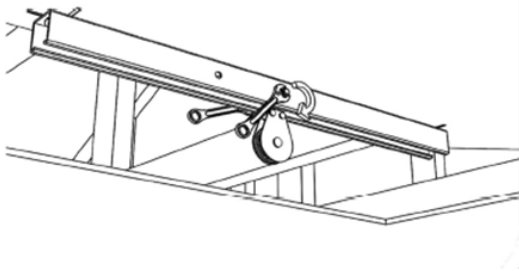
10

Hold the ceiling mount pulley (K) in position between the center set of horizontal holes on the ceiling rail (H) and push the bolt (L) through.

Note: The bolt (L) may need to be screwed through the holes if too tight to push through due to paint.



11

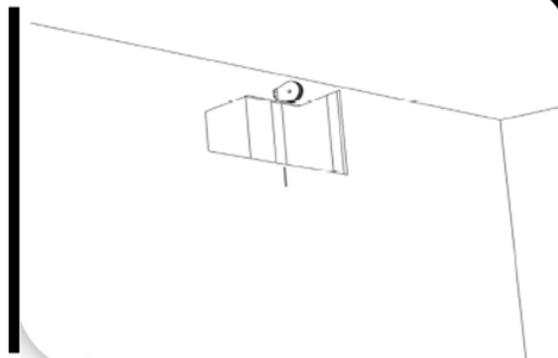


Tighten the nut (L) onto the bolt (L) using two 9/16" wrenches (Y)

12

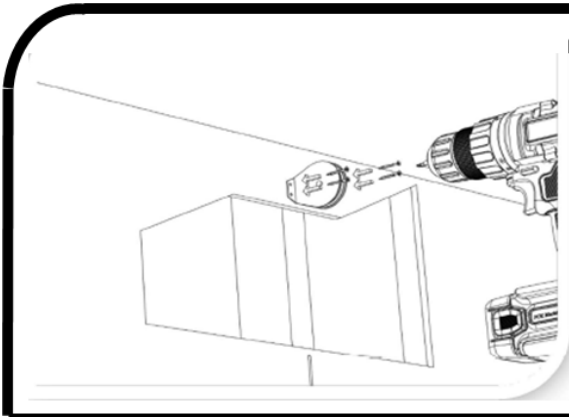
Hold the corner mount pulley (M) along the top edge of the wall at the stud marked in Step 2.

Note: It is recommended to install the corner mount pulley (M) at the same height as the ceiling mount pulley (K) so that the lifting cable will be horizontal.



Installing the Corner Mount Pulley and Winch

13

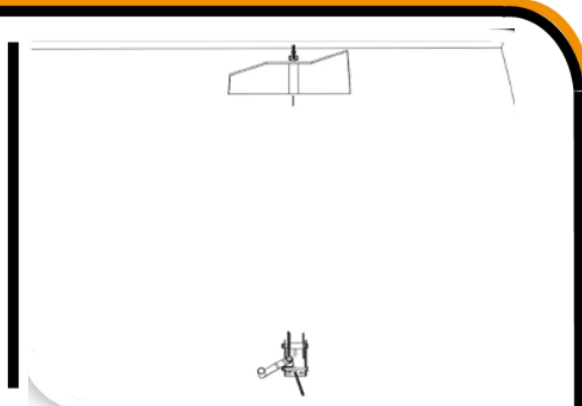


Install the corner mount pulley (M) using the drill (T), $\frac{1}{4}$ " square drive (G) and the four self-starting wood screws (N).

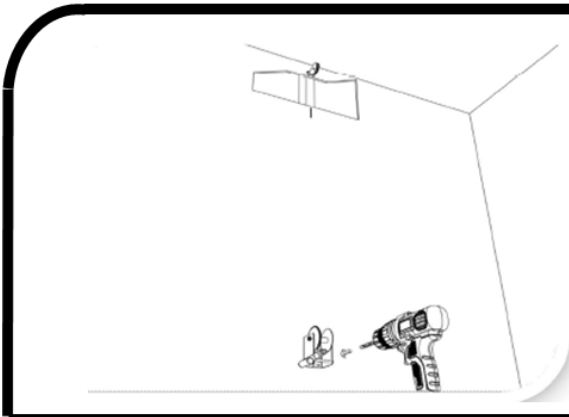
14

Hold the winch (D) at a comfortable height centered on the stud used in Step 13.

Mark two pilot hole locations.



15



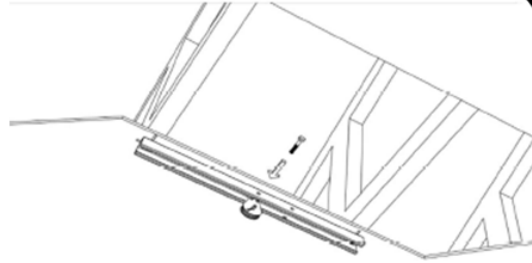
Drill two $\frac{3}{16}$ " pilot holes at the locations marked in Step 14 with the drill (T) and drill bit (U).

Installing the Winch

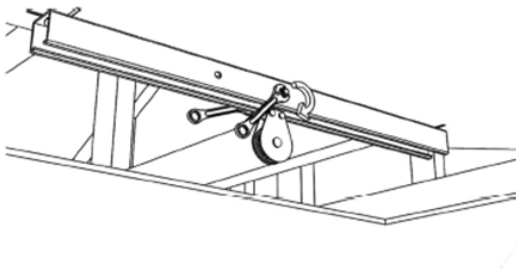
16

Using the $\frac{1}{2}$ " socket (X) and ratchet (V) (or $\frac{1}{2}$ " socket (X), drill (T) and $\frac{3}{8}$ " square drive drill adapter (O)), screw the lag bolt (I) into the bottom pilot hole.

Note: Leave the lag bolt (I) loose to allow for adjustment.



17

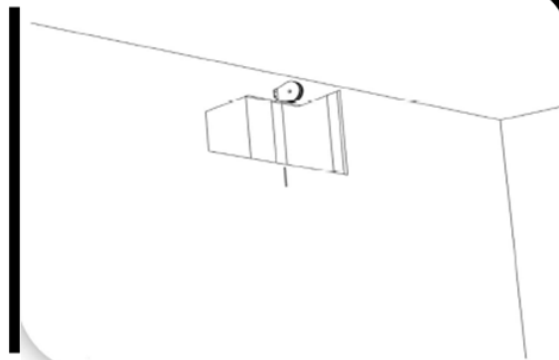


Tighten the nut (L) onto the bolt (L) using two $\frac{9}{16}$ " wrenches (Y)

18

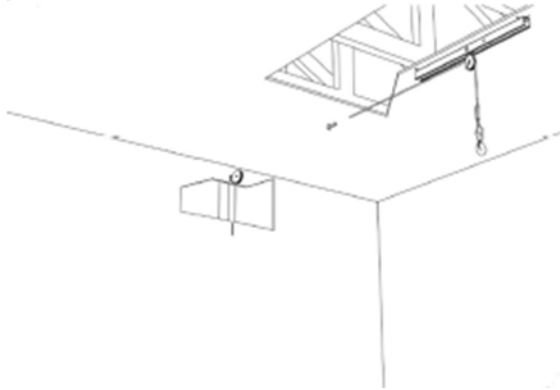
Hold the corner mount pulley (M) along the top edge of the wall at the stud marked in Step 2.

Note: It is recommended to install the corner mount pulley (M) at the same height as the ceiling mount pulley (K) so that the lifting cable will be horizontal.



Feeding the Lifting Cable Through the Corner Mount Pulley

19

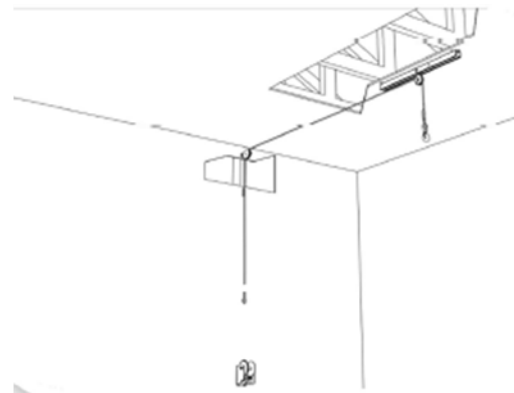


Feed the lifting cable (F) through the ceiling mount pulley (K) toward the corner mount pulley (M).

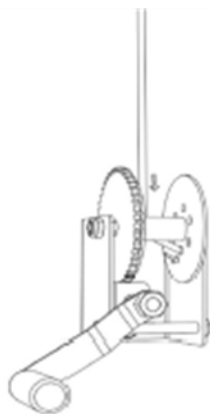
20

Feed the lifting cable (F) through the corner mount pulley (M) toward the winch (D).

Note: The pin and wheel may need to be removed temporarily to thread the cable through.



21



Feed the lifting cable (F) down the back side of the winch spool (D).

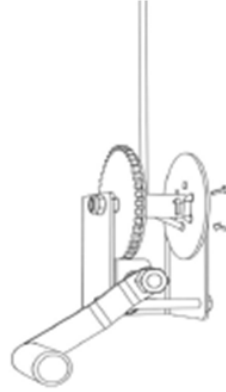
Pull the lifting cable (F) toward you along the bottom of the winch spool

Feeding the Lifting Cable and Installing the Worm Gear

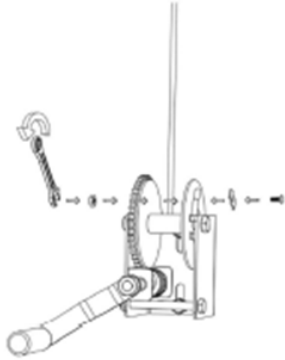
22

Feed the lifting cable (F) back in through a second hole on the edge of the winch spool (D).

Feed the lifting cable (F) back out through a third hole on the edges of the winch spool (D).



23



Place the cable clamp – included with the winch (D) – over the end of the lifting cable (F) and tighten the nut onto the bolt with the 10mm wrench (Z).

24

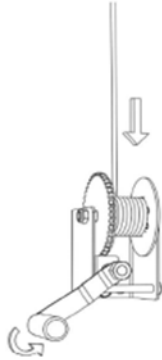
Using the $\frac{3}{4}$ " socket (W) and ratchet (V), tighten the nuts (P) – included with the winch (D) – onto the worm gear.

Note: If you plan to use the included winch handle (E), install it onto the worm gear between the nuts (P).



Winding the Lifting Cable and Attaching the J-BARR

25

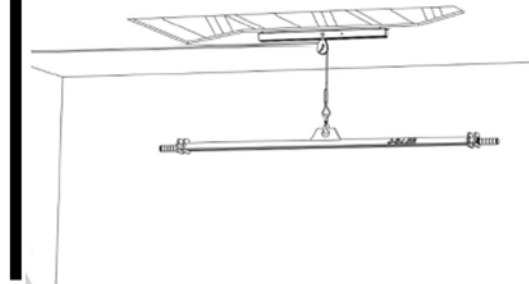


Wind the lifting Cable(F) onto the winch spool (D) using either the winch handle or power drill (T).

26

Clip the J-BARR (A) to the lifting cable (F).

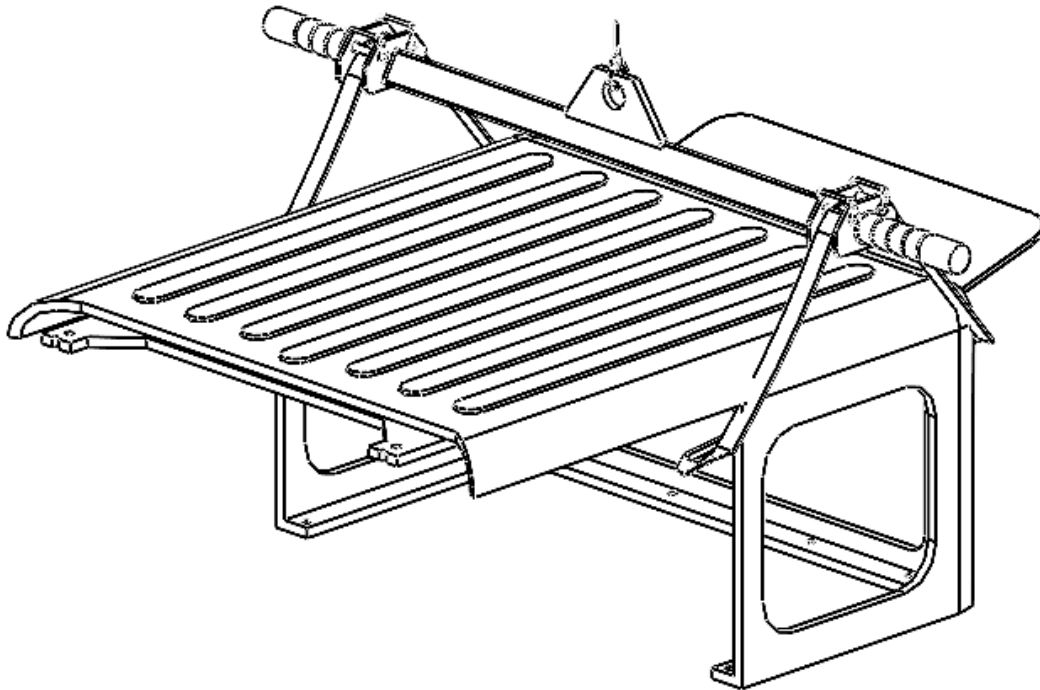
Enjoy!





Appendix

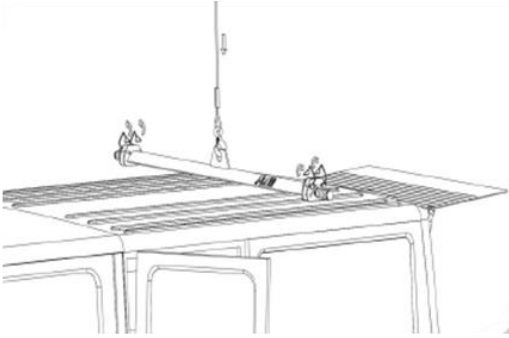
A. J-BARR Vehicle Attachment Instructions (Wrangler)





Attaching the J-BARR to the Wrangler hardtop

A

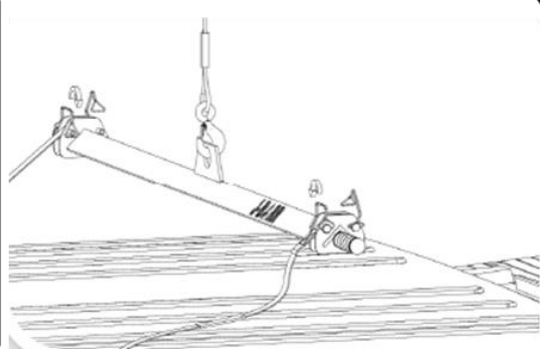


Lower the J-Barr (A) to just above the hardtop.


Open the four locking pins (C).

B

Slip one end of each attachment strap (B) into place two of the locking pins (C) and close those two locking pins.



C



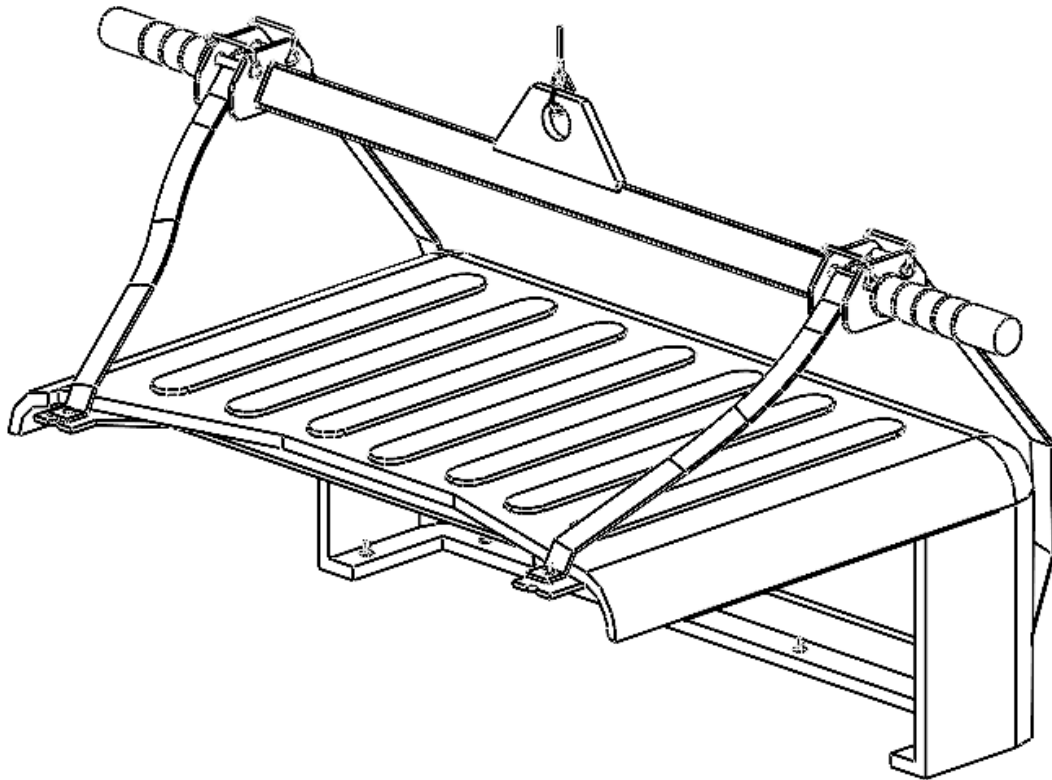
Marker sewn into strap at 21" to achieve correct balance (both straps)

Feed the attachment straps (B) to the underside of the hardtop – through the rear door opening and rear window opening – and back up to the two open locking pins (C). Use the marker sewn into the straps as a starting balance point.

Close the last two locking pins (C) and raise the hardtop using the winch (D).

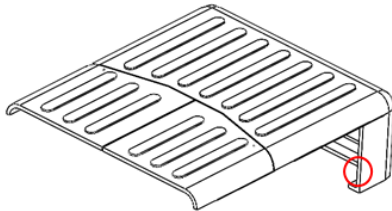


B. J-BARR Vehicle Attachment Instructions (Gladiator)



Disconnecting Electrical Wiring from the Hardtop

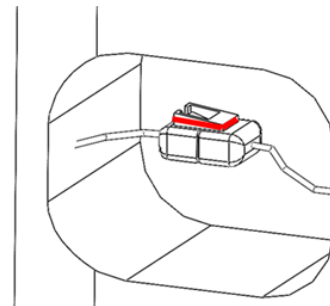
B1



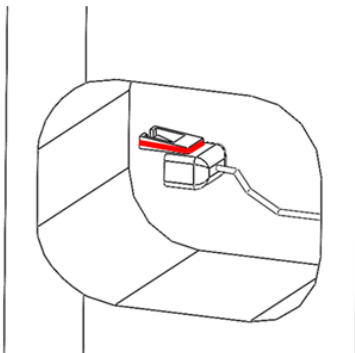
Gather the required tools for removal of the hardtop using the J-BARR

B2

Locate the electrical connector near the rear passenger door on the driver's side.



B3



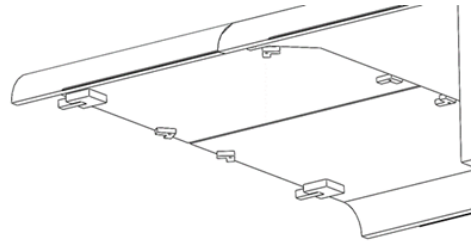
Slide the red pull tab and depress the black tab to disconnect the electrical connectors.

Note: At this point the rear seats can be folded down.

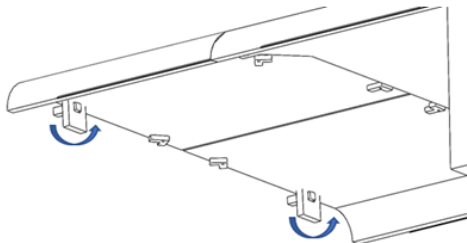
Removing the Gladiator Freedom Panels

B4

Locate the two latches securing the passenger's and driver's side freedom panels.



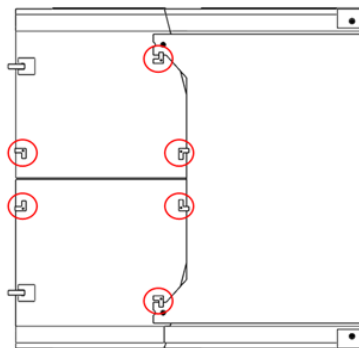
B5



Unlatch the latches securing the freedom panels.

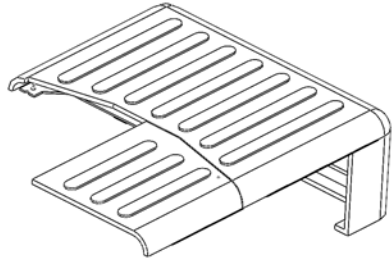
B6

Locate the L-latches that are securing the freedom panels



Detaching the Gladiator hardtop

B7

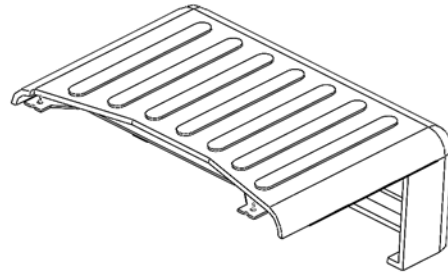


Remove the passenger's side freedom panel.

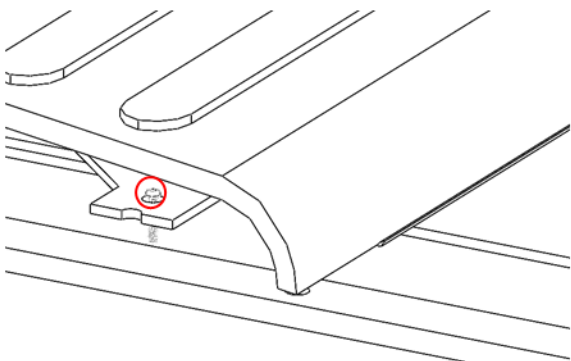
B8

Remove the driver's side freedom panel.

Prepare to remove bolts prior to attaching the J-BARR to the hardtop.



B9



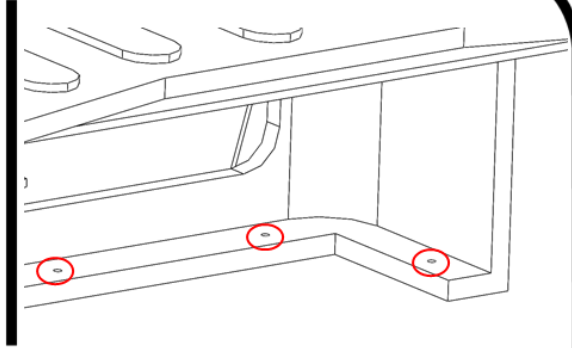
Remove the two front screws that are securing the hardtop.

Detaching the Gladiator hardtop and attaching J-BARR straps

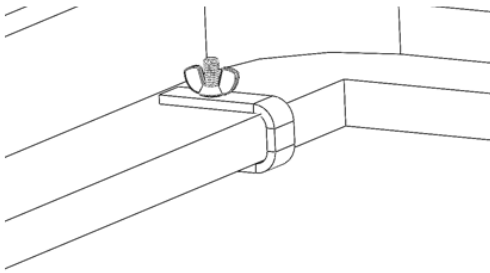
B10

Remove the remaining six bolts that attach the hardtop.

Note: Keep four bolts and their washers on hand for J-BARR attachment.



B11



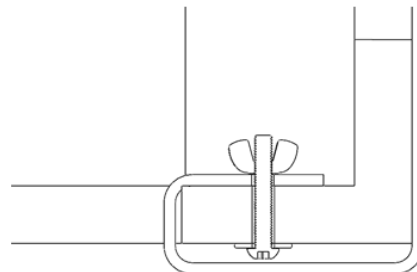
Using one of the bolts and washers, slightly lift your hard top and slide the strap underneath. The strap will loop upwards and be placed over the screw followed by the wing nut.

Note: Make sure the strap lays flat.

B12

Tighten the wing nut by hand and verify the configuration shown.

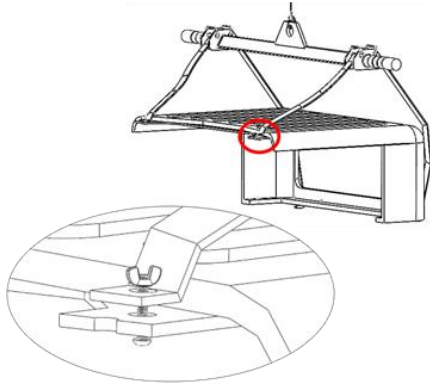
Note: The bolt should sit on top of the strap to prevent scratching surfaces.





Attaching the J-BARR to the Gladiator hardtop

B13



Using the last two bolts attach the straps to the upper-front bolt holes of the hardtop.

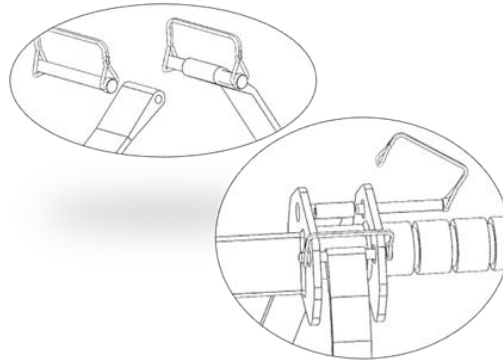
Attach the wingnuts to the bolt to secure the straps to the hardtop.

B14

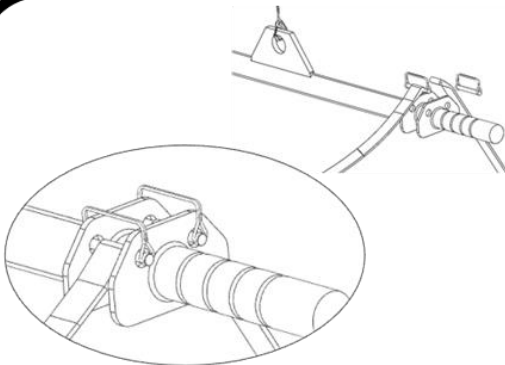
Now to attach the other end of each strap to the J-BARR.

Open the wire on the locking pins and fit the locking pins through the J-BARR openings.

As the locking pins are slid into the first openings on the J-BARR, slide the strap ends onto the bar of the locking pin.



B15



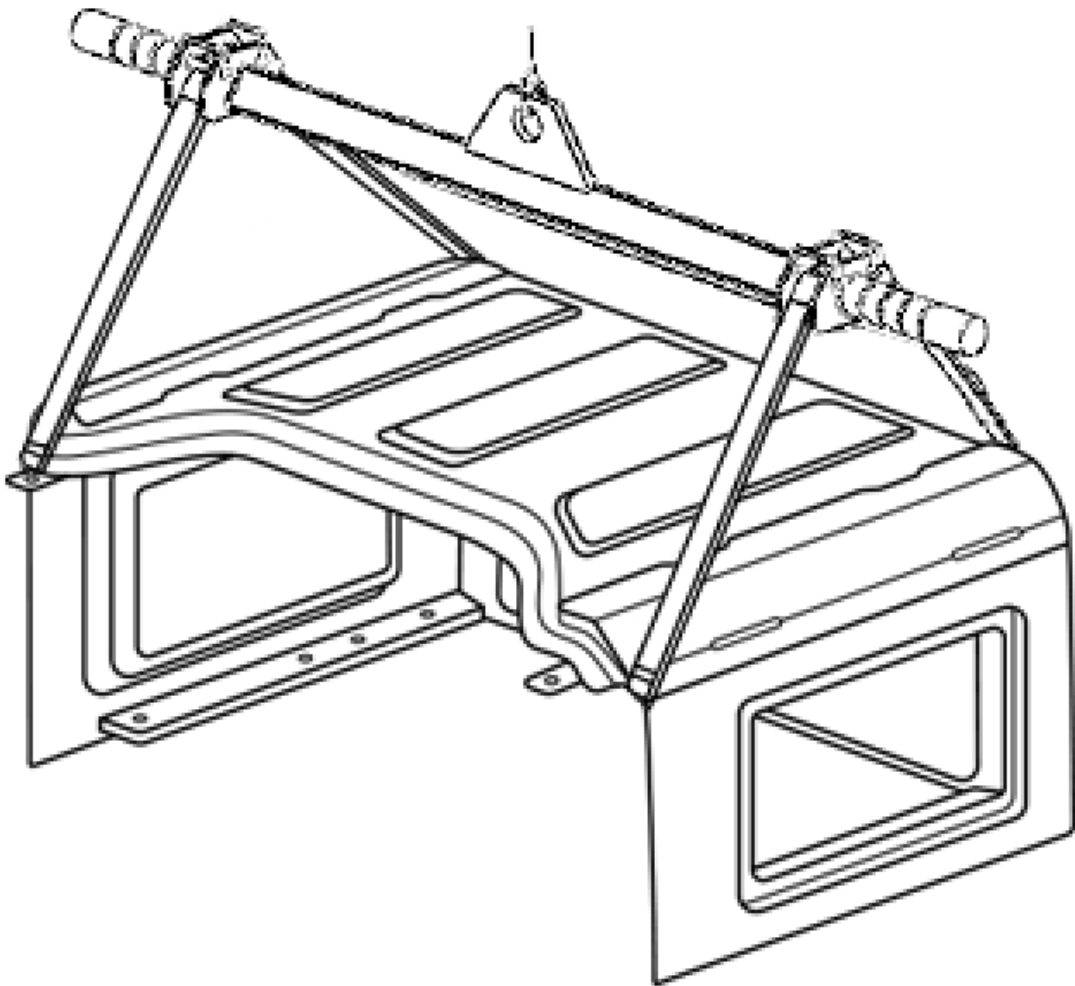
Slide the rod of the locking pin through the second opening on the J-BARR.

Close the locking wire on the J-BARR to secure the straps into the J-BARR assembly.

Enjoy!



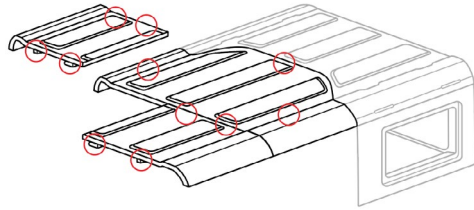
C. J-BARR Vehicle Attachment Instructions (Bronco)





A. J-BARR Vehicle Attachment Instructions (Bronco)

C1

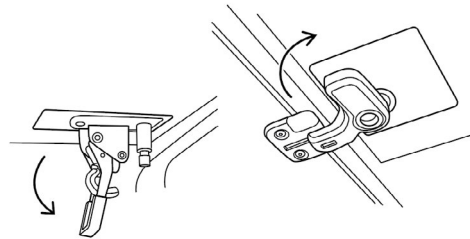


Start by removing the 3 hardtop panels by releasing the levers on each panel.

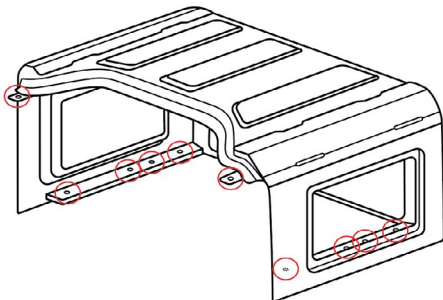
C2

Release the levers by rotating in their respective unlocking direction.

Release the latches by pulling downward.



C3

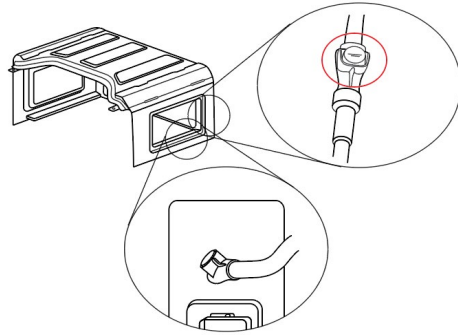


Remove 10 bolts securing the perimeter of the hardtop to the chassis.

Two on the top, and eight along the bottom.

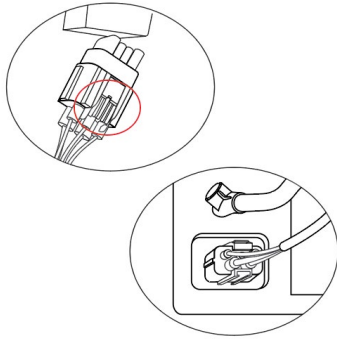
C4

Detach wiper fluid cable by depressing middle button and pulling downward. Store cable out of the way.



C5

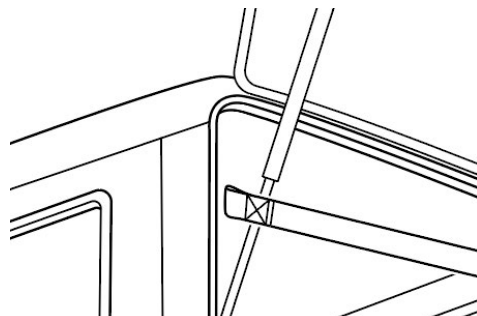
Remove and store power cable in similar manner by pressing down on middle tab.



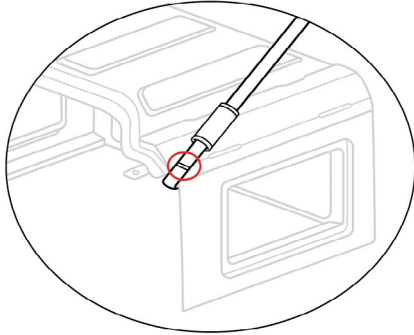
C6

Feed the strap through the back, making sure to go behind the pneumatic hinge.

Pull the strap through between the roll-bar and hardtop shell.



C7



Pull strap through to the front, until the orange strap is on the outside.
(Make Sure it rests HERE)

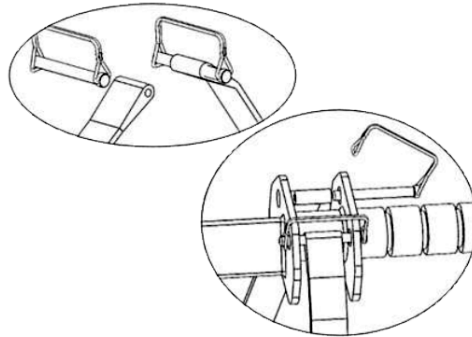
Attach to J-BARR and repeat.

C8

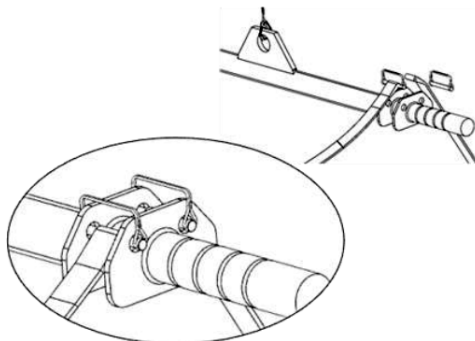
Now attach the strap to each end of the J-BARR.

Open the wire on the locking pins and fit the locking pins through the J-BARR openings.

As the locking pins are slid into the first openings on the J-BARR, slide the strap ends onto the bar of the locking pin.



C9



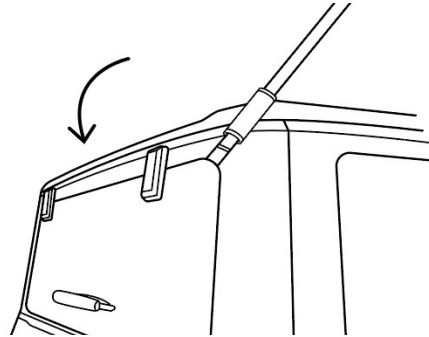
Slide the rod of the locking pin through the second opening on the J-BARR.

Close the locking wire on the J-BARR to secure the strap into the J-BARR assembly.

C10

Make sure to close the back window before raising the hardtop. If you keep your window open you may have to adjust where your straps are because the balance point will change for the hardtop.

Raise your hardtop!





Have questions or having trouble installing?

Please call us at 309-214-9393 or email us [@service@j-barr.com](mailto:service@j-barr.com)