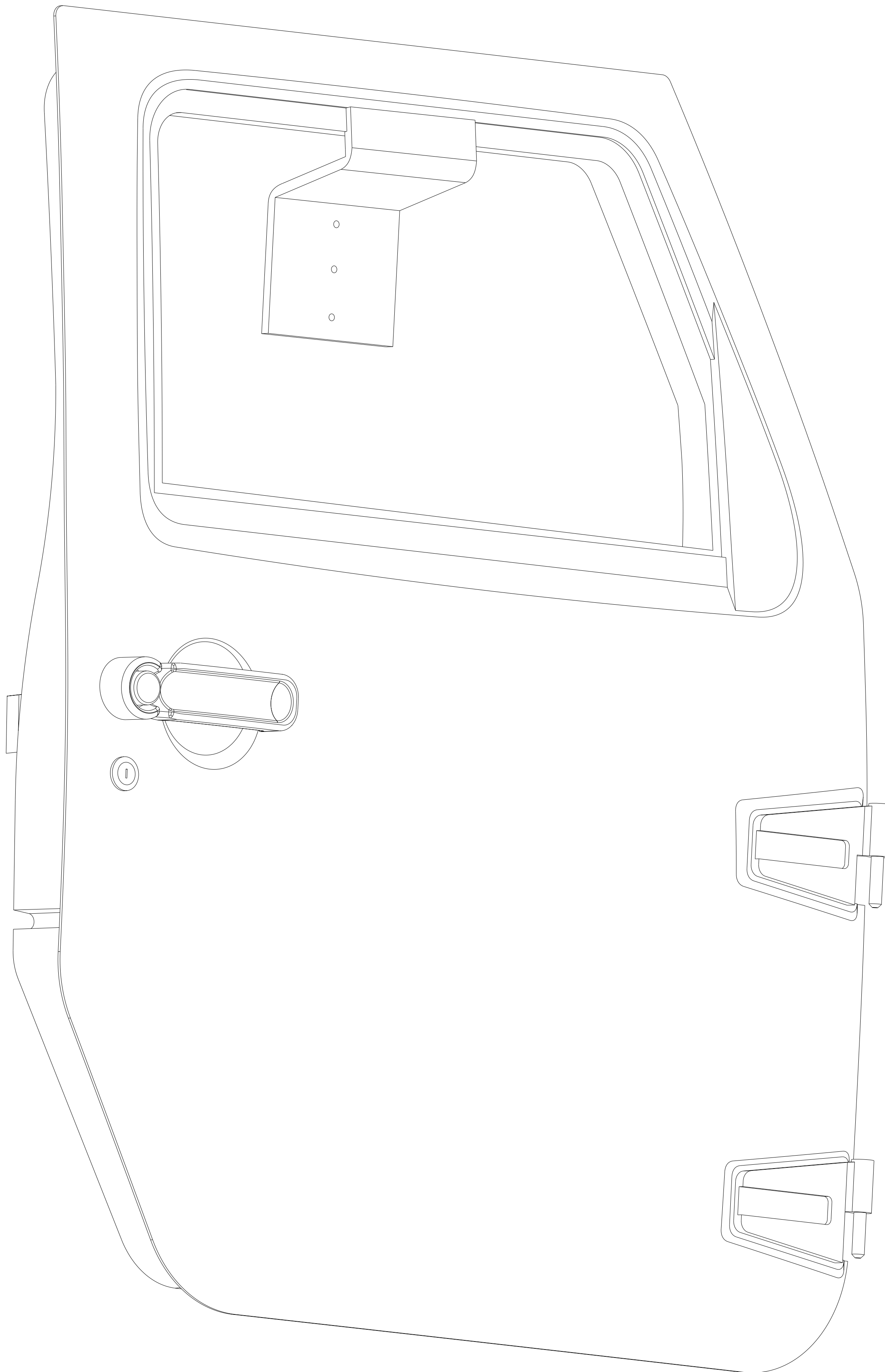


# INSTALLATION INSTRUCTIONS

## Door Hangs



**WWW.J-BARR.COM**

(309) 838-6249

# INTRODUCTION

Thank you for purchasing the J-BARR door hangs! We have designed these hangs to be strong and they are compatible with all Jeep Wrangler and Jeep Gladiator removable doors. Please read this document carefully to properly install the J-BARR door hangs.

# FEATURES

- Made from clear Lexan
- Two door hang options
- Three anchor points

# WARNING

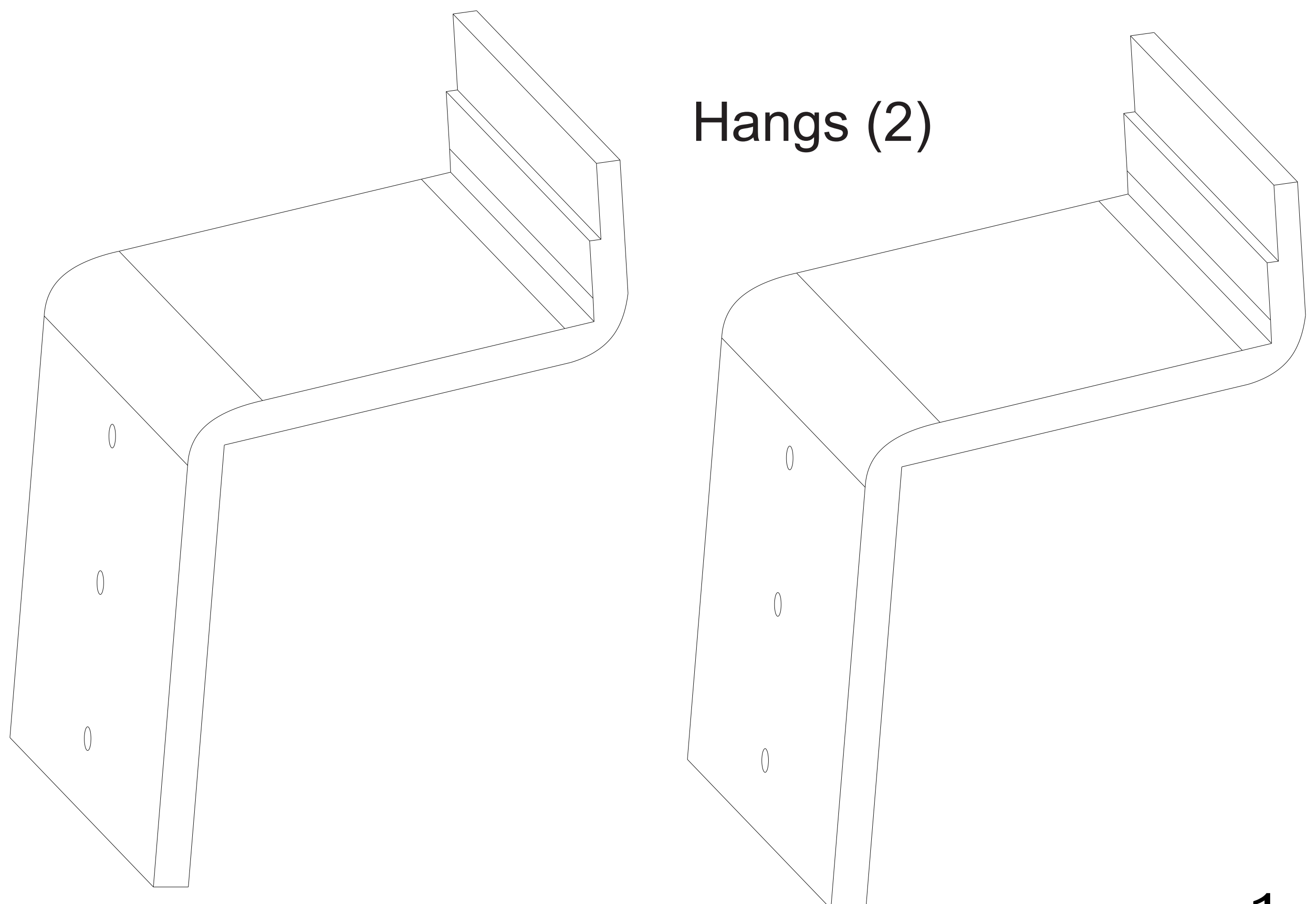
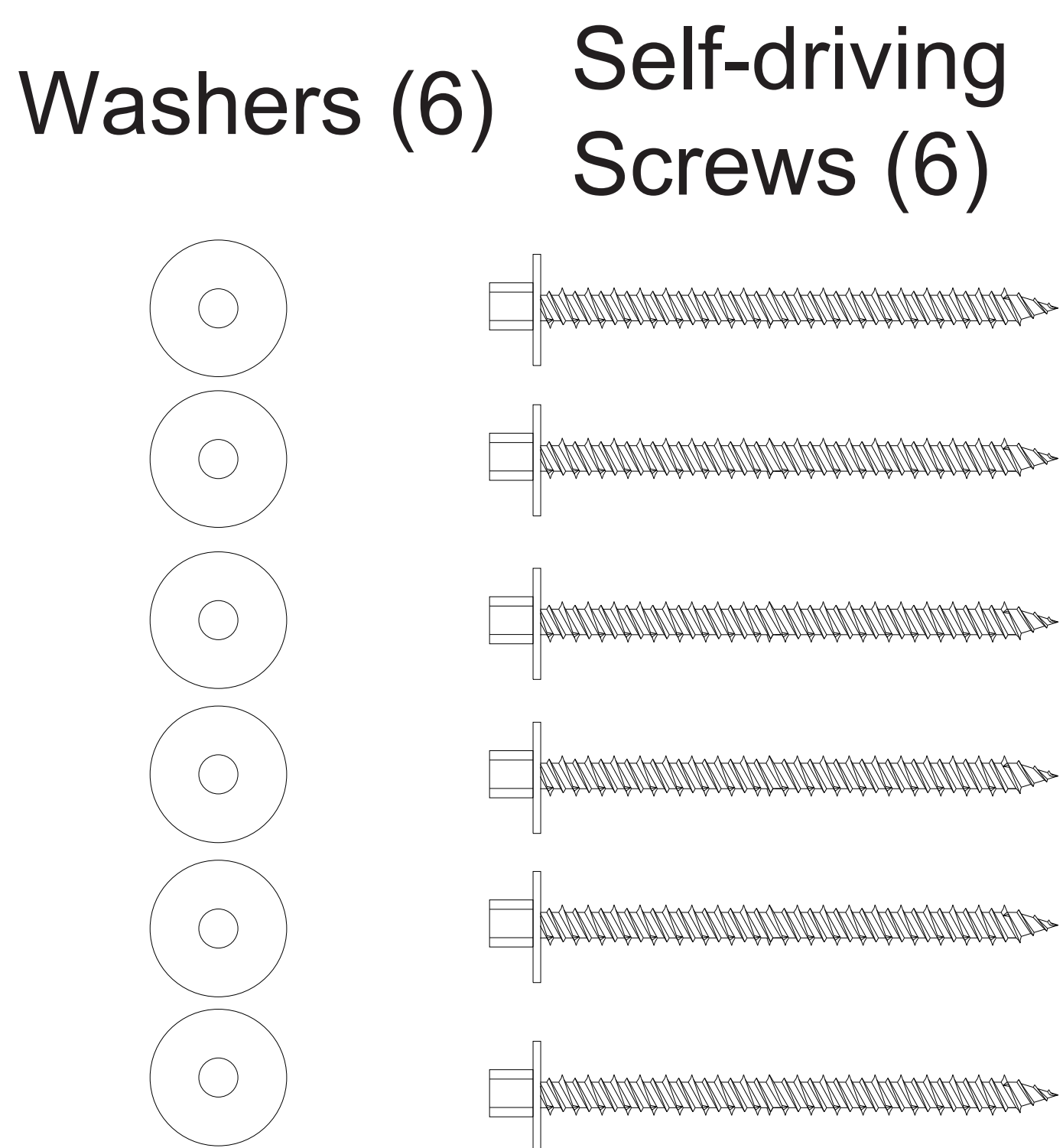
- Do not install on walls that have electrical lines or water lines inside.
- Do not install in high-traffic areas or at eye level to avoid injury.
- Never use the door hangs as hand holds and never climb on them.
- Always inspect screws periodically and tighten if loose.
- If any cracking occurs in the hangers, immediately remove them from service.
- Never hang anything besides Jeep doors on HANGS.

# TOOLS NEEDED

Stud finder, tape measure,  $\frac{3}{8}$ " bolt driver and pencil.

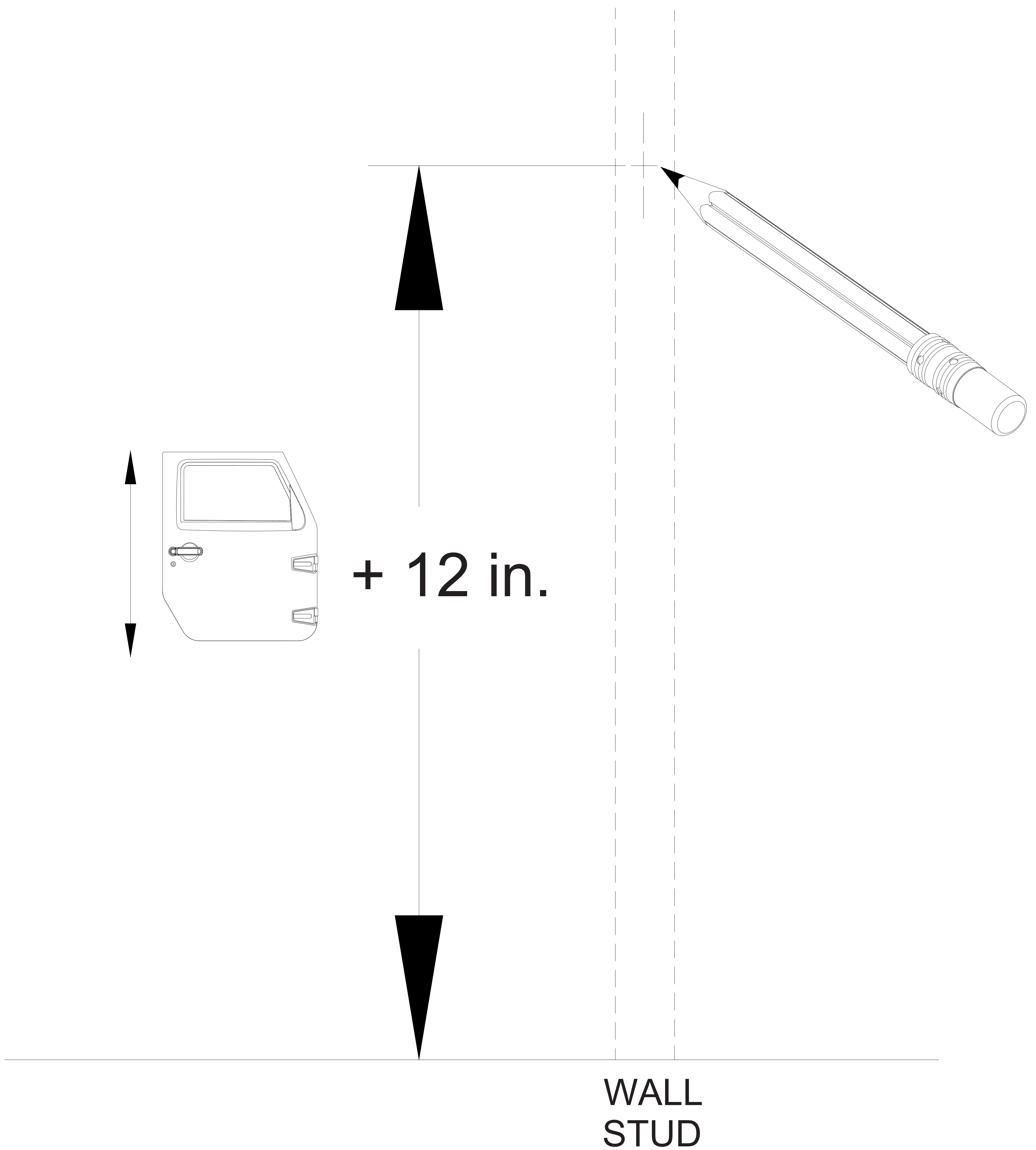
# PARTS LIST

Be sure to check that all parts are included below:



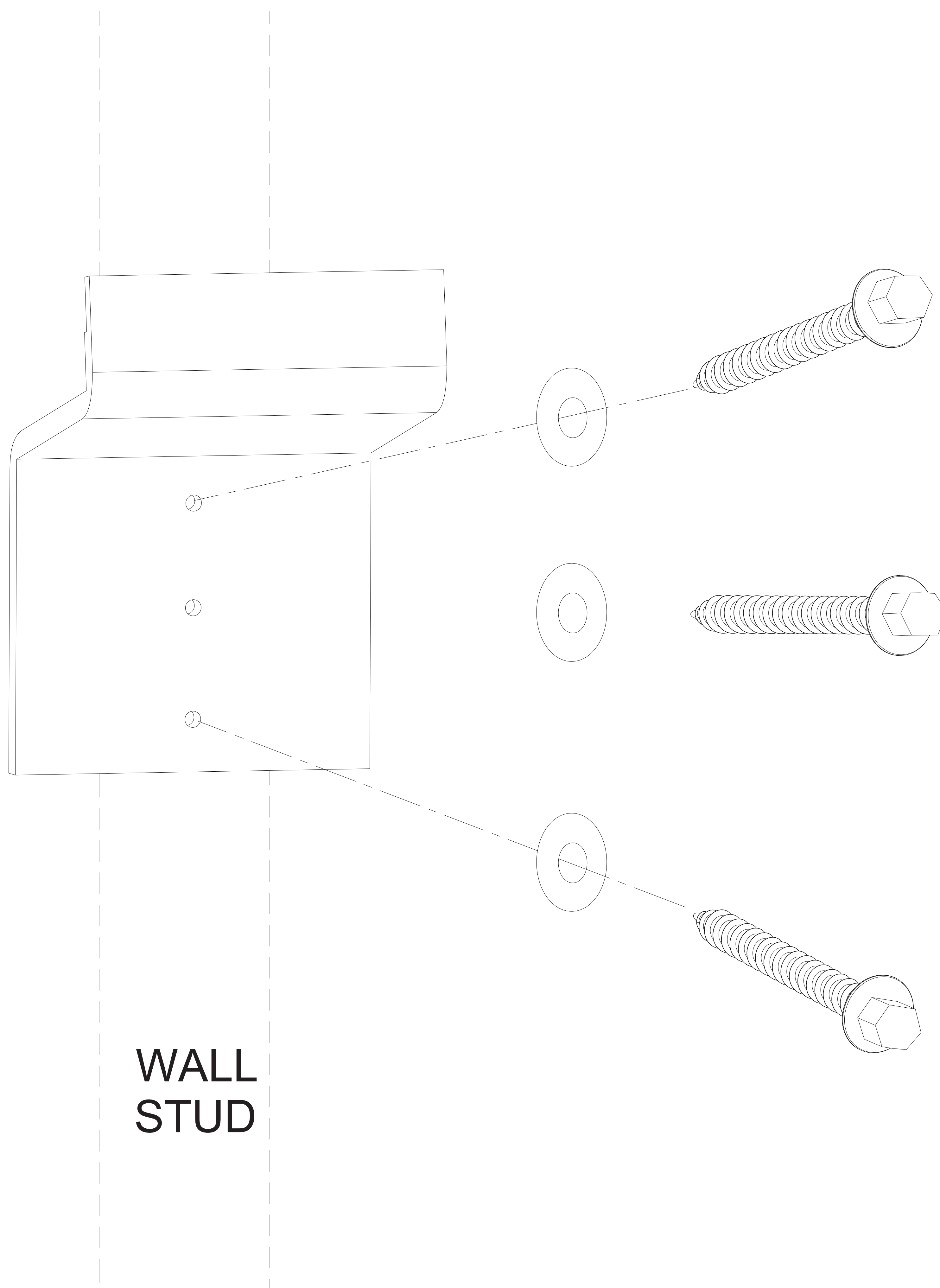
# INSTALLATION

1. Measure height of Jeep door with tape measure and add one foot.
2. Use stud finder to find a wall stud and mark height on wall with pencil.



## INSTALLATION (cont.)

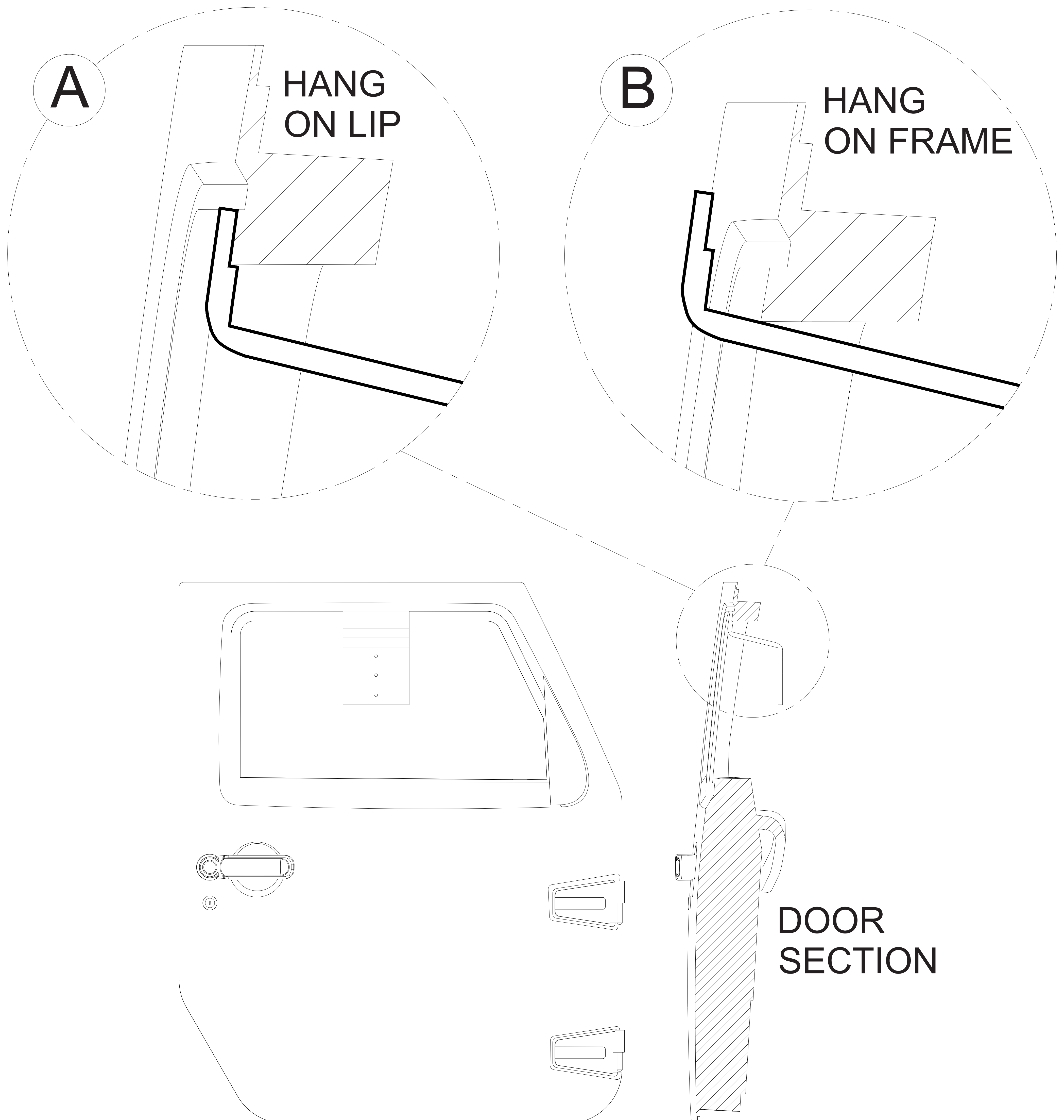
3. Position hang on wall (see below) - make sure holes align with wall stud.
4. Insert three screws into holes on hangs with screwdriver.





## INSTALLATION (cont.)

- Roll the Jeep door window down completely.
- To hang door by window lip - insert top of J-BARR HANGS inside window slot. Be sure the sill rests on groove in HANGS (see A).
- To hang door by window sill - insert J-BARR HANGS inside window (see B).



## ROUTINE MAINTENANCE

Check to see that all screws are tight - tighten if loose. If the HANGS are cracked or broken remove the product from service.

## DISCLAIMER

This Manual relates solely and exclusively to the J-BARR INC. HANGS including but not limited to the operation thereof. Failure to adhere to this manual or to properly focus on the recommended operation can result in injury and property damage. Always operate the J-BARR INC. products in a safe manner and in full compliance with this manual.

J-BARR INC. is not liable for any injuries or damages to any operators, property or bystanders incurred as a result of using the J-BARR products by its customers. J-BARR INC. also cannot be held liable for any and all errors in this manual or for any incidental or consequential damages that result for the use of the material presented in this manual. This manual contains proprietary information belonging solely and exclusively to J-BARR INC. All rights are reserved. No part of this manual may be photocopied, reproduced or translated to another language without the written consent of J-BARR INC. HANGS. If this disclaimer is unacceptable, please return the unused product within 30 days of purchase (along with proof of purchase) for a full refund to the address below.

J-BARR INC.  
120 E 1st St, Ste 2  
Gibson City, IL 60936