

# Tolomeo w/shade wall w/ J bracket parchment

## SPECIFICATIONS

TLS1104



### Design By

Michele De Lucchi  
Giancarlo Fassina

### Collection

Design



### Specifications

Lamp type	LED-T
Lamp	max 75W E26/A19
Lamp Included	No
Control type	On/Off (On lampholder)
Input Voltage	120V
Power consumption	N/A
Ballast	N/A

### Colors & Finishes

- Parchment (Shade)
- Aluminum (Body)

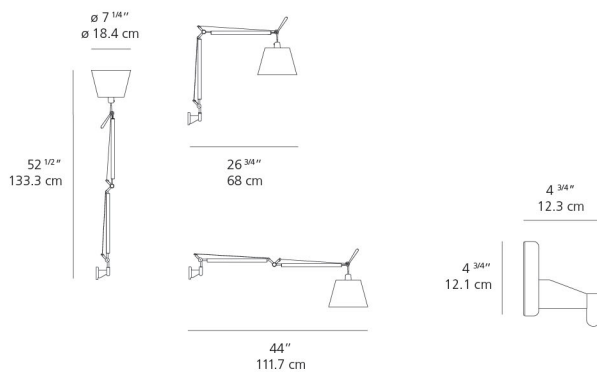
### Materials

- Arm structure in extruded aluminum
- Joints and tension control knobs in polished die-cast aluminum
- Support cables in stainless steel
- J-Bracket in polished die-cast aluminum

### Features & Accessories

- Fully adjustable, articulated arms
- Shade remains vertical regardless of arm angle
- Provided with 10ft cord and plug
- Cord to be shortened and plug removed by electrician during hardwire installation

### Dimensions



### Packaging

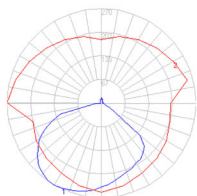
2 Boxes

1 x 9-3/4" x 6-13/16" x 40" / 4.41 lbs - 24.5 cm x 17 cm x 101.5 cm / 2 kg

1 x 7-3/16" x 6-13/16" x 7-3/16" / 1.1 lbs - 18 cm x 17 cm x 18 cm / .5 kg

### Light distribution

Direct



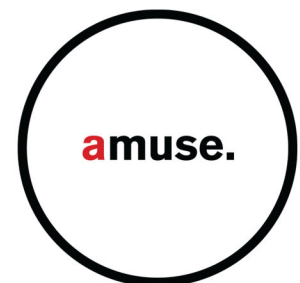
Red = Max Cd. Through Vertical plane  
Blue = Max Cd. Through Horizontal plane

### Luminaire weight

2.62 lbs / 1.19 kg

### Warranty

5 year Limited warranty



AMUSESPOT.COM  
702.857.8212

# Tolomeo w/shade wall w/ J bracket silver fiber

## SPECIFICATIONS

TLS1105



### Design By

Michele De Lucchi  
Giancarlo Fassina

### Collection

Design



### Specifications

Lamp type	LED-T
Lamp	max 75W E26/A19
Lamp Included	No
Control type	On/Off (On lampholder)
Input Voltage	120V
Power consumption	N/A
Ballast	N/A

### Colors & Finishes

- Silver Fiber (Shade)
- Aluminum (Body)

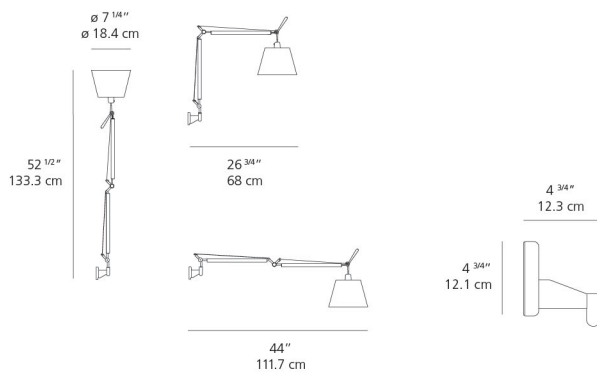
### Materials

- Arm structure in extruded aluminum
- Joints and tension control knobs in polished die-cast aluminum
- Support cables in stainless steel
- J-Bracket in polished die-cast aluminum

### Features & Accessories

- Fully adjustable, articulated arms
- Shade remains vertical regardless of arm angle
- Provided with 10ft cord and plug
- Cord to be shortened and plug removed by electrician during hardwire installation

### Dimensions



### Packaging

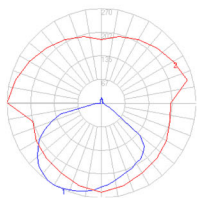
2 Boxes

1 x 9-3/4" x 6-13/16" x 40" / 4.41 lbs - 24.5 cm x 17 cm x 101.5 cm / 2 kg

1 x 7-3/16" x 6-13/16" x 7-3/16" / 1.1 lbs - 18 cm x 17 cm x 18 cm / .5 kg

### Light distribution

Direct



Red = Max Cd. Through Vertical plane  
Blue = Max Cd. Through Horizontal plane

### Luminaire weight

2.62 lbs / 1.19 kg

### Warranty

5 year Limited warranty



AMUSESPOT.COM  
702.857.8212

# Tolomeo w/shade wall w/ S bracket parchment

## SPECIFICATIONS

TLS1100



### Design By

Michele De Lucchi  
Giancarlo Piretti

### Collection

Design



### Specifications

Lamp type	LED-T
Lamp	max 75W E26/A19
Lamp Included	No
Control type	On/Off (On lampholder)
Input Voltage	120V
Power consumption	N/A
Ballast	N/A

### Colors & Finishes

- Parchment (Shade)
- Aluminum (Body)

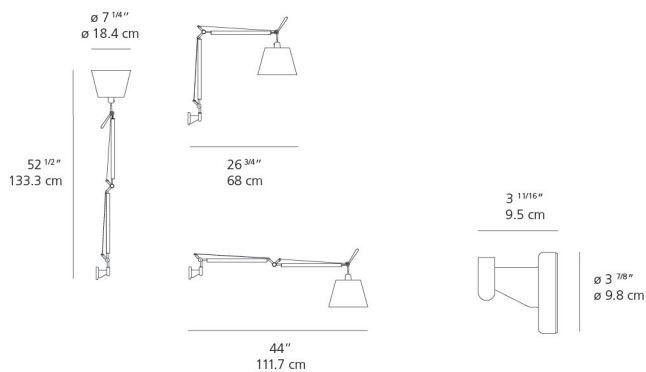
### Materials

- Arm structure in extruded aluminum
- Joints and tension control knobs in polished die-cast aluminum
- Support cables in stainless steel
- S-Bracket in polished die-cast aluminum

### Features & Accessories

- Fully adjustable, articulated arms
- Shade remains vertical regardless of arm angle

### Dimensions



### Packaging

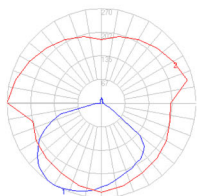
2 Boxes

1 x 9-3/4" x 6-13/16" x 40" / 4.41 lbs - 24.5 cm x 17 cm x 101.5 cm / 2 kg

1 x 4-7/16" x 4-7/16" x 4-7/16" / .55 lbs - 11 cm x 11 cm x 11 cm / .25 kg

### Light distribution

Direct



Red = Max Cd. Through Vertical plane  
Blue = Max Cd. Through Horizontal plane

### Luminaire weight

2.29 lbs / 1.04 kg

### Warranty

5 year Limited warranty



AMUSESPOT.COM  
702.857.8212

# Tolomeo w/shade wall w/ S bracket silver fiber

## SPECIFICATIONS

TLS1101



### Design By

Michele De Lucchi  
Giancarlo Piretti

### Collection

Design



### Specifications

Lamp type	LED-T
Lamp	max 75W E26/A19
Lamp Included	No
Control type	On/Off (On lampholder)
Input Voltage	120V
Power consumption	N/A
Ballast	N/A

### Colors & Finishes

- Silver Fiber (Shade)
- Aluminum (Body)

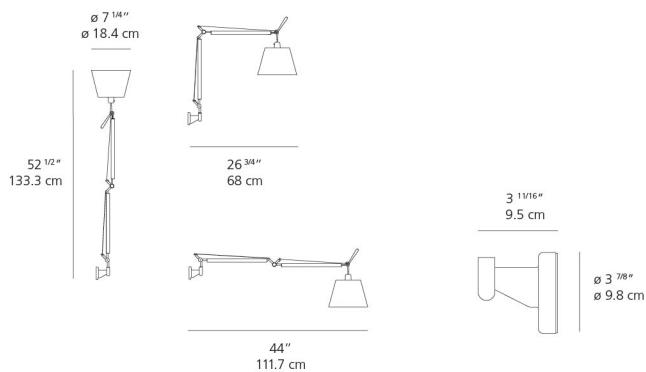
### Materials

- Arm structure in extruded aluminum
- Joints and tension control knobs in polished die-cast aluminum
- Support cables in stainless steel
- S-Bracket in polished die-cast aluminum

### Features & Accessories

- Fully adjustable, articulated arms
- Shade remains vertical regardless of arm angle

### Dimensions



### Packaging

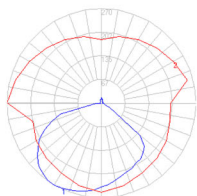
2 Boxes

1 x 9-3/4" x 6-13/16" x 40" / 4.41 lbs - 24.5 cm x 17 cm x 101.5 cm / 2 kg

1 x 4-7/16" x 4-7/16" x 4-7/16" / .55 lbs - 11 cm x 11 cm x 11 cm / .25 kg

### Light distribution

Direct



Red = Max Cd. Through Vertical plane  
Blue = Max Cd. Through Horizontal plane

### Luminaire weight

2.29 lbs / 1.04 kg

### Warranty

5 year Limited warranty



AMUSEPOT.COM  
702.857.8212