

# TOLOMEO DOUBLE SHADE SUSPENSION



## TOLOMEO DOUBLE SHADE

### EMISSION

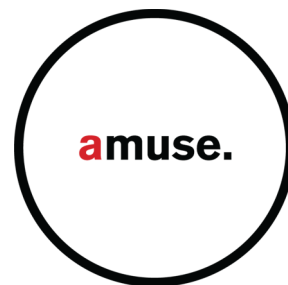
adjustable direct and indirect diffused

### LIGHT SOURCE

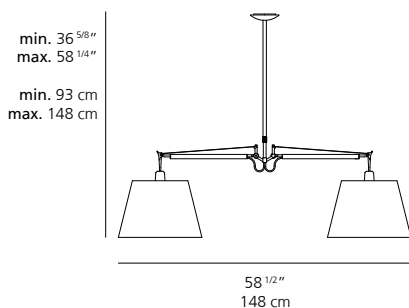
LED, CFL, INC  
max 2x150W E26/A19




### DIMMING FEATURE

dimmable



AMUSESPOT.COM  
702.857.8212



-  aluminum/parchment
-  aluminum/fiber
-  aluminum/black

### CERTIFICATIONS

c.UL.us listed

 parchment

 fiber

 black

