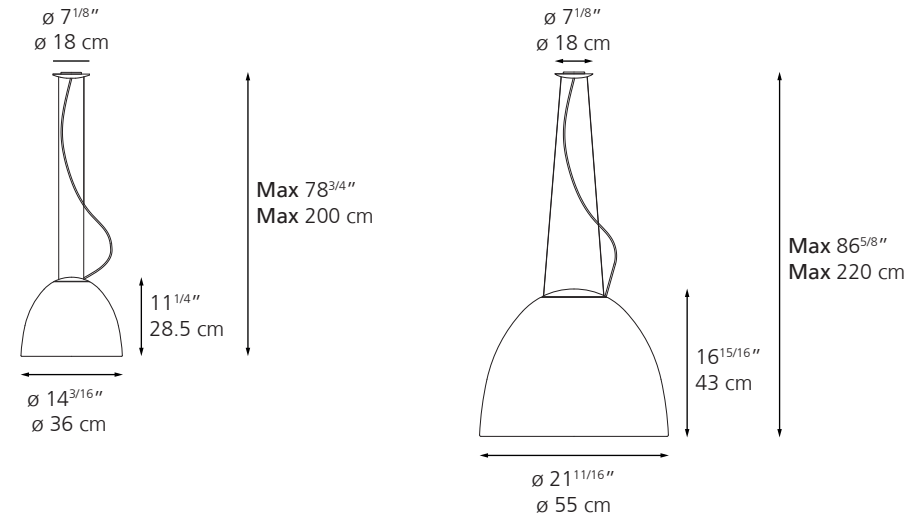


Nur Gloss Suspension



AMUSESPOT.COM
702.857.8212

Technical Data

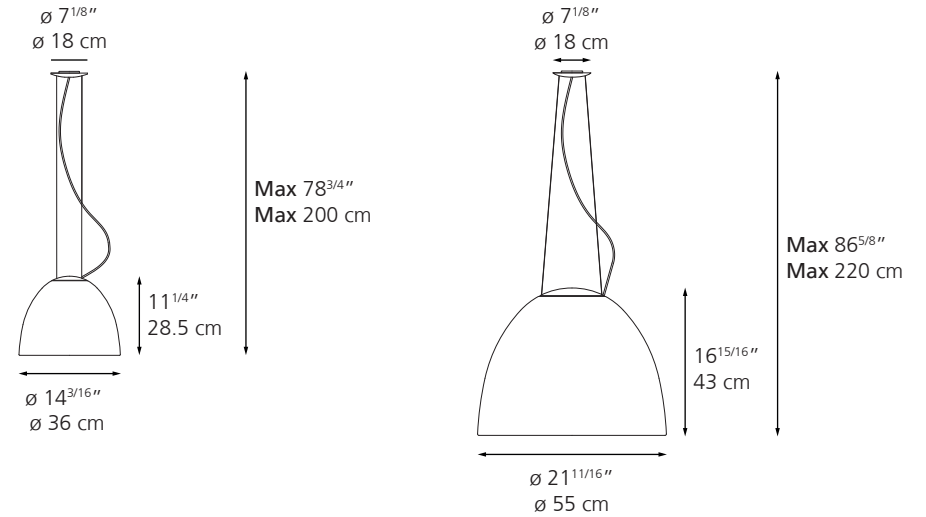


	MINI	CLASSIC
MATERIALS	Body of lamp in aluminum. Upper cap in borosilicate sanded glass. Polycarbonate lower diffuser.	Body of lamp in aluminum. Upper cap in borosilicate sanded glass. Polycarbonate lower diffuser.
EMISSION	Direct lighting with subtle indirect lighting	Direct lighting with subtle indirect lighting
LIGHT SOURCE	LED 27W 3000K >90CRI or LED, CFL, HAL, INC Max 150W E26/A19	LED 42W 3000K >90CRI or LED, CFL, HAL, INC Max 150W E26/A19
DIMMING FEATURE	Dimmable	Dimmable
FINISH	<ul style="list-style-type: none"> ● Gloss Black ○ Gloss White ● Gloss Orange^{New} ● Gloss Green^{New} ● Gloss Grey^{New} 	<ul style="list-style-type: none"> ● Gloss Black ○ Gloss White ● Gloss Orange^{New} ● Gloss Green^{New} ● Gloss Grey^{New}
CERTIFICATIONS	c.UL.us listed	c.UL.us listed

Nur Suspension



Technical Data

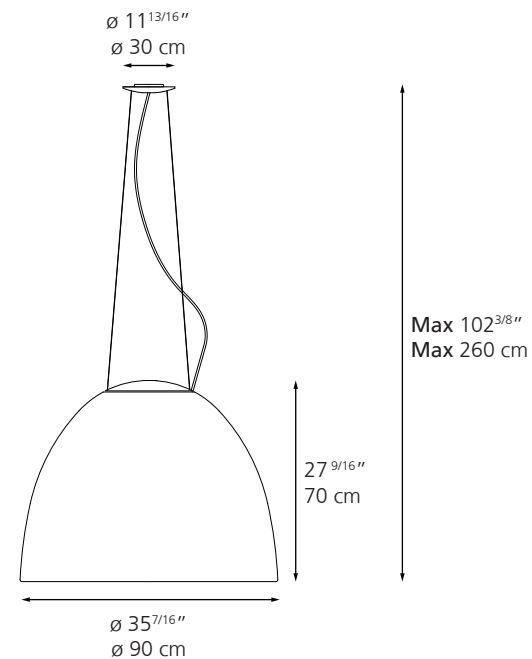


	MINI	CLASSIC
MATERIALS	Body of the lamp in aluminum. Lower diffuser in polycarbonate.	Body of the lamp in aluminum. Lower diffuser in polycarbonate.
EMISSION	Direct lighting with subtle indirect lighting	Direct lighting with subtle indirect lighting
LIGHT SOURCE	LED 26.9W 3000K >93CRI or LED, HAL, Max 100W E26/A19	LED 43W 3000K >93CRI or LED, HAL, Max 150W E26/A19
DIMMING FEATURE	Dimmable	Dimmable
FINISH	<ul style="list-style-type: none"> ● Aluminum ● Anthracite Grey 	<ul style="list-style-type: none"> ● Aluminum ● Anthracite Grey
CERTIFICATIONS	c.UL.us listed	c.UL.us listed

Nur 1618 LED Suspension



Technical Data



MATERIALS	Body of the lamp in aluminum. Lower diffuser in polycarbonate.
EMISSION	Direct lighting with subtle indirect lighting
LIGHT SOURCE	LED 125W 3000K >90CRI
DIMMING FEATURE	Dimmable
FINISH	<input type="radio"/> Aluminum <input checked="" type="radio"/> Anthracite Grey
CERTIFICATIONS	c.UL.us listed

