

↗ NH

Technical Data

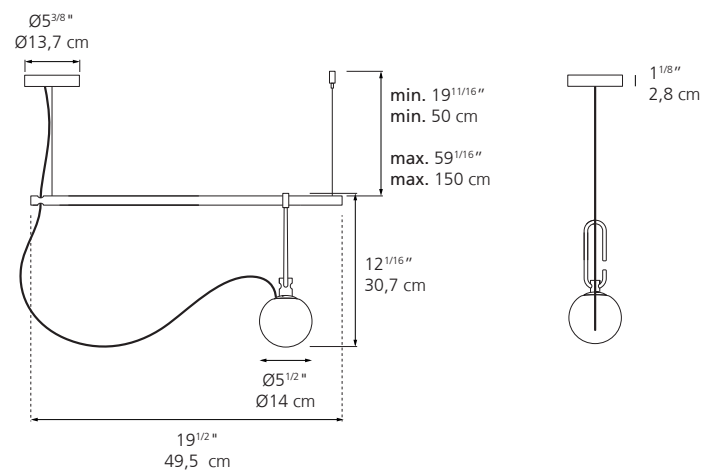
NH S1 14 Suspension

Diffuser	Stem	Ring
○	●	●
White Glass	Black	Brushed Brass

Diffuser in white blown glass
Adjustable ring in a brushed brass
Structure in metal painted black
LED (Non Integrated) ONLY E12/G16.5
Dimmable 2-Wire



W	Voltage
5W	120V



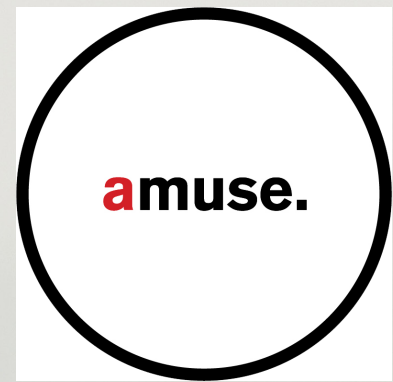
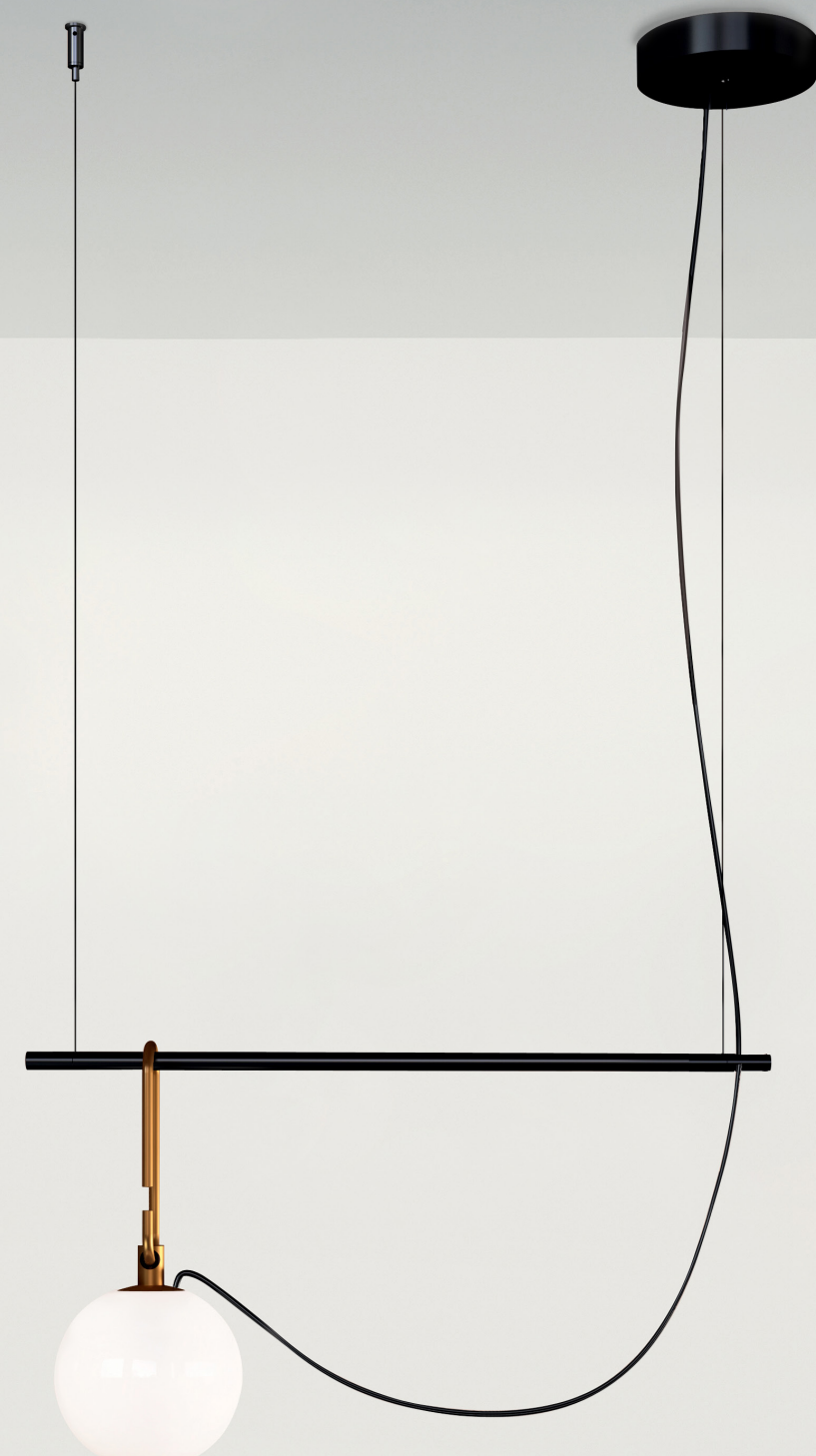
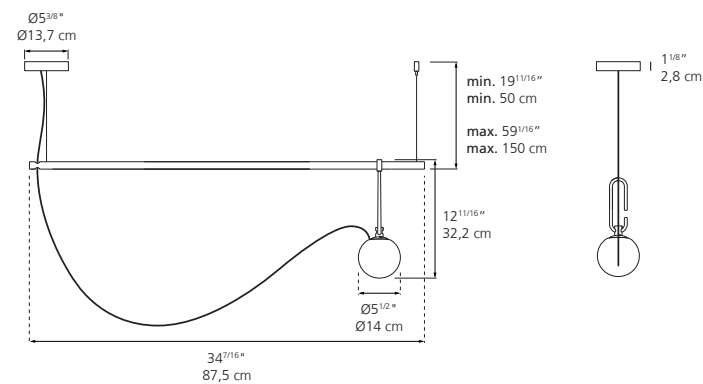
NH S2 14 Suspension

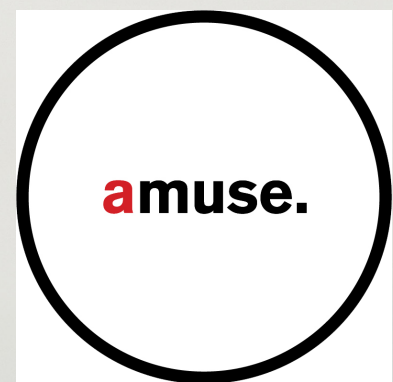
Diffuser	Stem	Ring
○	●	●
White Glass	Black	Brushed Brass

Diffuser in white blown glass
Adjustable ring in a brushed brass
Structure in metal painted black
LED (Non Integrated) ONLY E12/G16.5
Dimmable 2-Wire



W	Voltage
5W	120V





↗ NH

Technical Data

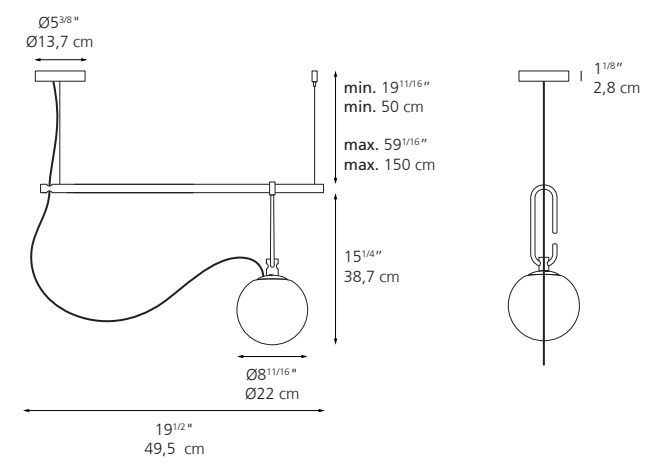
NH S1 22 Suspension

Diffuser	Stem	Ring
○	●	●
White Glass	Black	Brushed Brass

Diffuser in white blown glass
 Adjustable ring in a brushed brass
 Structure in metal painted black
 LED (Non Integrated) ONLY E26/A19
 Dimmable 2-Wire



W	Voltage
15W	120V



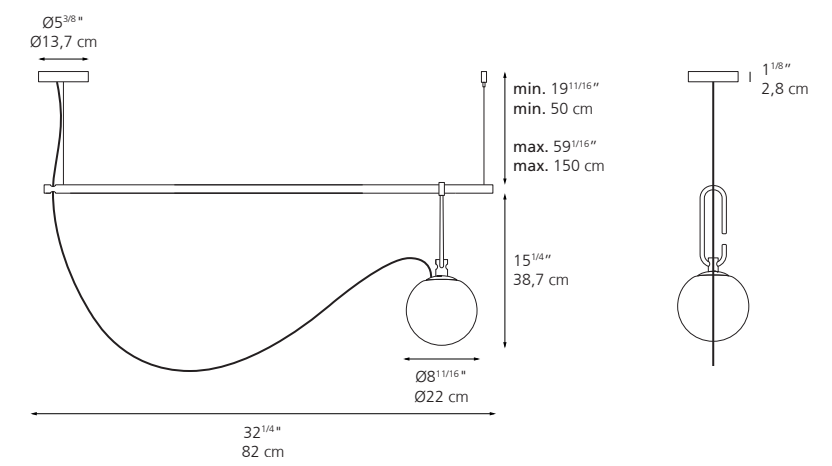
NH S2 22 Suspension

Diffuser	Stem	Ring
○	●	●
White Glass	Black	Brushed Brass

Diffuser in white blown glass
 Adjustable ring in a brushed brass
 Structure in metal painted black
 LED (Non Integrated) ONLY E26/A19
 Dimmable 2-Wire



W	Voltage
15W	120V



↗ NH

Technical Data

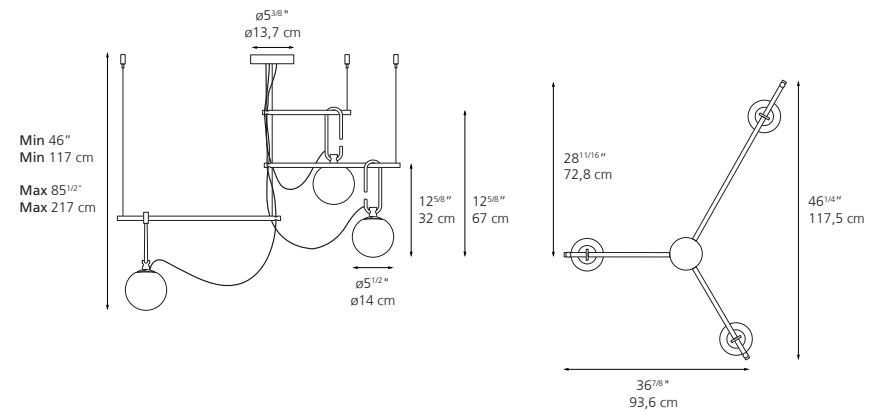
NH S3 14 Suspension

Diffuser	Stem	Ring
○	●	●
White Glass	Black	Brushed Brass

Diffuser in white blown glass
Adjustable ring in a brushed brass
Structure in metal painted black
LED (Non Integrated) ONLY E12/G16.5
Dimmable 2-Wire



W	Voltage
3x5W	120V



NH S3 2 Arms Suspension

Diffuser	Stem	Ring
○	●	●
White Glass	Black	Brushed Brass

Diffuser in white blown glass
Adjustable ring in a brushed brass
Structure in metal painted black
LED (Non Integrated) ONLY E26
Dimmable 2-Wire



W	Voltage
2x15W	120V

