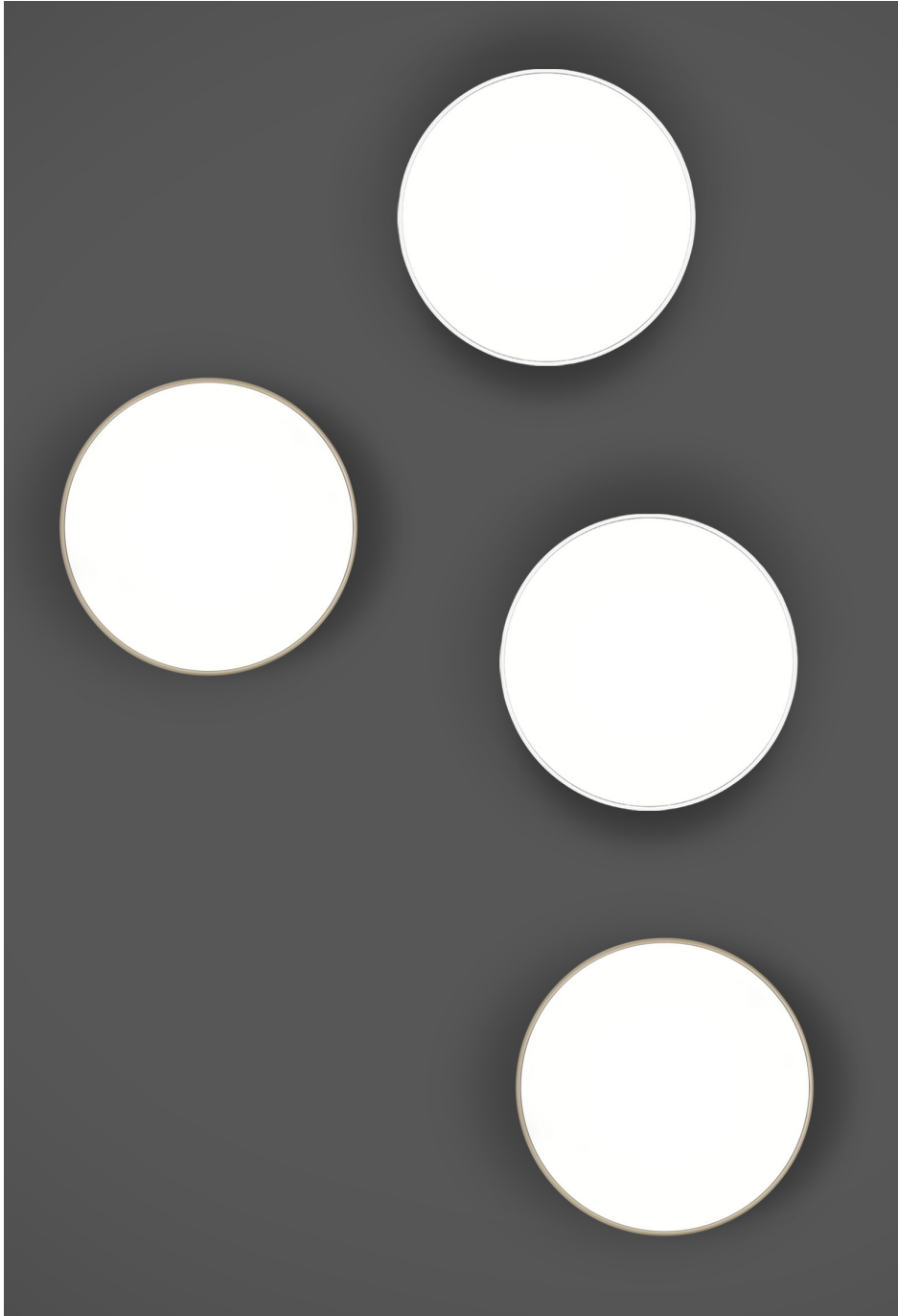
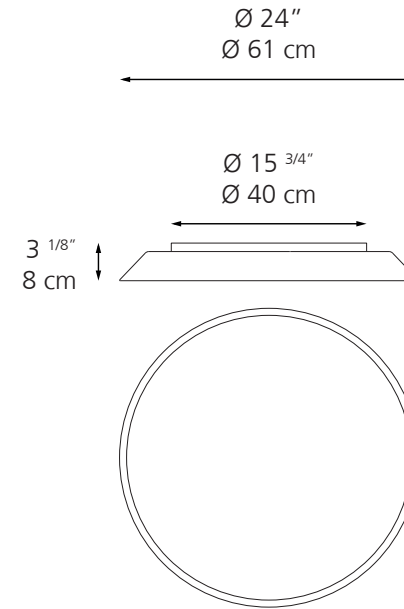


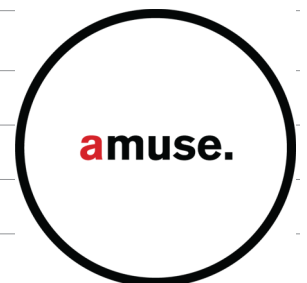
Febe Wall/Ceiling



Technical Data



MATERIALS	Body in injection-molded plastic. Diffuser in injection-molded polycarbonate.
EMISSION	Direct
LIGHT SOURCE	4x25.2W LED Array
TOTAL POWER	29.4W
DIMMING FEATURE	Dimmable 2-Wire
DELIVERED LUMENS	2238lm
CRI	>90
CCT	2700K or 3000K
FINISH	○ White ● Dove Grey
CERTIFICATIONS	c.UL.us listed, IP20, ADA compliant



AMUSEPOT.COM
702.857.8212