

↗ Curiosity

Technical Data

Curiosity 36 Table

Structure

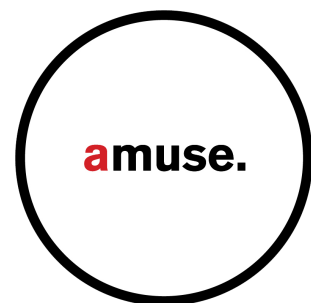
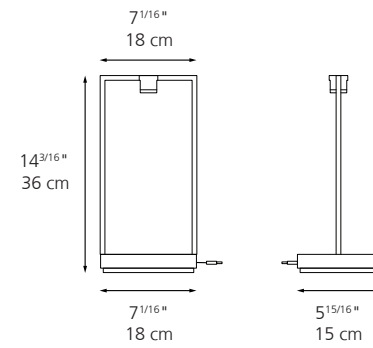
●
Black

Structure in aluminum
1.7W (8 hours battery life)
1.2W (11 hours battery life)
0.5W (26 hours battery life)
Dimmable (on base)



W	Voltage	CCT
1.7W Array	120V	3000K

Delivered Lumens	CRI
360lm	>80



↗ Curiosity Sphere

Technical Data

Curiosity 36 Sphere Table

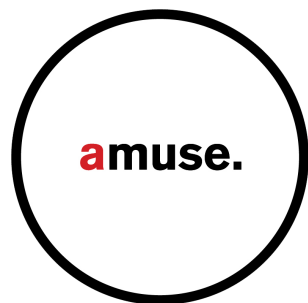
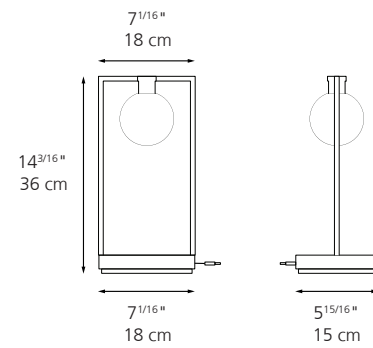
Structure	Diffuser
●	○
Black	White Glass

Structure in aluminum
1.7W (8 hours battery life)
1.2W (11 hours battery life)
0.5W (26 hours battery life)
Dimmable (on base)



W	Voltage	CCT
1.7W Array	120V	3000K

Delivered Lumens	CRI
360lm	>80



↗ Curiosity

Technical Data

Curiosity 45 Table

Structure

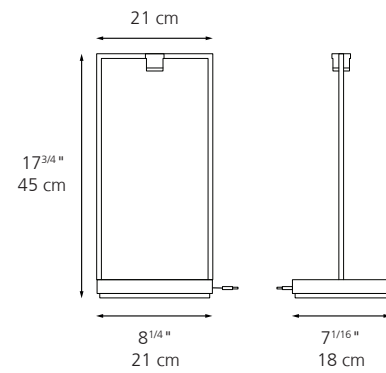
●
Black

Structure in aluminum
2.3W (8 hours battery life)
1.2W (11 hours battery life)
0.5W (26 hours battery life)
Dimmable (on base)



W	Voltage	CCT
3.6W Array	120V	3000K

Delivered Lumens	CRI
430lm	>80



Curiosity 45 Focus Table

Structure

●
Black

Structure in aluminum
2.3W (8 hours battery life)
1.2W (11 hours battery life)
0.5W (26 hours battery life)
Dimmable (on base)



W	Voltage	CCT
3.6W Array	120V	3000K

Delivered Lumens	CRI
430lm	>80

