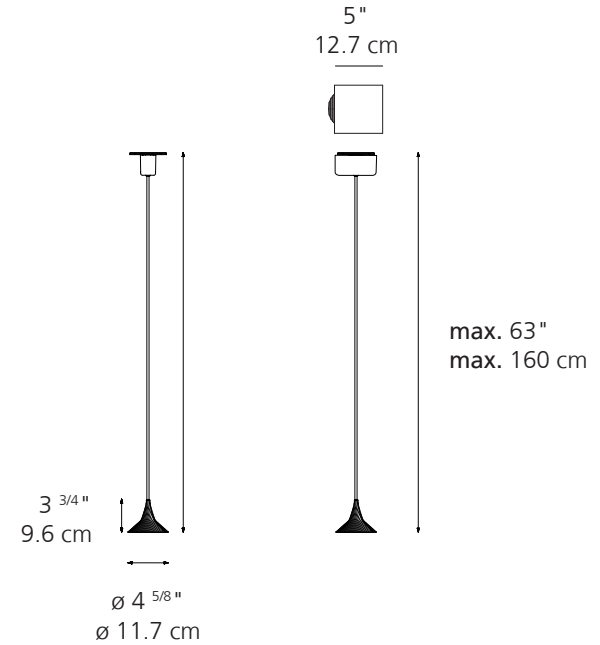


Unterlinden Suspension



Technical Data



MATERIALS	Body in die-cast aluminum or bronze. Canopy in technopolymer. Fabric cord in black for aluminum finish and in white for bronze finish.
EMISSION	Direct
LIGHT SOURCE	LED 6W C.O.B 3000K >90CRI or LED 6W C.O.B 2700K >90 CRI
DELIVERED LUMENS	615lm
DIMMING FEATURE	ON/OFF
FINISH	<ul style="list-style-type: none"> ● Aluminum ● Bronze
CERTIFICATIONS	c.UL.us listed, IP20

