



# ↗ Tolomeo Bicolor

# Technical Data

## Tolomeo Micro Bicolor Table

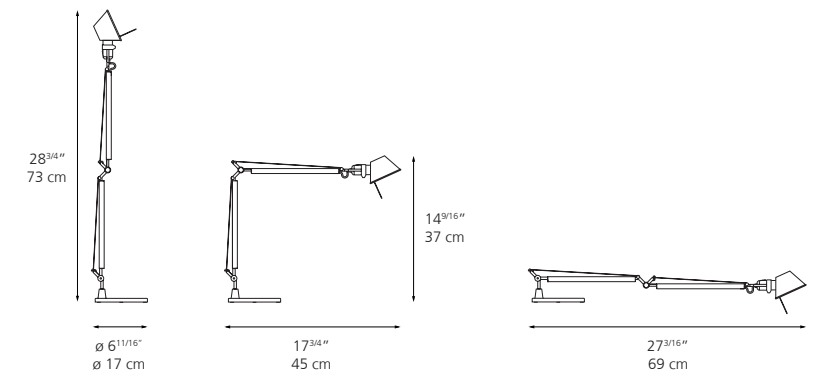
- Black/Blue
- Black/Coral
- Black/Yellow
  
- Black/White

**Materials**  
Base and cantilevered arms in polished aluminium; diffuser in anodised aluminium; joints and supports in polished aluminium. System of spring balancing.

99% recovery of paint residues  
RoHs and Reach compliants.

Light Source	Voltage
LED Max 60W E12/G16.5	120V

**Dimming Feature**  
On/Off switch located on cord for E12 socket version.



**Certification**  
c.UL.us suitable for damp locations.

