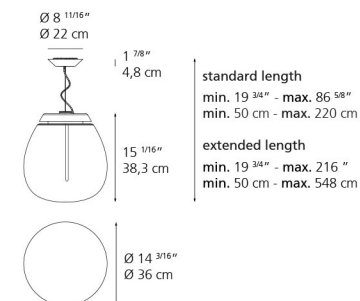
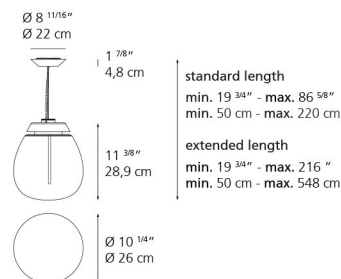
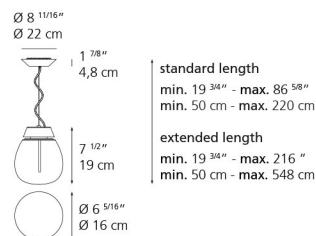


# Empatia Suspension

# Technical data



AMUSESPOT.COM  
702.857.8212

## EMPATIA 16

## EMPATIA 26

## EMPATIA 36

### MATERIALS

Base in painted white die-cast aluminum.

Base in painted white die-cast aluminum.

Base in painted white die-cast aluminum.

Diffuser in handblown glass, clear towards the bottom and frosted at the top to allow reflection of the light without glaring and without losing efficiency.

Diffuser in handblown glass, clear towards the bottom and frosted at the top to allow reflection of the light without glaring and without losing efficiency.

Diffuser in handblown glass, clear towards the bottom and frosted at the top to allow reflection of the light without glaring and without losing efficiency.

Light pipe in transparent low absorption coefficient methacrylate guides the light to the diffuser.

Light pipe in transparent low absorption coefficient methacrylate guides the light to the diffuser.

Light pipe in transparent low absorption coefficient methacrylate guides the light to the diffuser.

Plate within diffuser in painted white aluminum to reflect light.

Plate within diffuser in painted white aluminum to reflect light.

Plate within diffuser in painted white aluminum to reflect light.

### EMISSION

Diffused

Diffused

Diffused

### LIGHT SOURCE

LED  
11W 3000K>80CRI

LED  
16W 3000K>80CRI

LED  
24W 3000K>80CRI

### DIMMING FEATURE

Dimmable 2-Wire  
(Reverser or forward phase 120V only)

Dimmable 2-Wire  
(Reverser or forward phase 120V only)

Dimmable 2-Wire  
(Reverser or forward phase 120V only)

### DELIVERED LUMENS

530lm

710lm

1189lm

### FINISH

Clear & Frosted (Diffuser)  
 White (Base)

Clear & Frosted (Diffuser)  
 White (Base)

Clear & Frosted (Diffuser)  
 White (Base)

### CERTIFICATIONS

c.UL.us listed, IP20

c.UL.us listed, IP20

c.UL.us listed, IP20