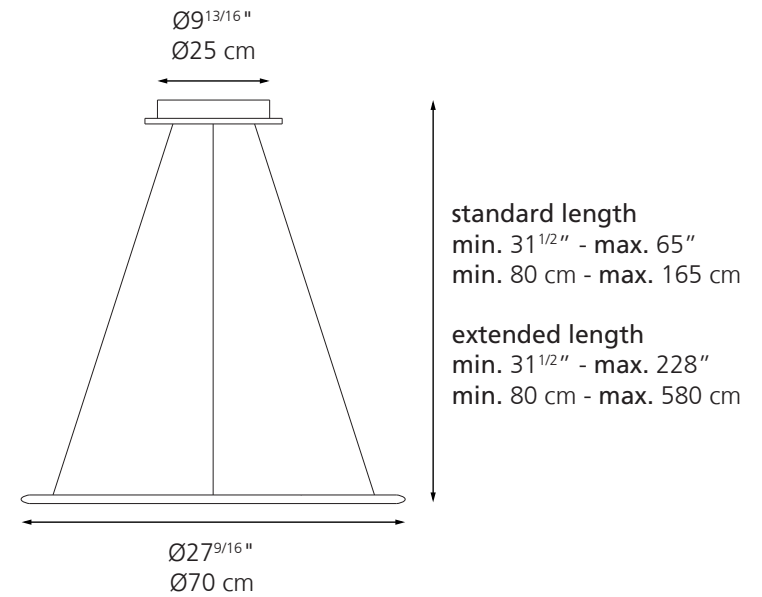


DISCOVERY SUSPENSION



TECHNICAL DATA



MATERIALS	Extruded and calendered aluminum structure, PMMA optical plate diffuser with superficial laser processing
EMISSION	Diffused
LIGHT SOURCE	LED
TOTAL POWER	49.3W
DIMMING FEATURE	Dimmable 2-Wire
DELIVERED LUMENS	2835.48lm
CCT	3000K
CRI	>90
FINISH	<ul style="list-style-type: none"> ○ Transparent diffuser ● Polished aluminum rim ● Black rim^{New}
CERTIFICATIONS	c.UL.us listed, IP20

