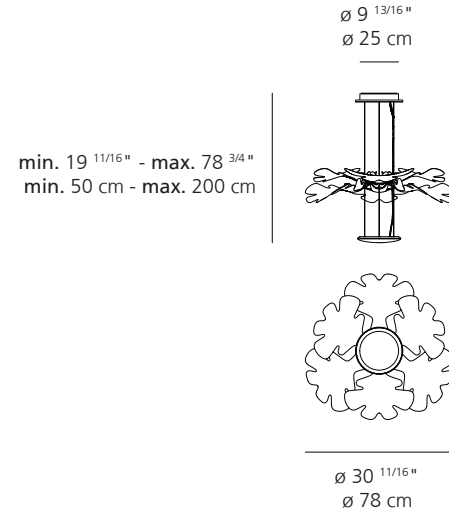


Chlorophilia Suspension 1/2

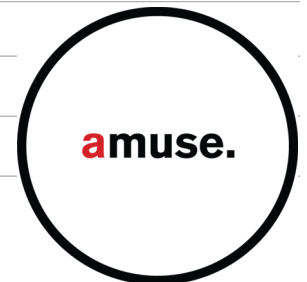


CHLOROPHILIA

Technical Data



MATERIALS	Structure in cast aluminum with polished finish. LED holder body in cast aluminum with polished finish acts as heatsink. Phytomorphic elements in technopolymer with transparent finish work as optical lens to refract light and create luminous pattern on ceiling.
EMISSION	Indirect and diffused
LIGHT SOURCE	LED 42W 3000K >90 CRI
DIMMING FEATURE	Dimmable
FINISH	○ White
CERTIFICATIONS	c.UL.us listed
NOTES	Available with extended length

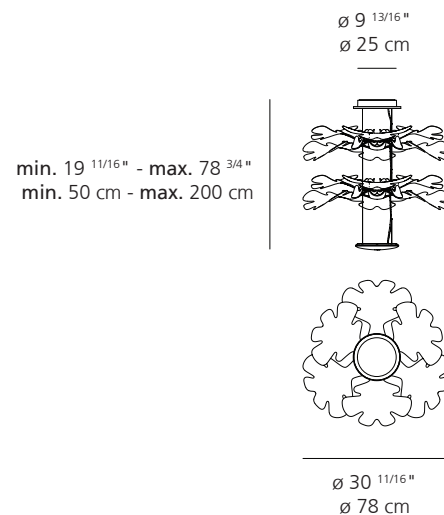


AMUSEPOT.COM
702.857.8212

Chlorophilia Suspension 2 / 2



Technical Data



MATERIALS	Structure in cast aluminum with polished finish. LED holder body in cast aluminum with polished finish acts as heatsink. Phytomorphic elements in technopolymer with transparent finish work as optical lens to refract light and create luminous pattern on ceiling.
EMISSION	Indirect and diffused
LIGHT SOURCE	LED 42W 3000K >90 CRI
DIMMING FEATURE	Dimmable
FINISH	○ White
CERTIFICATIONS	c.UL.us listed
NOTES	Available with extended length

