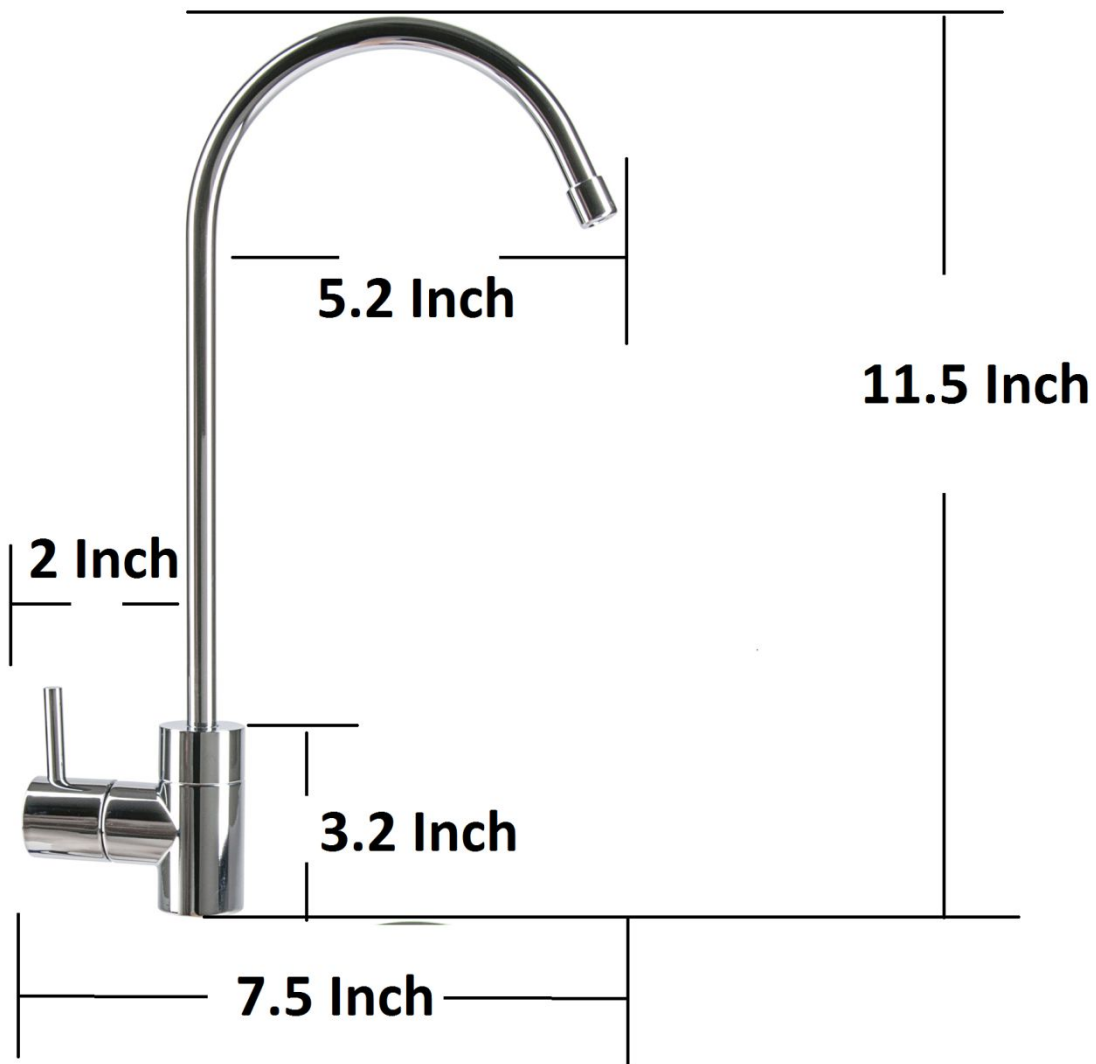




T-9000 Faucet Polished Chrome (1022387)

Flow Rate is 1.8 gpm at 60 PSI or 6.8 lpm at 4.1 BAR.

Drilling hole size: 1/2 inch to 1 1/8 inch



For further information, please contact hello@wa2.ca or call toll free 1 877 689 4009