

Bird Feeder Smart Camera Case

USER MANUAL



For bird watching with your smart cam

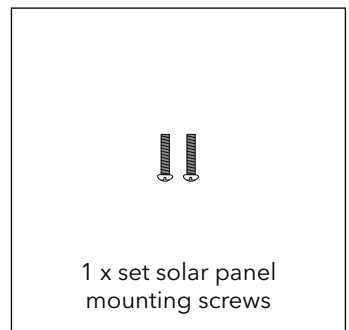
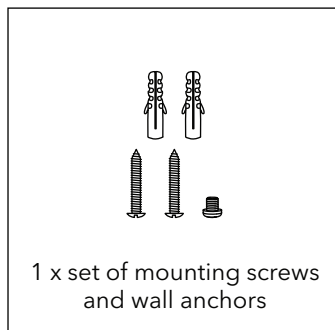
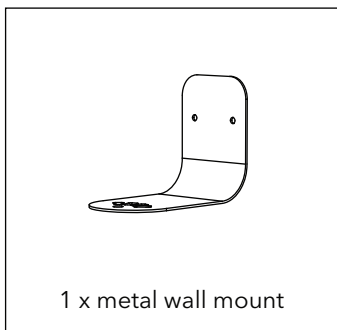
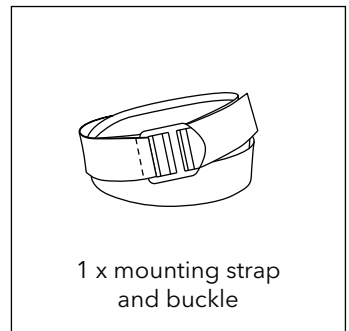
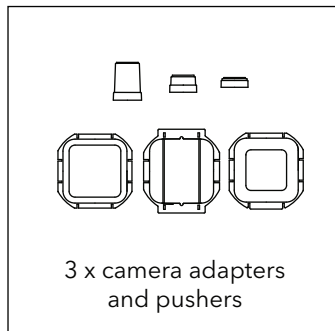
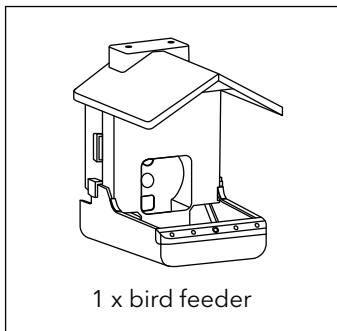
W

WASSERSTEIN

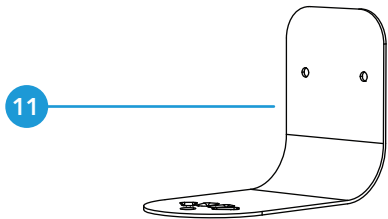
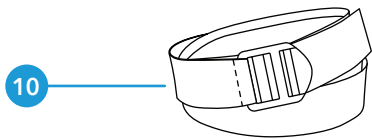
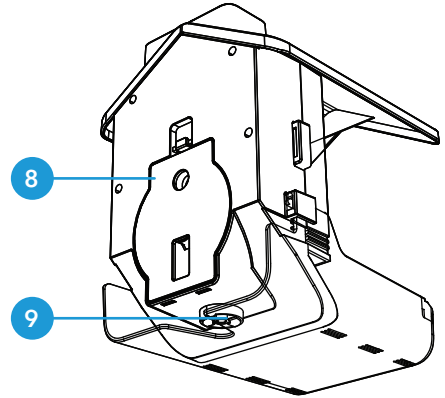
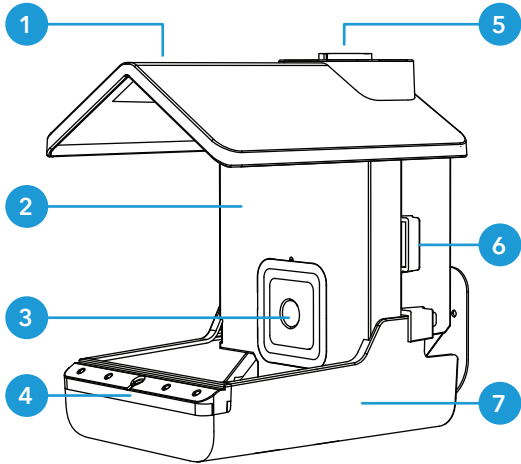
Safety Information

- Read this manual and instructions carefully before use. Failure to follow the safety instructions could cause injury and damage to your property.
- This product contains small parts in the kit and can be a choking hazard. Keep small parts away from children.
- Remove all packaging material before use.
- Make sure your camera and solar panel are waterproof and all gaskets are closed before installing them outdoors.
- Make sure your wall/ tree branch can support the weight of the bird feeder, camera, bird food, and solar panel before installation.
- Be aware of height-related hazards during the installation process. Make sure you have the necessary equipment and assistance with you.

In the Box



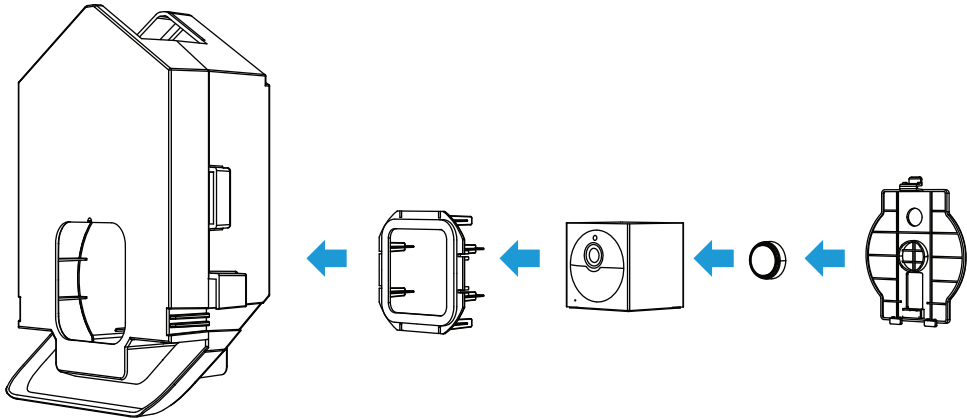
Introduction to Parts




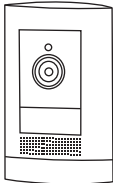
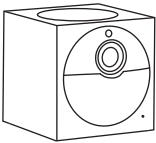
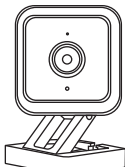
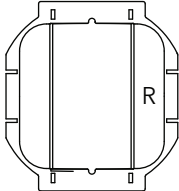
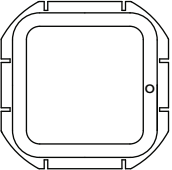
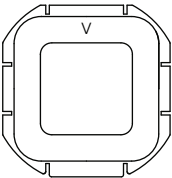


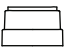
1. roof / cover
2. food container
3. camera compartment
4. honey tank
5. solar panel slot
6. strap holes
7. tray
8. back cover
9. 1/4" screw hole
10. strap
11. support frame
12. connection screw
13. mounting screws and wall anchors

Installation

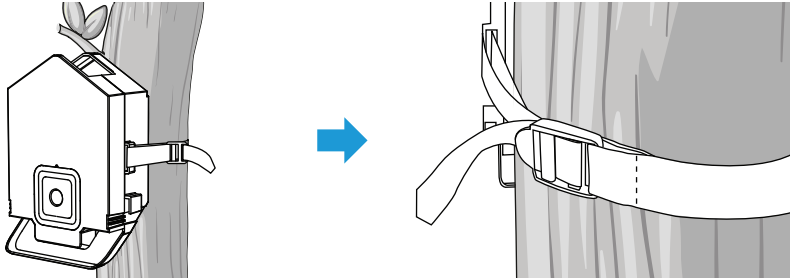
1. Install the camera in the camera compartment with the correct adapter and pusher as follows.



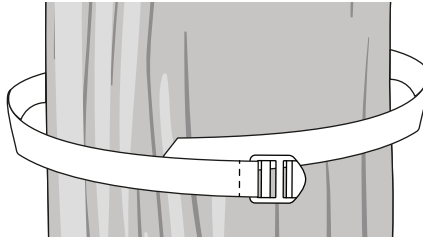
Camera and Corresponding Adapter

	Blink Outdoor	Ring Stick Up	Wyze Cam Outdoor (without the bottom mount)	Wyze Cam V3 (power cable requires)
Camera				
Label	N/A	R	O	V
Adapter	N/A			
Pusher		N/A		

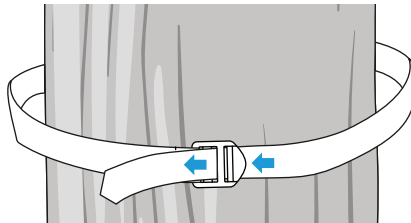
2. Mount the food container in your preferred location. Choose an area that is good for birds.
 - a. For a pole or small tree, use the strap provided and tighten firmly.



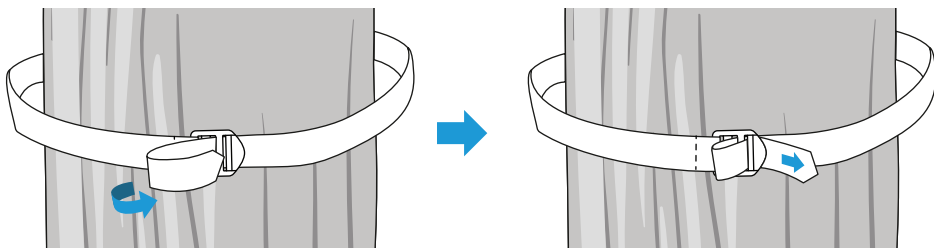
- a1. Wrap the strap around the pole or small tree.



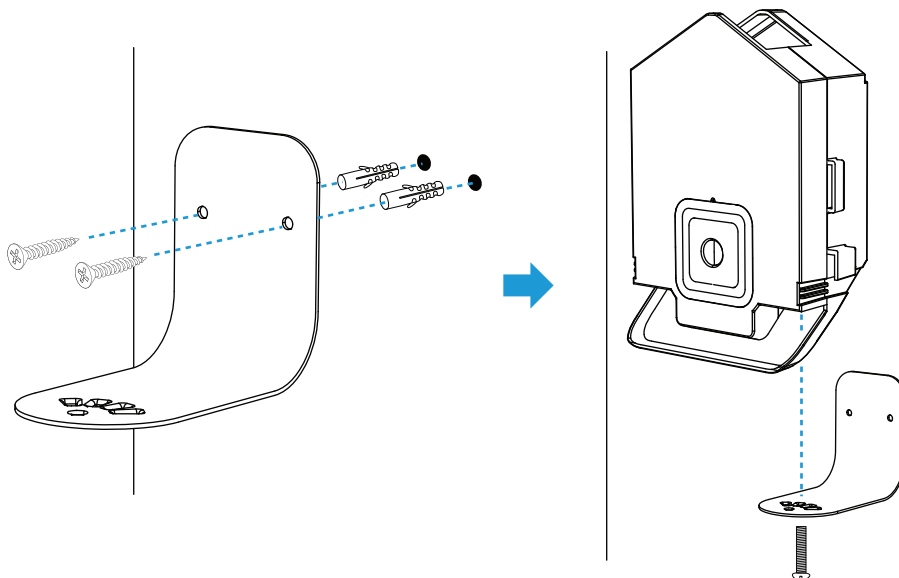
- a2. Put the strap through the middle of the buckle.



- a3. Loop the strap back through the buckle and pull tightly.

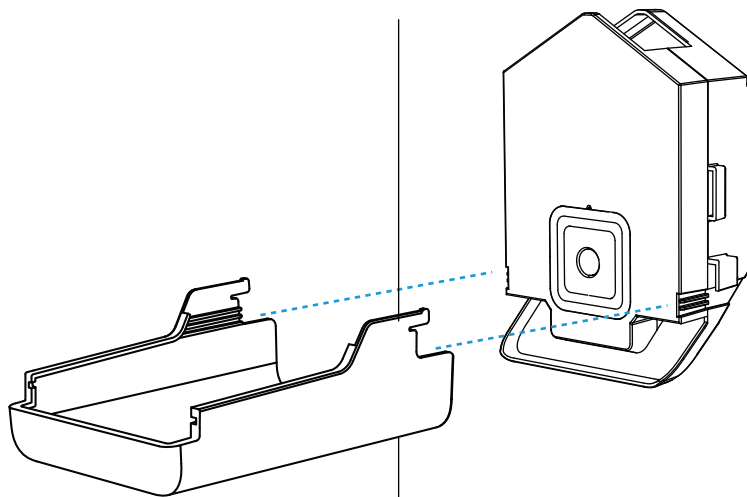


- b. For a wall or large tree, use the metal wall mount and mounting screws provided (drill bit size is 1/8").

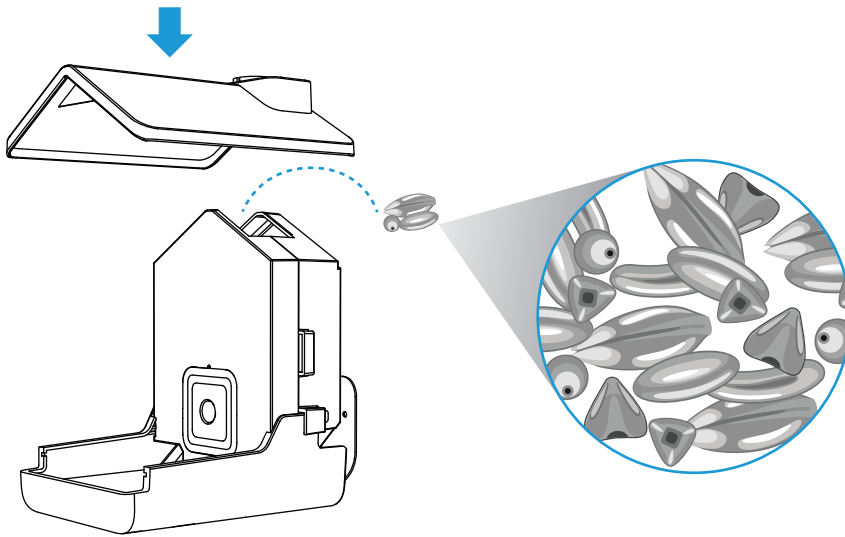


Note: You can also use other 1/4" mounts (not included) to secure the bird feeder.

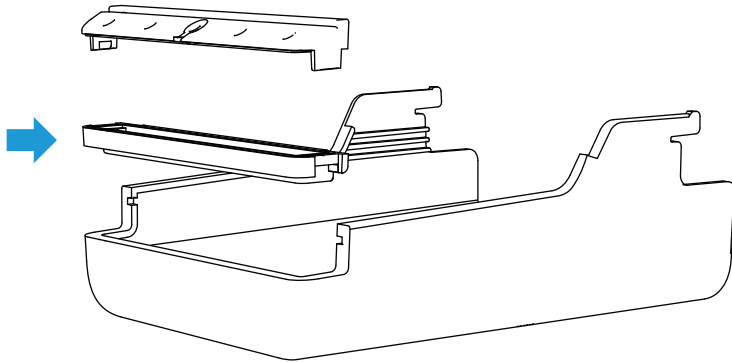
3. Connect to the power source if required.
4. Install the tray at the bottom until it clicks.



5. Add the bird food from the opening at the top and close the cover.



6. For feeding hummingbirds, add honey to the tank. Clean regularly by removing and rinsing the tray.



7. Check the trigger event from your camera app.

8. To remove / recharge the camera, take down the bird feeder from the mount or loosen the mounting strap. Then remove the camera from the compartment.

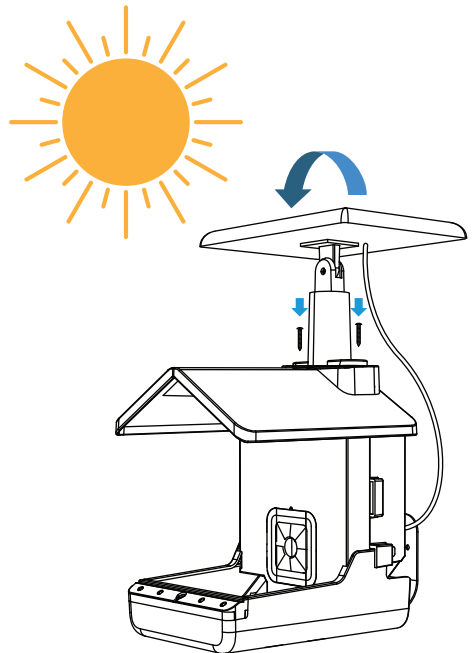
Tips for Installing the Bird Feeder

1. Install the bird feeder in a place where birds are likely to go.
2. Make sure your camera is facing a direction with less trigger events (cars, pedestrians, etc), so as to conserve your camera's battery life.
3. Power the camera with an external power source if required (make sure your camera and cable are waterproof).
4. Check the view in the app and adjust the camera to get the best angle for bird watching.

Powering Camera with Wasserstein Solar Panel

Note: For Ring, Blink, and Wyze Outdoor Camera only.

1. Install the original mount on the roof with the short screw provided.
2. Connect it to the camera through the hole at the back cover.
3. Set the solar panel at an angle that gets the most sunlight exposure.
4. Make sure your camera connected to the solar panel before mount it to the wall / tree.

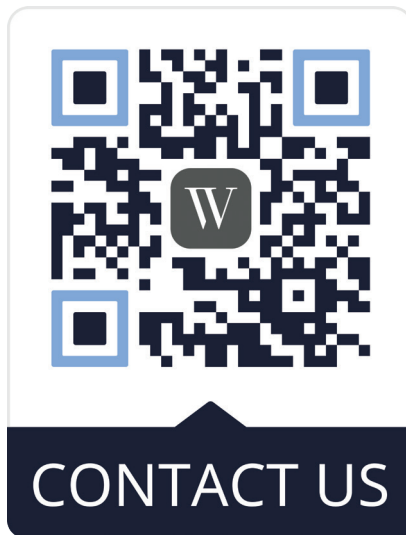


Specifications

Size:	7.67 x 7.08 x 9.13 in
Weight:	2.2 lb
Maximum loading:	4.4 lb (including the bird feeder)
Mount location:	Tree, wall
Compatible cameras:	Blink outdoor, Ring Stick Up, Wyze Cam Outdoor and Wyze Cam V3
Material:	ABS, PC plastic

Get More Support

Scan the QR code below or email us at contact@wasserstein-home.com.



Camera is not included.
Ring Camera is a trademark of Ring Inc.
Blink Camera is a trademark of Immedia Semiconductor Inc.
Wyze Camera is a trademark of Wyze Labs, Inc.
Wasserstein is not affiliated with Ring Inc.,
Immedia Semiconductor Inc., and Wyze Labs, Inc.
Wasserstein is a trademark of Dropcases Ltd.

W
WASSERSTEIN

www.wasserstein-home.com

Made in China