

W
WASSERSTEIN

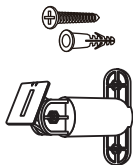
Solar Panel

Compatible with Ring Spotlight Cam Battery
& Ring Stick Up Cam Battery
User Manual



Box Content:

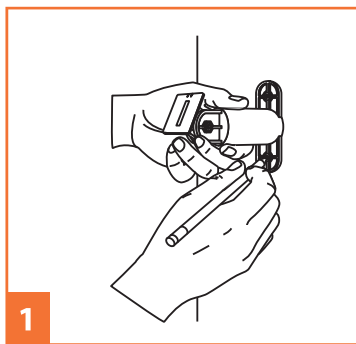
- 1 x Solar Panel with DC connector
- 1 x 360-Degrees Mounting Bracket
- 3 x Screws and Wall Anchors
- 1 x User Manual



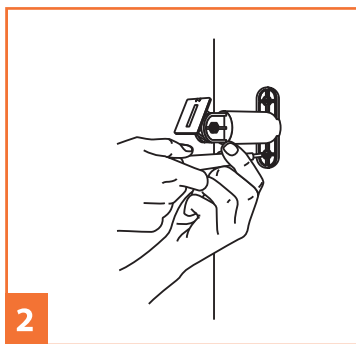
To find more products from our smart home universe,
please visit our website:

www.wasserstein-home.com

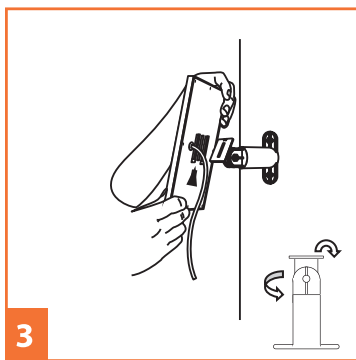
Installation



Select an installation location that will allow for maximum sunlight exposure. Using the wall mount as a template, mark in the screw holes with a pencil.

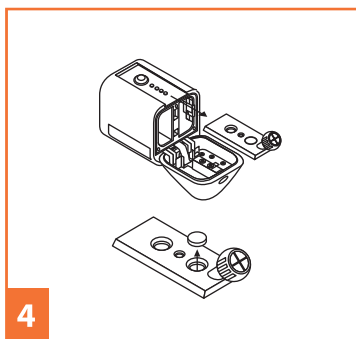


Drill holes at the two marked positions. Place the included plastic anchor into the hole. Attach the mounting arm to the wall with the screws provided.



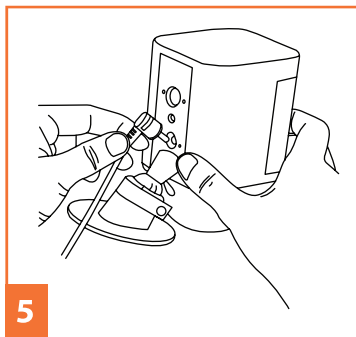
3

Slide the solar panel onto the wall mount. Adjust and rotate the angle of the solar panel for optimum sunlight coverage.

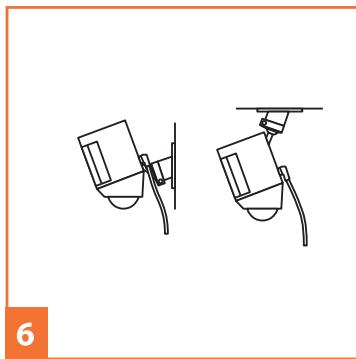


4

Open the battery compartment of the camera and slide the mounting plate out of its slot. Push the weatherproof rubber plug out of its hole on the mounting plate and return the plate back onto the camera.



Plug the charging cable into the power connector on the camera. Make sure the cable is plugged in tightly and securely to keep the connection weatherproof.



Insert the camera onto its mounting bracket and adjust the camera to your desired angle.



Eco-friendly



360-degrees rotatable mounting bracket



Quick and easy installation



Weather-resistant

Warning

1. Do not try to open or disassemble the solar panel.
2. Keep the solar panel away from heat sources and fire.
3. Ensure that the connection between the charging cable and the camera is secured before placing it for outdoor use.
4. Avoid stretching the USB cable to its full extent.

General Specifications

- Dimensions: 7.5 x 6.0 x 1.25 in
- Power: 2W 5V
- Cable Length: 13.1 ft (4 m)
- Connector Type: DC

W
WASSERSTEIN

To find more products from our smart home universe,
please visit our website:

www.wasserstein-home.com