



WASSERSTEIN

Floodlight with Charger

Compatible with Ring Spotlight Cam Battery and
Stick Up Cam Battery

User Manual



The Wasserstein Wired Floodlight & Charger with Integrated Mount for Ring Spotlight Cam Battery and Stick Up Cam Battery is an ideal solution to enhance your camera's vision in low light outdoor conditions.

Table of Contents

Package Includes	2
Safety Information	2
Features	2
Installing Your Floodlight	3
Mounting Your Camera	6
Important Tips	7
FAQ	7
Specifications	7

Package Includes

- 1 x Floodlight
- 2 x Screws
- 1 x USB Cable
- 1 x Screw Converter (for Spotlight Cam)
- 1 x Wrench
- 1 x User Manual
- 1 x Crossbar
- 1 x Screw Cap
- 3 x Wire Nuts
- 1 x EVA Gasket



Safety Information

- Disassembling the light head is not recommended as it may cause damage to internal components. The floodlight may not function properly after disassembly.
- Turn the main circuit OFF before installation.
- Do NOT remove the protective LED lens.
- Do NOT look directly at LEDs that are turned on for any length of time.
- Do NOT leave bare wires exposed outside the wall canopy enclosure.

Feature



PIR Motion
Detection



IP65 Waterproof



Universal Female
USB Charging



Integrated
Mount

Installing Your Floodlight

Preinstallation

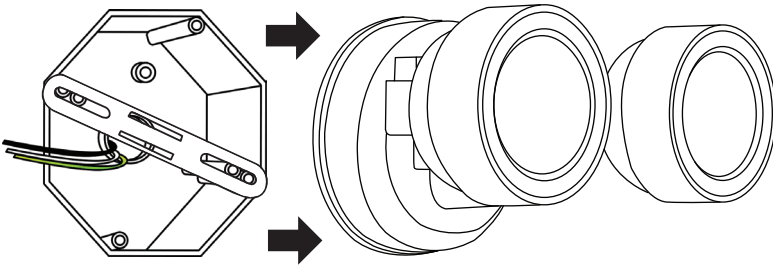
Note: If you are unfamiliar with electrical installations, we highly recommend hiring a professional electrician to perform the installation.

1. Make sure you have all the included materials.
2. You will be working with electrical wires during the installation process. For safety reasons, shut off the power to your floodlight at the circuit breaker.

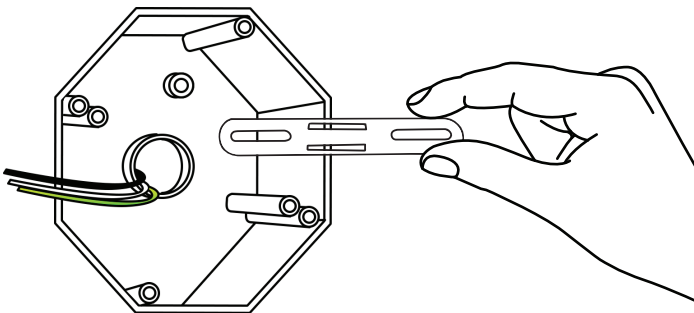


If You Have an Existing Floodlight

1. Remove your existing floodlight from the junction box, and disconnect the wires. If there is a crossbar attached to your junction box, remove it also.

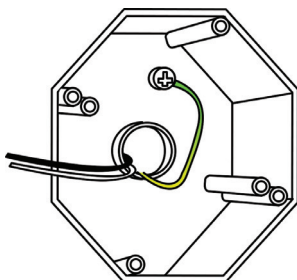


2. Remove the crossbar attached to your junction box.



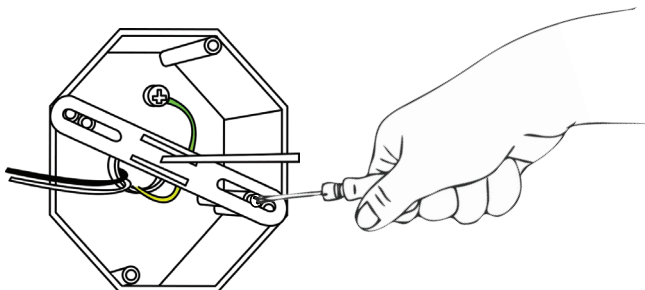
Installing Your Floodlight

3. Secure the ground wire.



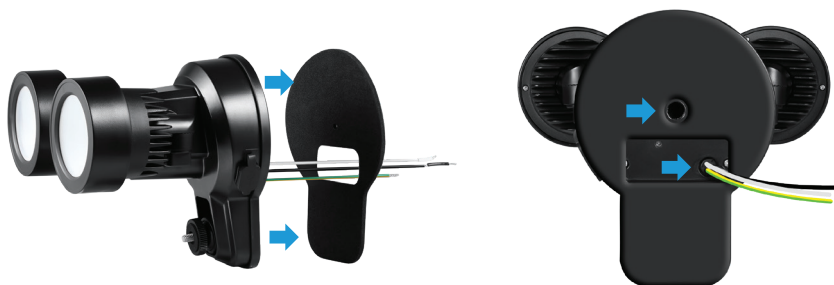
Installing the Floodlight to the Junction Box

1. Attach the crossbar included in the package to the junction box with the screws.



2a. Remove the protective tape from the EVA gasket. Press the adhesive side firmly against the rear of the floodlight.

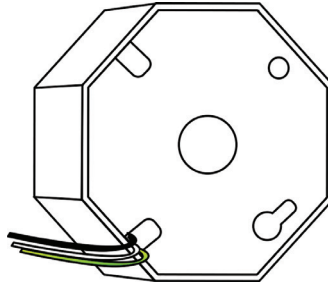
2b. Ensure that the center screw hole and wire slot of the foam gasket are aligned with the screw hole and wire slot.



Installing Your Floodlight

3. Before securing the cover of your junction box, thread the wires through the slot on the bottom of the plate to access them during installation.

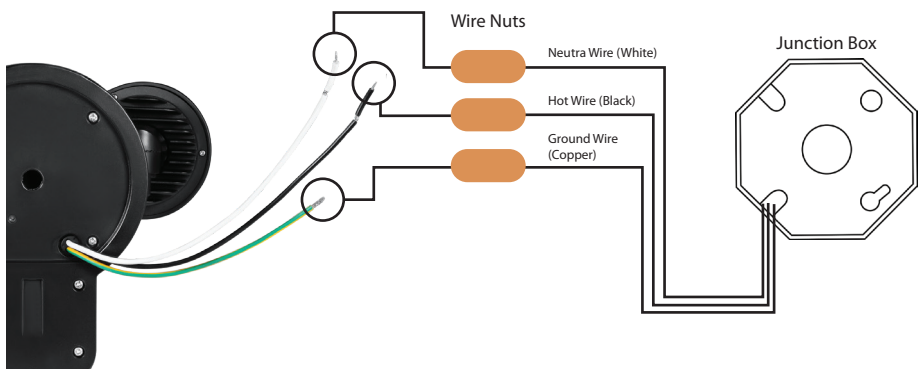
Junction Box



Wiring the Floodlight and Junction Box Through the EVA Gasket

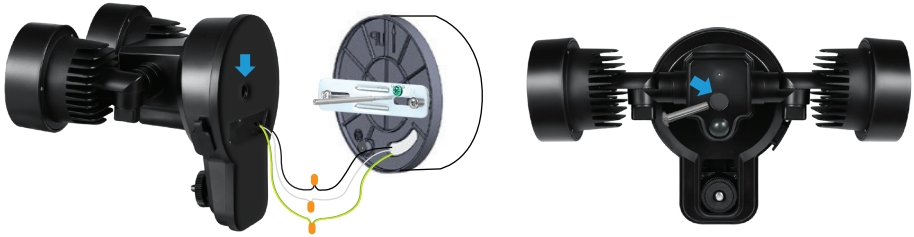
The white wire on your floodlight is a neutral wire.
The black wire on your floodlight is a hot wire.

1. Connect the green and yellow wire from the floodlight to the existing ground wire inside the junction box. Use the included wire nut to connect the wires properly.
2. Using a wire nut, connect the white neutral wire from the floodlight to the neutral wire of the junction box.
3. Using a wire nut, connect the black hot wire from the floodlight to the hot wire of the junction box.



Installing Your Floodlight

- 4a. Make sure the wire connections are secured. Carefully place the wires into the junction box.
- 4b. Mount the floodlight onto the crossbar and secure it with the screw cap provided.



Important: Before mounting the floodlight, completely apply the EVA gasket around the perimeter of the cover plate where the back of the cover plate meets the mounting surface. This prevents water from seeping into the junction box.

5. Switch on the electricity, checking that the wiring has been done correctly and that the floodlight turn on.

Note: The floodlight will provide continuous charging to the USB port 24/7, however, the motion sensor will only get triggered and turn the lights on when it is dark outside (i.e., during night time).



Mounting Your Camera (Ring Spotlight Cam Battery)

1. To charge your camera via the floodlight, remove the charging port cap of the camera and connect the floodlight's charging cable. Press in firmly.
2. Screw the screw converter into the Ring Spotlight Cam Battery.
3. Screw the camera onto the mount.
4. Open the USB port cap of the floodlight and connect the charging cable. Press in firmly.
5. Take out the mounting wrench and adjust the Ring Spotlight Cam to your desired angle.



Mounting Your Camera (Stick Up Cam Battery)

1. To charge your camera via the floodlight, remove the charging port cap of the camera and connect the floodlight's charging cable. Press in firmly.
2. Screw the camera onto the mount.
3. Open the USB port cap of the floodlight and connect the charging cable. Press in firmly.



Important Tips

1. Assess where intruders are most likely to enter and the path they would take. Most intruders enter the home through a back door, patio door, or garage door. Therefore, it is advisable to place the floodlight near entrances to your home.
2. Mount the floodlight on walls that an intruder would walk alongside, such as a narrow pathway. The motion sensor works best when movements are detected parallel to the floodlight, not towards it.
3. You can also mount the floodlight beside your security camera to illuminate the camera's vision at night.
4. Although the floodlight is weatherproof, it is advisable to mount it to a wall shaded from the rain and sunlight to maximize battery life.

FAQ

One or more floodlight(s) is flashing on and off. What's going on?

There are several possibilities. Try the following items:

- Check your connection to the house power.
- Check the area around the floodlight. There may be something in the area (e.g. a small animal) that is triggering it.

FAQ

A floodlight will not turn on. What's going on?

There are several possibilities. Try the following items:

- Check your connection to the house power.
- Leave the area for 10 minutes to give time for the floodlight to reset without you triggering them. Return and check the floodlight by turning off the power for at least a minute, then turning it back on.
- Make sure you are testing the floodlight in darkness.


Specification

Plastic Material	: PC + Aluminum
Sensor Angle Range	: 120°
Sensor Distance Thresholds	: 13 to 33 ft (4 to 10 m)
Max LED Light Intensity	: 2000 Lumens
Color Temperature	: 5500 - 6500 K
Power	: AC 120V



Ring Spotlight Cam Battery not included.

Ring Stick Up Cam Battery not included.

 Wasserstein is not affiliated with Ring, Inc.

 Wasserstein is a trademark of Dropcases Ltd.

Ring Spotlight Cam Battery is a trademark of Ring, Inc.

Ring Stick Up Cam Battery is a trademark of Ring, Inc.

For more information, visit:

www.wasserstein-home.com

or contact us at:

contact@wasserstein-home.com

Made in China