



WASSERSTEIN

# 3-in-1 Floodlight, Charger & Mount

Compatible with Nest Cam Outdoor

## User Manual



The Wasserstein Wired Floodlight & Charger with Integrated Mount for Nest Cam Outdoor is an ideal solution to enhance your camera's vision in low light outdoor conditions.

# Table of Contents

---

Package Includes	2
Safety Information	2
Features	2
Remote Control Features	3
Installing Your Floodlight	4
Testing the Floodlight	8
Mounting Your Camera	8
Important Tips	8
FAQ	9
Specifications	9

# Package Includes

---

- 1 x Floodlight
- 1 x Remote Controller
- 2 x AAA Batteries
- 2 x Screws
- 1 x USB Cable
- 1 x Magnetic Base
- 6 x Cable Clips
- 1 x User Manual
- 1 x Crossbar
- 1 x Screw Cap
- 3 x Wire Nuts
- 1 x EVA Gasket



# Safety Information

---

- Disassembling the light head is not recommended as it may cause damage to internal components. The floodlight may not function properly after disassembly.
- Turn the main circuit OFF before installation.
- Do NOT remove the protective LED lens.
- Do NOT look directly at LEDs that are turned on for any length of time.
- Do NOT leave bare wires exposed outside the wall canopy enclosure.

# Features

---



Includes a remote to adjust light intensity, duration and sensitivity



IP65 waterproof



Provides 2000 lumens of light



Continuously charges your camera

# Remote Control Features

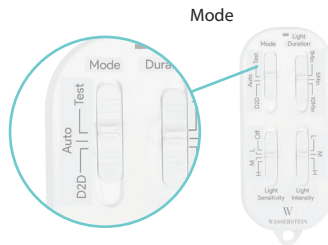
---



Insert 2 x AAA batteries into the remote control to power it.

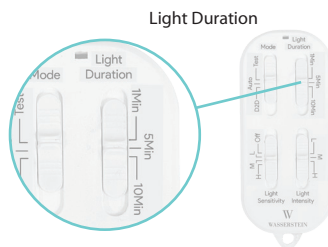
## 1. Mode

- **Dusk to Dawn (D2D)** - The floodlight turns on continuously from evening till morning.
- **Auto** - The floodlight turns on in the dark when it detects motion.
- **Test** - The floodlight will light up in the presence of motion. Try waving your hands in front of the floodlight.



## 2. Light Duration

Set how long the floodlight will turn on after it detects motion. You can toggle between 1, 5, or 10 minutes.



# Remote Control Features

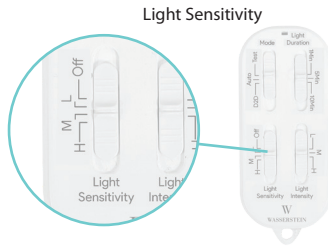
---

## 3. Light Sensitivity

Set the sensitivity of the photosensor.

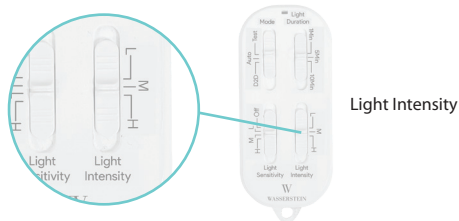
- **Low (L)** - The floodlight will turn on when its surrounding is super dark.
- **Medium (M)** - The floodlight will turn on when its surrounding is dark.
- **High (H)** - The floodlight will turn on when its surrounding is somewhat dark.
- **Off** - Turns off the photosensor and the floodlight will turn on anytime when it detects motion.

**Important Note:** This feature is highly subjective and depends on the floodlight's surroundings. Please toggle through all the options mentioned above to find the one that works for you.



## 4. Light Intensity

Control the brightness of the floodlight. You can toggle the switch between Low (L), Medium (M), and High (H).



# Installing Your Floodlight

---

## Preinstallation

**Note:** If you are unfamiliar with electrical installations, we highly recommend hiring a professional electrician to perform the installation.

1. Make sure you have all the included materials.
2. You will be working with electrical wires during the installation process. For safety reasons, shut off the power to your floodlight at the circuit breaker.

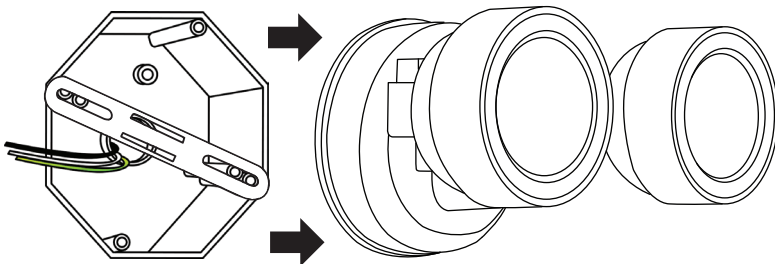


# Installing Your Floodlight

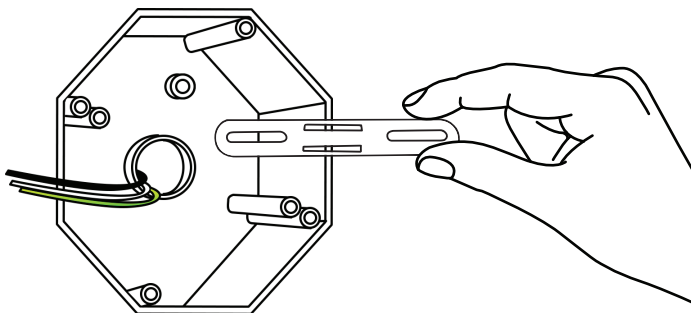
---

## ***If You Have an Existing Floodlight***

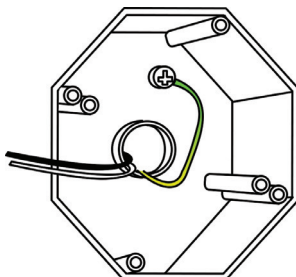
1. Remove your existing floodlight from the junction box, and disconnect the wires. If there is a crossbar attached to your junction box, remove it also.



2. Remove the crossbar attached to your junction box.



3. Secure the ground wire.

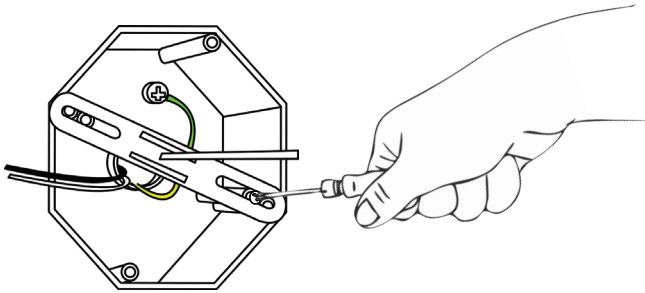


# Installing Your Floodlight

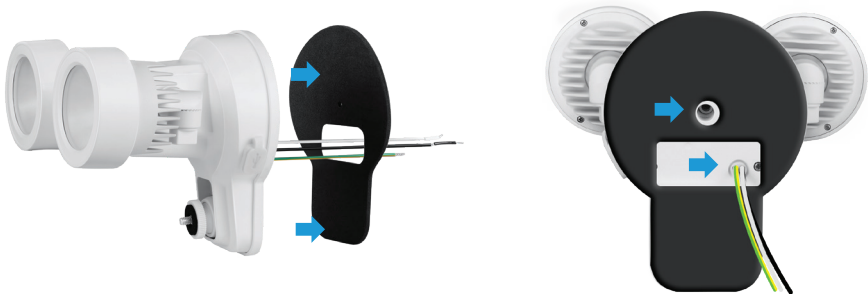
---

## **Installing the Floodlight to the Junction Box**

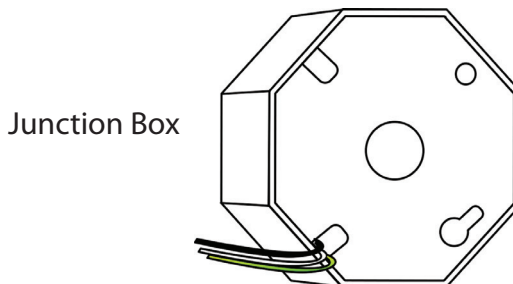
1. Attach the crossbar included in the package to the junction box with the screws.



- 2a. Remove the protective tape from the EVA gasket. Press the adhesive side firmly against the rear of the floodlight.
- 2b. Ensure that the center screw hole and wire slot of the foam gasket are aligned with the screw hole and wire slot.



3. Before securing the cover of your junction box, thread the wires through the slot on the bottom of the plate to access them during installation.



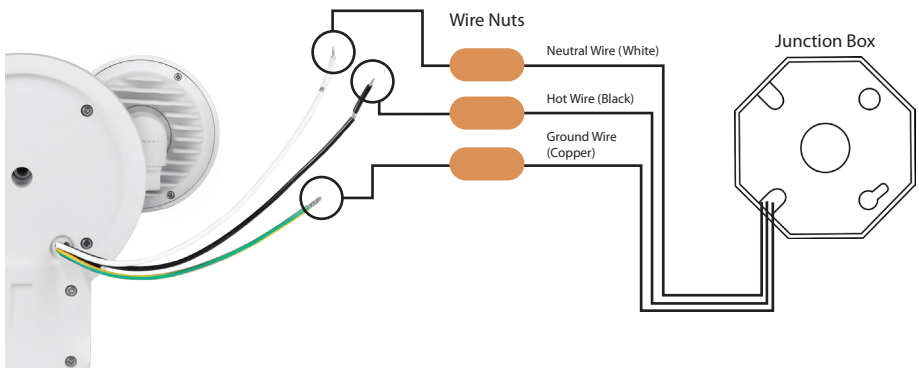
# Installing Your Floodlight

## ***Wiring the Floodlight and Junction Box Through the EVA Gasket***

The white wire on your floodlight is a neutral wire.

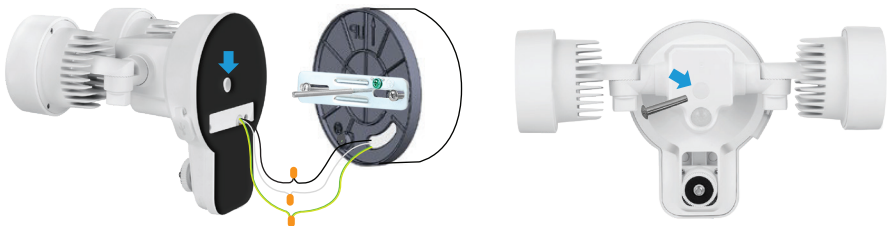
The black wire on your floodlight is a hot wire.

1. Connect the green and yellow wire from the floodlight to the existing ground wire inside the junction box. Use the included wire nut to connect the wires properly.
2. Using a wire nut, connect the white neutral wire from the floodlight to the neutral wire of the junction box.
3. Using a wire nut, connect the black hot wire from the floodlight to the hot wire of the junction box.



4a. Make sure the wire connections are secured. Carefully place the wires into the junction box.

4b. Mount the floodlight onto the crossbar and secure it with the screw cap provided.



**Important:** Before mounting the floodlight, completely apply the EVA gasket around the perimeter of the cover plate where the back of the cover plate meets the mounting surface. This prevents water from seeping into the junction box.



# Installing Your Floodlight

5. Switch on the electricity, checking that the wiring has been done correctly and that the floodlight turn on.

**Note:** The floodlight will provide continuous charging to the USB port 24/7, however, the motion sensor will only get triggered and turn the lights on when it is dark outside (i.e., during night time).



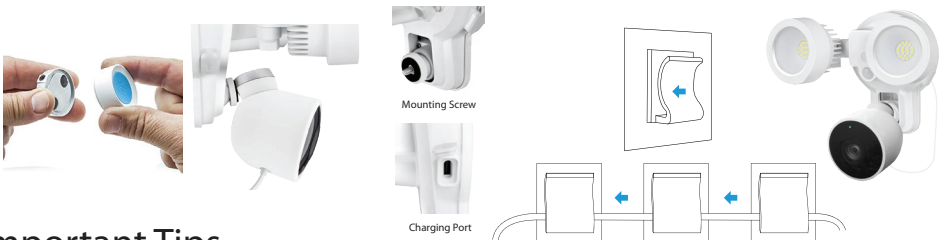
## Testing the Floodlight

Please test your floodlight by using the remote controller. Flip through the remote controller features to find features ideal settings that works for you.

We recommend using the “Test” mode from your remote first after installing your floodlight and before mounting the camera to ensure that the wiring is correct.

## Mounting Your Camera (Nest Cam Outdoor)

1. To power your camera via the floodlight, screws in the magnetic base to the floodlight.
2. With the magnetic base in place, add your Nest Cam Outdoor.
3. Open the USB port cap of the floodlight and connect the cable. Press in firmly.
4. Adjust the camera to your preferred viewing angle. You may use the video streaming feature in the Nest app to fine-tune your camera’s position.
5. Stick the cable clips adhesive sides onto the wall by peeling their back skins. Run the wires of the Nest Cam Outdoor camera through the gaps in the cable clips for a better cable management.



## Important Tips

1. Assess where intruders are most likely to enter and the path they would take. Most intruders enter the home through a back door, patio door, or garage door. Therefore, it is advisable to place the floodlight near entrances to your home.
2. Mount the floodlight on walls that an intruder would walk alongside, such as a narrow pathway. The motion sensor works best when movements are detected parallel to the floodlight, not towards it.

## Important Tips

---

3. You can also mount the floodlight beside your security camera to illuminate the camera's vision at night.
4. Although the floodlight is weatherproof, it is advisable to mount it to a wall shaded from the rain and sunlight to maximize battery life.

## FAQ

---

**1. When the floodlight turns off, will it turn back on if the motion is still taking place? Is there a certain amount of time that must pass first, like a re-set?**

When the floodlight is not in Dusk to Dawn mode, it will stay on as long as there is motion within its zone of 13 to 33ft.

**2. What is the range of the remote control?**

You can use the remote control within a distance of 33ft from the floodlight.

**3. Is a solar panel recommended or will the hard-wired floodlight keep the camera charged?**

The solar panel is not required as the hard-wired floodlight's USB port will keep the camera powered continuously.

**4. After installing the floodlight, how can I confirm that it's working?**

After finishing your installation, you can switch the floodlight to Test mode. Try waving your hands in front of the floodlight. If all of your connections are fine, the floodlight will light up in the presence of motion.

In case it does not light up during the Test mode, then please check your wiring, especially the color match of the wiring cables. Or, allow for up to 10 minutes reset time for the floodlight without triggering them.

## Specification

---

Plastic Material	: PC + Aluminum
Sensor Angle Range	: 120°
Sensor Distance Thresholds	: 13 to 33 ft (4 to 10 m)
Max LED Light Intensity	: 2000 Lumens
Color Temperature	: 5500 - 6500 K
Power	: AC 120V

Nest Cam Outdoor not included.  
Wasserstein is not affiliated with Google LLC.  
Wasserstein is a trademark of Dropcases Ltd.  
Nest Cam Outdoor is a trademark of Google LLC.

  
WASSERSTEIN®

For more information, visit:  
[www.wasserstein-home.com](http://www.wasserstein-home.com)  
or contact us at:  
[contact@wasserstein-home.com](mailto:contact@wasserstein-home.com)  
Made in China