



WASSERSTEIN

2 in 1 - Solar Charger & Security Light

Compatible with Arlo Pro 3 / Pro 4 / Ultra / Ultra 2

User Manual



Table of Contents

Package Includes	2
Safety Information	2
Features	2
Best Practices to Optimize Motion Detection	3
Pre - Installation	4
Mounting the Solar Spotlight Charger	4
Connecting to a Security Camera	5
Charging Time	5
Important Notes	5
FAQ	6
Specifications	6

Package Includes

- 1 x Solar Spotlight Charger
- 1 x Charging Cable
- 2 x Screws
- 2 x Anchors
- 1 x User Manual



Safety Information

- Keep the Solar Spotlight Charger away from high temperatures to avoid leakage or combustion of the internal battery. Do not mount it near chimneys, exhausts, air conditioners, open-flame grills, boilers, or furnaces.
- Disassembling the Solar Spotlight Charger is not recommended as it may cause damage to internal components. The Solar Spotlight Charger may not function properly after disassembly.
- Make sure the Solar Spotlight Charger is properly installed onto the wall with screws to prevent it from falling.
- The Solar Spotlight Charger can be tilted at different angles. If you feel resistance when tilting and adjusting the solar panel and the spotlight, stop. It may break the Solar Spotlight Charger.

Features



Solar-Powered



Waterproof, Heatproof,
and Durable



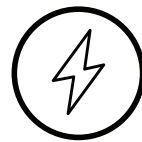
Day and Night
Sensor



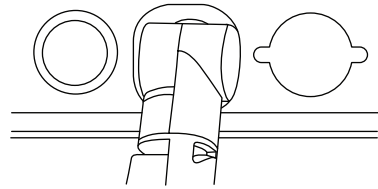
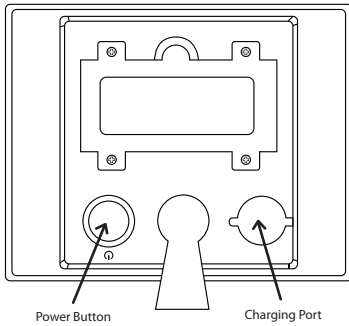
PIR Motion
Sensor



400 Lumens
of Light

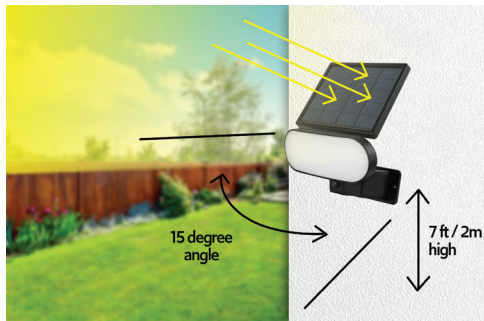


Charge your
camera

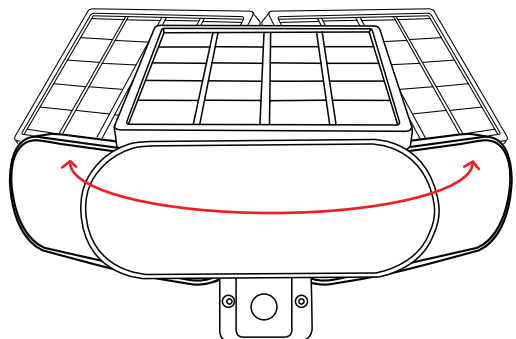
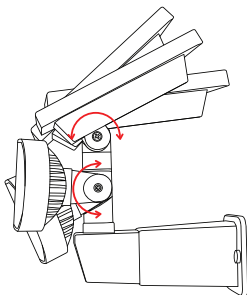


The solar panel and the spotlight can be tilted, rotated and adjusted easily to the desired angle and view.

Best Practices to Optimize Motion Detection



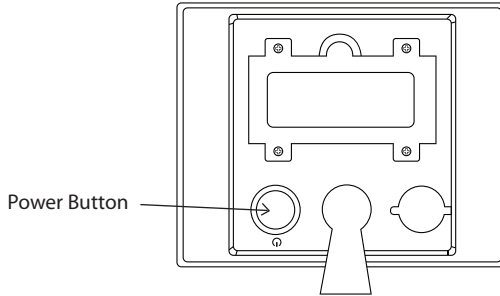
1. Mount the Solar Spotlight Charger at least 7 ft (2 m) above the ground and aim it slightly downward (at least 15° downward) for the most effective results.
2. Make sure that there are no unwanted side-to-side movements, such as passing cars, that cross the detection zone regularly. The motion sensor is more sensitive to side-to-side movements across its field of view than to movements directly toward or away from the Solar Spotlight Charger.
3. The best range for motion detection is around 5 to 20 ft (1.5 to 6 m) from the Solar Spotlight Charger's position.



Pre - Installation

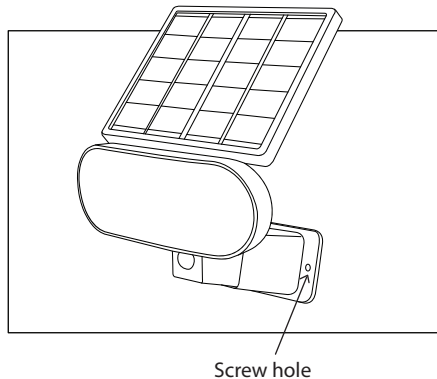
1. Please charge the internal battery by placing the Solar Spotlight Charger in direct sunlight for 10 hours. Make sure the solar panel faces towards the sun.
2. After you have charged it, press the power button to turn the Solar Spotlight Charger on, it should light up to check if it functions normally.

Note: During daylight, the LED spotlight will not light up. You need to have a darker environment for the LED Spotlight to turn on.



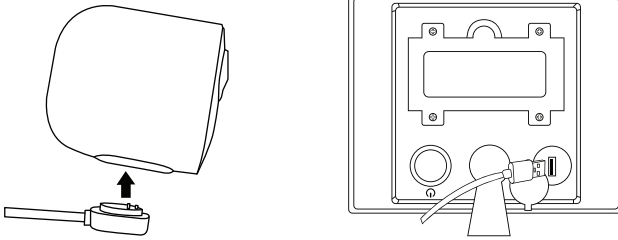
3. Press the power button to off and proceed to mounting.

Mounting the Solar Spotlight Charger



1. Mark and then drill two holes on the wall for attaching the Solar Spotlight Charger. Ensure that the drill holes align with the holes of the Solar Spotlight Charger base holes. (Refer to the diagram above)
2. Install the base of the Solar Spotlight Charger onto the wall using the provided screws and anchors. Ensure that the Solar Spotlight Charger is perpendicular to the wall.
3. Turn the power button on after you have mounted the Solar Spotlight Charger.

Connecting to a Security Camera



1. You can connect the Solar Spotlight Charger to your security camera to begin charging the camera.
2. Open the charging port of the Solar Spotlight Charger and insert the USB-A end of the charging cable. Connect the magnetic cable end to the camera at the magnetic charging port. Make sure it is connected firmly. It will start charging your camera automatically.

Note: Press firmly after you have plugged in the cable to make sure it is sealed well.

Charging Time

You need to ensure that the solar panel faces the sun for 10 hours straight to fully charge its internal battery.

Note: The Solar Spotlight Charger is designed to keep your outdoor camera's battery fully charged but heavy usage of your camera can drain the camera battery faster than the Solar Spotlight Charger can recharge it.

Important Notes

1. Assess where intruders are most likely to enter and the path they would take. Most intruders enter the home through a back door, patio door, or garage door. Hence it is advisable to place the Solar Spotlight Charger near entrances to your home.
2. Mount the Solar Spotlight Charger on walls that an intruder would walk alongside, such as a narrow pathway. The motion sensor works best when movements are detected parallel to the Solar Spotlight Charger, not towards it.
3. You can also mount the Solar Spotlight Charger charger next to your security cameras to illuminate the camera's vision at night.
4. Make sure that the Solar Spotlight Charger is consistently in direct sunlight and it is not obstructed by trees, buildings, or other obstacles.
5. The surface of the Solar Spotlight Charger must be kept clean. If the light's solar panel is dusty or dirty, it will influence the efficiency of the light's ability to charge.

FAQ

Q: Light will not switch on

- a. Ensure that the device is powered on by pressing the power button located at the back of the Solar Spotlight Charger.
- b. Ensure that the internal batteries have been fully charged in direct sunlight for 10 hours.
- c. Nearby surrounding light may be too bright for the Solar Spotlight Charger to turn on. Wait for it to be darker so that the Solar Spotlight Charger can turn on.

Q: Light flashes on and off

- a. Battery levels may be low. Turn the light off by pressing the power button and let the sun charge the internal battery.

Q: Light is not as clear as usual

- a. Battery levels may be low. Turn the light off by pressing the power button and charge the internal battery.
- b. The surface of the Solar Spotlight Charger must be kept clean. If its solar panel is dusty or dirty, it will influence the efficiency of the light.

Specification

- Solar Panel : 5V / 3W
- Lumens : 400 LM
- LED Color : 5500 - 6500K
- Waterproof : IP64
- PIR sensor range : 26 feet (8m)

Arlo Cameras not included.

Wasserstein is not affiliated with Arlo Technologies, Inc.

Wasserstein is a trademark of Dropcases Ltd.

Arlo is a trademark of Arlo Technologies, Inc.

W

WASSERSTEIN™

For more information, please visit:

www.wasserstein-home.com

or contact us at:

contact@wasserstein-home.com