

RAGE

3-AXIS HANDHELD GIMBAL

FOR MIRRORLESS CAMERAS



EVO
GIMBALS.COM

[USER MANUAL V1.1]

IMPORTANT MESSAGE

Thank you for choosing EVO Gimbals as your camera stabilization solution! We know that buying a new product can be very exciting and we are sure that you probably can not wait to use your new gimbal! Before you start PLEASE read this manual and become familiar with your gimbal's components and operating modes.

We HIGHLY ENCOURAGE you to also watch our great tutorial videos on our website as a supplement to this manual.

BATTERY SAFETY!

Your Gimbal includes (2) Lithium Ion Batteries that must be handled with care! Here are some simple safety precautions you can take to ensure the best performance for your batteries.

- Always handle your batteries with care.
- Always store your batteries in a cool dry and well ventilated area.
- Never mix the batteries with different brand, type or model battery.
- Always charge batteries in proper charger.
- Keep out of reach of children
- Always pack batteries securely and avoid excessive shock and vibration
- Regularly inspect batteries for exterior wear.
- Never throw your batteries in the trash! Always be sure to recycle them at the appropriate battery recycling center.

Lithium-ion batteries should not be exposed to extreme temperatures. Heat and cold stress the batteries. Always charge and use your batteries at room temperature. If the battery has been exposed to extreme temperatures, allow the battery to return to room temperature before charging it or using it.

WARRANTY

Your new gimbal comes with a 1 Year Parts & Labor warranty. Be sure to register your warranty online at EVOGimbals.com

LATEST INFORMATION

For the latest user manuals, tutorial videos, firmware and calibration instructions please visit our official webpage at EVOGimbals.com

EVO
GIMBALS.COM

Phone: +1 541 728 3741
Website: www.evogimbals.com
Address: 20810 Sockeye Pl
Suite 200
Bend, Oregon 97701



BEFORE YOU BEGIN

Your new Rage gimbal has been carefully assembled and calibrated from the factory. Please take the time to read through this manual to become familiar with the gimbal's components and proper setup.

Please Be sure to charge your batteries fully before using your gimbal for the first time!

TIPS FOR BEST PERFORMANCE

1 - Pay Attention to Total Weight of Your Camera & Lens

Always be sure to stay within the recommended camera payload range of **350 - 1200 grams**, too much weight can overstress the motors and cause damage over time.

2 - Take the Time to Balance Your Gimbal

A well balanced gimbal is a healthy, efficient gimbal. The more time you take to properly balance each axis the better the gimbal will perform in stabilization and energy consumption.

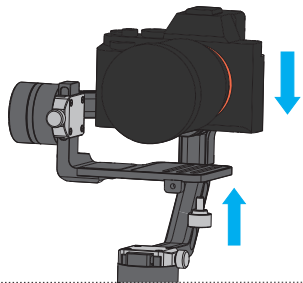
3 - Startup Calibration

Your Rage gimbal has an electronic gyroscope that is sensitive to temperature changes. Become familiar with the proper startup procedure when using the gimbal for the first time or when using the gimbal in new environment that may be much hotter or colder than when it was last used!

4 - Learn the Modes and Practice!

To get the best performance out of your Rage gimbal be sure to become familiar with all of the operating modes and practice switching between them. This will help you get the most out of your gimbal for capturing unique inspiring shots!

WARNING!

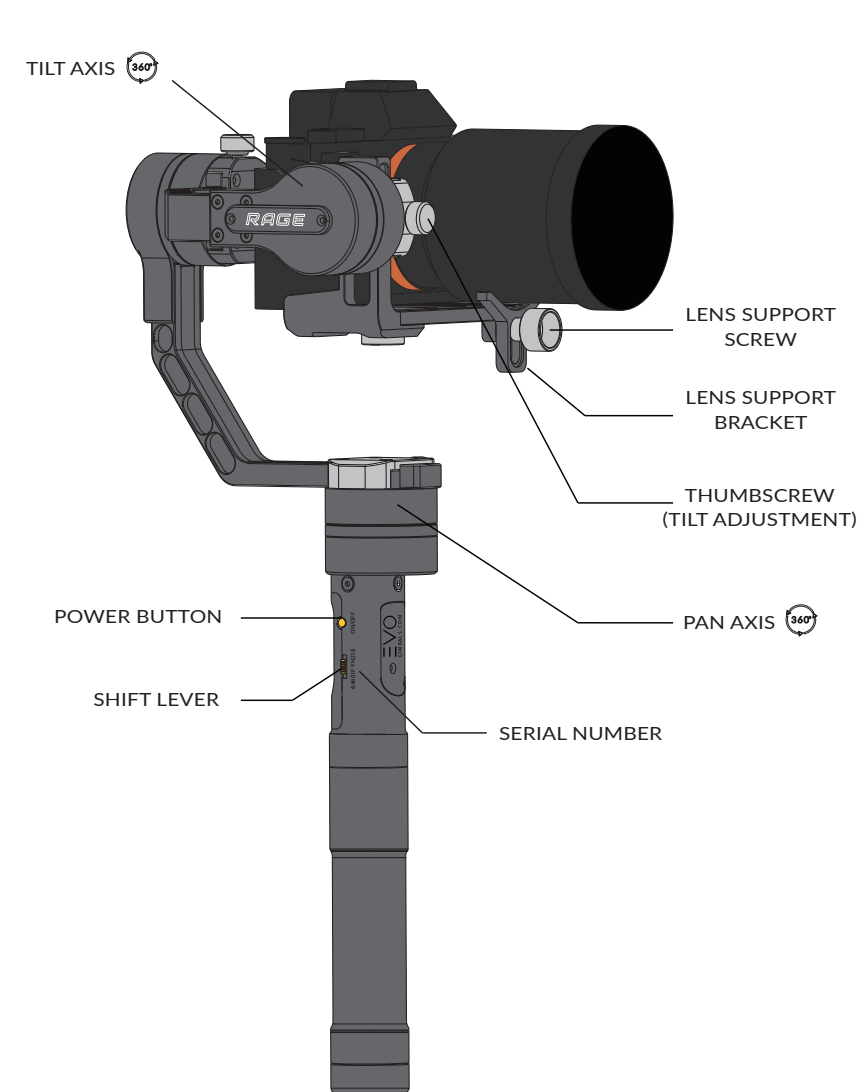
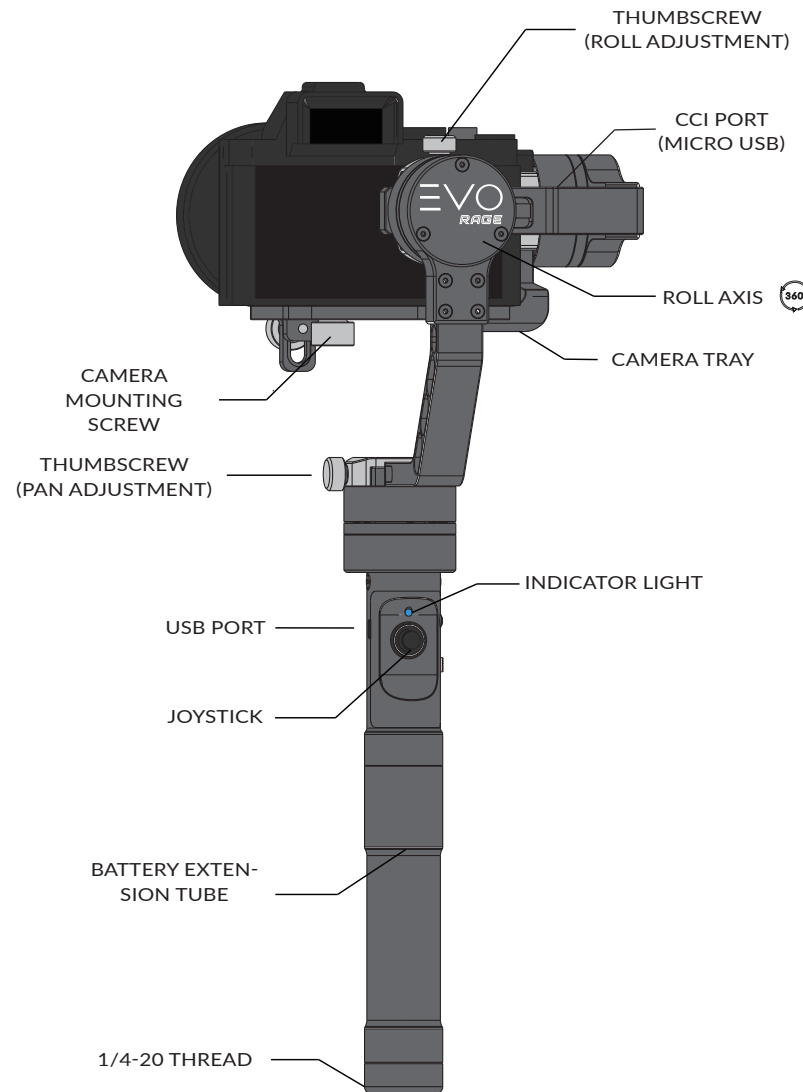


ALWAYS MOUNT YOUR CAMERA PRIOR TO POWERING ON!
FAILURE TO DO SO CAN DAMAGE THE UNIT!

IMPORTANT!

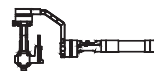
The Rage has an electronic gyroscope that can be affected by temperature. Always ensure proper startup calibration to ensure the best performance. Please refer to our tutorials videos (online) for more information on proper setup, startup and maintenance calibration.

OVERVIEW



EVO
RAGE

IN THE BOX



RAGE GIMBAL



CAMERA MOUNT SCREW



18650 LI-ION BATTERY (X2)



18650 LI-ION CHARGER



USER MANUAL



LENS SUPPORT BRACKET



LENS SUPPORT SCREW



MICRO USB CABLE



STORAGE CASE



1 YEAR USA WARRANTY

Please check that all items are included, if you are missing any items or components please contact your dealer immediately!

GETTING STARTED

01 UNPACK RAGE

First a big thank you for choosing EVO Gimbals! Before you begin please be sure to unpack your Rage and review your contents list!

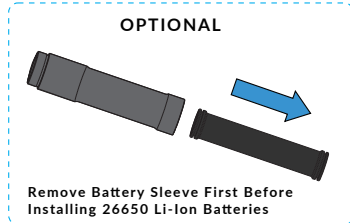
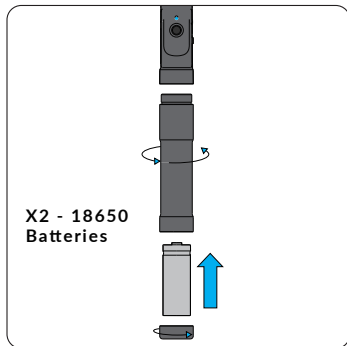
Your Rage should be packed with the following items (including this user guide):



02 INSTALL BATTERIES

Your new Rage gimbal comes with two 18650 Li-Ion Batteries good for up to 6 hours of runtime. Be sure to charge your batteries before first use (see charging).

Screw on the extension handle, install both batteries and tighten the battery cap.



As an option larger - higher capacity 26650 batteries can purchased to use in place of the 18650 batteries increasing the run time up to 12 hours. Please note that the included charger is for 18650 batteries only.

03 MOUNT CAMERA



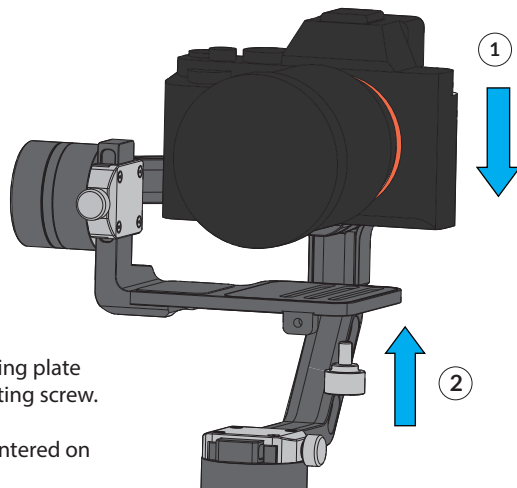
CAMERA MOUNT SCREW (X1)

SUPPORTED CAMERA/LENS WEIGHT RANGE:

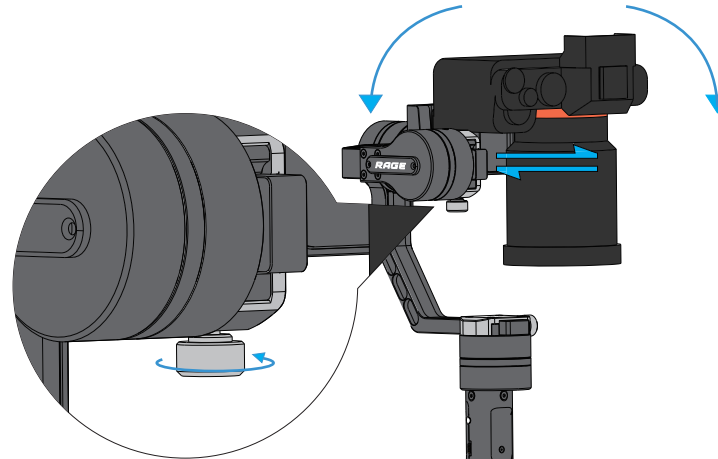
350 - 1200g (0.76 - 2.65lb)

Mount your camera to the mounting plate using the provided camera mounting screw.

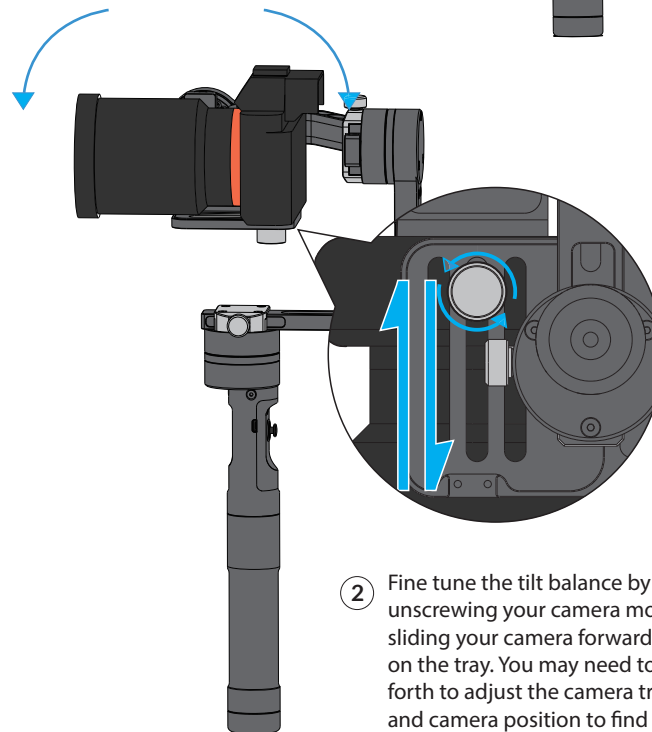
Adjust your camera so that it is centered on the mounting plate.



04 BALANCE TILT AXIS

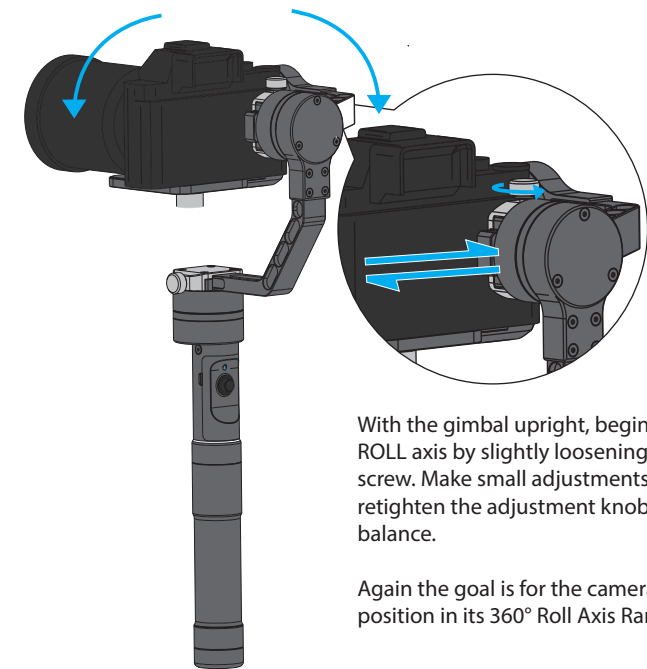


1 With the gimbal upright, begin balancing the Tilt axis by slightly loosening the Tilt thumbscrew. Make small adjustments to the height of the camera tray and retighten the adjustment knob to check for balance.



2 Fine tune the tilt balance by slightly unscrewing your camera mount screw and sliding your camera forward and backward on the tray. You may need to go back and forth to adjust the camera tray height to and camera position to find the center of gravity. The goal is for the camera to hold any static position in its 360° Tilt Axis Range.

05 BALANCE ROLL AXIS



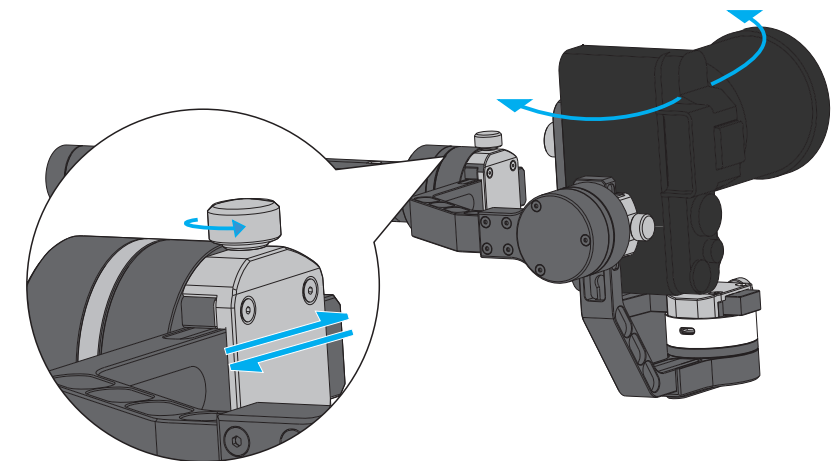
With the gimbal upright, begin balancing the ROLL axis by slightly loosening the Roll thumbscrew. Make small adjustments Left & Right and retighten the adjustment knob to check for balance.

Again the goal is for the camera to hold any static position in its 360° Roll Axis Range.

06 BALANCE PAN AXIS

With the gimbal horizontal on its side, begin balancing the PAN axis by slightly loosening the Pan axis thumbscrew. Make small adjustments Front & Back and retighten the adjustment knob to check for balance.

Adjust your camera so that it is centered on the mounting plate.



For more information on the Rage and tutorial videos on balancing and setup please visit our webpage www.EVOGimbals.com

OPERATING MODES

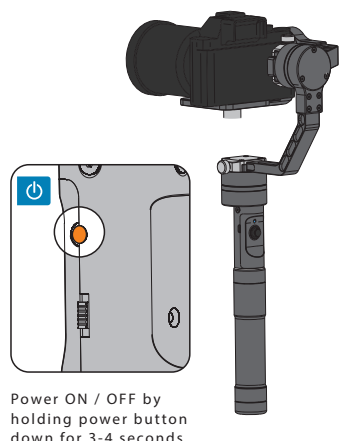
01 POWER ON/OFF

Holding your gimbal upright, power the gimbal ON by holding down the power button for 3-4 seconds. The gimbal will initialize and power on motors automatically.

Your Rage will be in Pan Follow Mode by default on each startup.

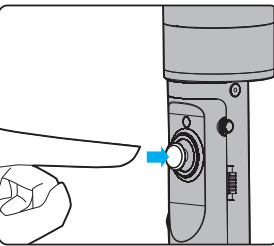
To power motors OFF (Standby Mode) simply hold the thumbstick down for 2 seconds. To power the motors back ON hold the thumbstick down for another 2 seconds.

To power the gimbal OFF hold the power button down for 3-4 seconds.



Power ON / OFF by holding power button down for 3-4 seconds

02 SWITCH MODES



Your Rage gimbal comes pre-programmed with 3 main operating modes.

To switch between the operating modes simply click the thumbstick in once or twice to switch back and forth.

PAN FOLLOW (DEFAULT) - 1 CLICK

Roll & Tilt Axis are locked. Pan axis smoothly follows left and right. Use the thumbstick, smartphone APP or bluetooth remote to control Tilt angle.

PAN & TILT FOLLOW - 2 CLICKS

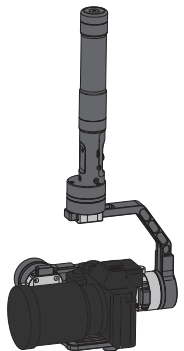
Roll axis is locked. Pan axis and Tilt axis smoothly follows left/right + up/down. Use thumbstick, smartphone APP or bluetooth remote to control Roll angle of camera. To return to the previous mode simply click the thumbstick 1 time.

LOCK MODE - 2 CLICKS

Tilt, Roll and Pan axis are locked. Use thumbstick, smartphone APP or bluetooth remote to control Tilt and Pan angle of camera. To return to the previous mode simply click the thumbstick 1 time.

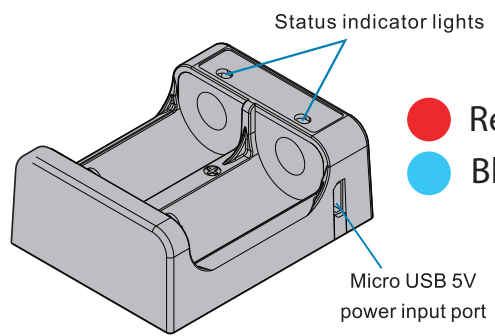
INVERTED MODE

The gimbal can be used inverted while activated in any of the 3 stabilization modes above. To invert your handle simply rotate the handle either clockwise or counter clockwise to bring the handle around the gimbal to the top.



CHARGING BATTERIES

Connect charger to any standard USB outlet or phone charger using the included Micro USB cable. Batteries take approximately 2 to 3 hours to fully charge. Shorter charge times can be achieved using higher mA rating AC/DC adapter.

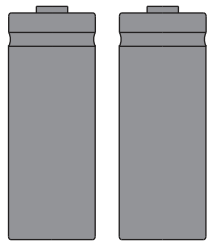


● Red Light = Charging
● Blue Light = Finished

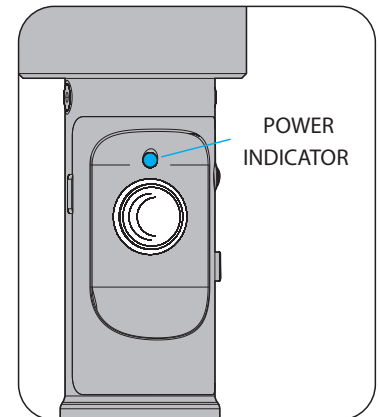
Input: DC 5V / 800mA
Output: 4.2V / 400mA x2

ALWAYS USE GENUINE 18350 or 26650 OEM EVO BATTERIES!

Your gimbal must be matched with the original batteries to guarantee performance, long life and safety! Never pair different brand or different model batteries together.



Additional batteries can be purchased from your dealer or direct from EVOGimbals.com



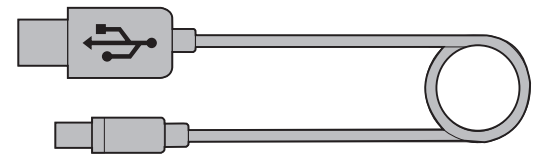
● POWER INDICATOR LIGHT

Monitor Remaining Battery Power:

- 4 Flashes = 75-100%
- 3 Flashes = 50-75%
- 2 Flashes = 25-50%
- Flashes Quickly = 0-25%

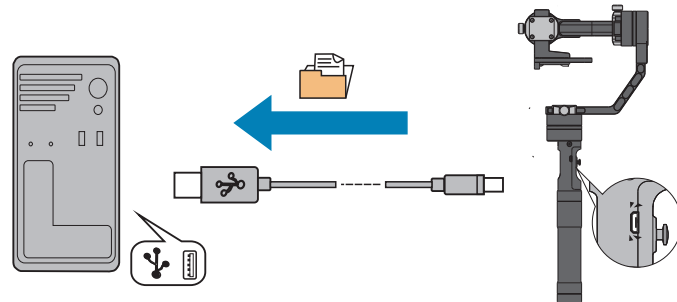
MICRO USB CONNECTION

FIRMWARE UPGRADE / SOFTWARE CALIBRATION



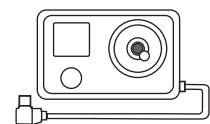
Connect gimbal to your computer using the included Micro USB cable to upgrade the firmware or to use the software calibration tool.

For the latest firmware upgrades, user manuals and software calibration please visit www.EVOGimbals.com and click on Downloads.



Note: Batteries cannot be charge through Micro USB port.

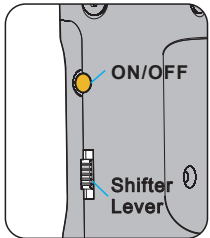
CCI CAMERA CONTROL



CCI CONTROL

Your Rage gimbal can be setup to control the basic functions of your camera using the CCI camera control interface cable (sold separately).

Compatible Cameras:
Sony A7S & Panasonic Lumix Series



CCI control allows you to triggers start/stop recording by using the power button of the gimbal. You can also control zoom (if applicable) or focus using the shift lever on the handle. For more information please visit EVOGimbals.com

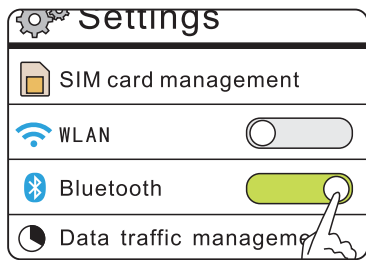
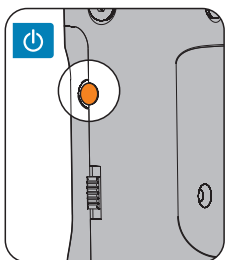
CONNECT TO EVO REMOTE APP

DOWNLOAD CONTROL APP

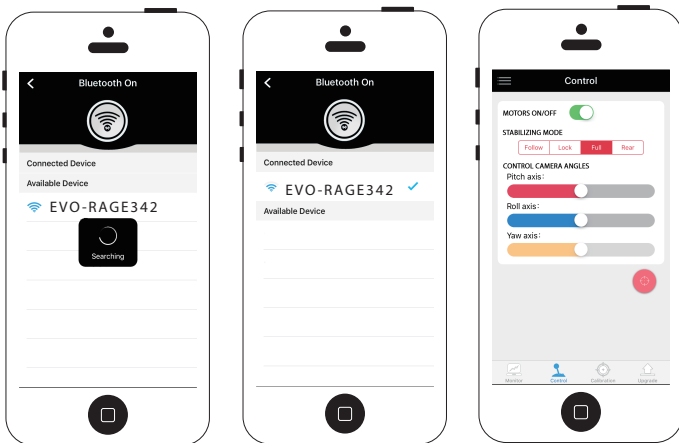
For Android users (Supports Android 4.3+) please download Android APP from EVOGimbals.com

For iOS users please search and download APP ("EVO Control") on the iOS APP store.

CONNECT TO YOUR GIMBAL



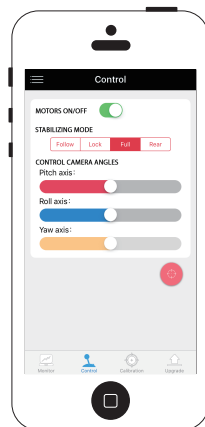
- 1 Power on gimbal by pressing power button.
- 2 Turn on Bluetooth in your smartphone settings menu.



Open the EVO Control APP and search for the EVO RAGE bluetooth signal. Select the gimbal and the APP will automatically connect. Select "Control" from the bottom menu to view the control screen.

Remotely power on the motors by pressing the Power button at the top of the screen.

For the latest information on the EVO Control APP and its function please go to EVOGimbals.com

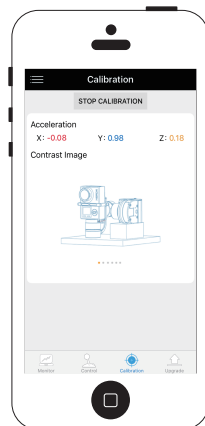


REMOTE CONTROL

The control page allows you to remotely control your EVO RAGE.

You can put the gimbal into Standby mode by powering the motors ON/OFF.

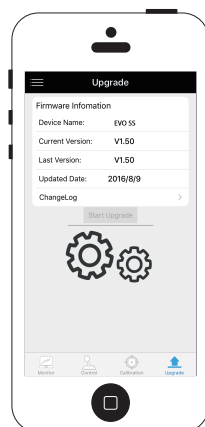
This control page also allows you to remotely switch mode selection and allows your camera angles with control of the Tilt, Roll and Pan axis.



CALIBRATION

The calibration page allows you to remotely complete the 6-Point Calibration procedure (see Offline Calibration section).

Click START CALIBRATION and then place gimbal as shown in the image, once the position is successfully logged the image will change to the next step until all 6 positions are logged.

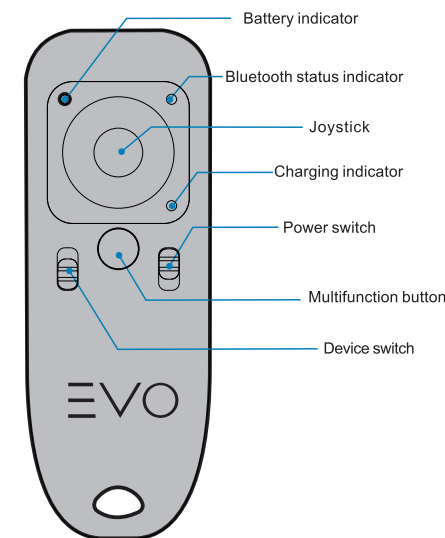


UPDATE

The Update page provides information on the firmware version of your gimbal and provides information on any available updates.

To update the firmware simply click START UPDATE. Please note that you will need to be connected to the internet either through WiFi or your data connection with your mobile carrier (data fees may apply) in order to download and install the latest firmware.

WIRELESS REMOTE



Wireless Remote Binding Instructions

1. Place remote within 5 feet of gimbal.
2. Hold down the multifunction button while switching on the power switch.
3. Bluetooth Indicator light will rapidly flash while connecting. Indicator light will illuminate solid when connected successfully.



Note: Wireless remote sold separately.

Battery Indicator

4 Flashes = 75-100%
3 Flashes = 50-75%
2 Flashes = 25-50%
Flashes Quickly = 0-25%

Bluetooth Status Indicator

Continuous Flashing = Not Connected
Solid Light = Connected
Flash Once = Device Switch

Charging Indicator

Red = Charging
Green = Fully Charged

Power Switch

UP = Power On
DOWN = Power Off

Device Switch

UP = Remote Control
DOWN = Smartphone Control

Multifunction Button

Single click to return gimbal to original position.

Joystick

Single Click the joystick to switch between operating modes. Heading Follow Mode (default) and Heading Lock Mode.

Double Click the joystick to enter Heading & Pitch Follow Mode. Single click the joystick again to exit this mode and return to previous mode. Please refer to the Operating Modes section of the manual for more details.

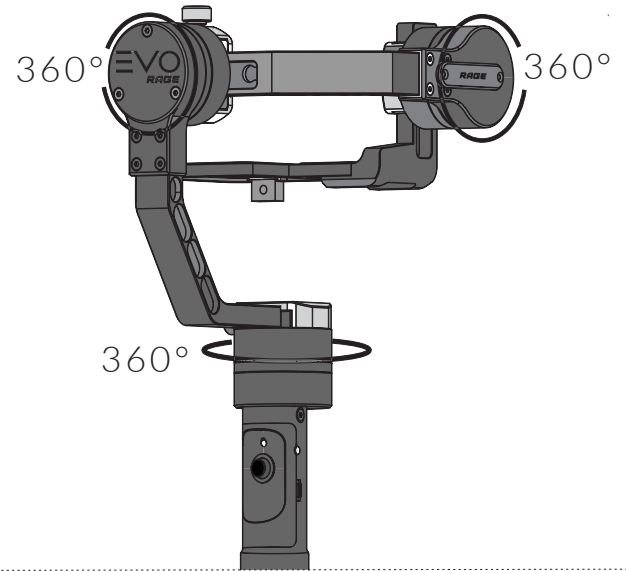
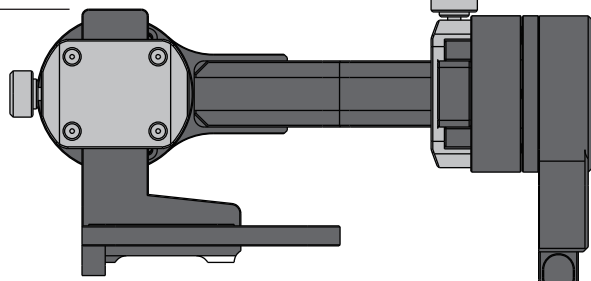
Remote Specifications:

Charging Voltage: 5V
Battery Life: ~30 Hours
Battery Capacity: 150mAh
Transmit/Receive Current: 11.9mA
Normal Operating Current: 2.8mA
Max Control Distance: ~30' Feet

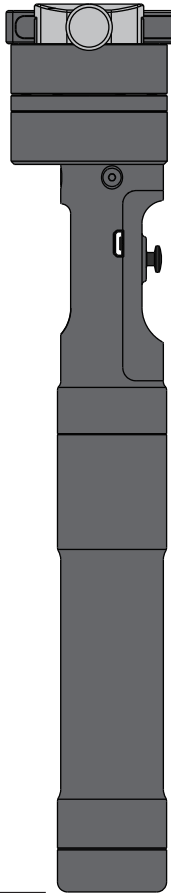
SPECIFICATIONS & PERFORMANCE

EVO
RAGE

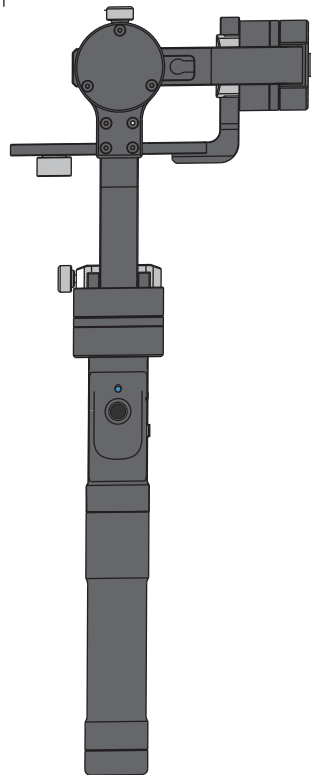
154mm



389 - 402mm



159mm



SPECIFICATIONS

Dimensions:

Length: 154mm

Width: 159mm

Height: 389-402mm

Operating Current:

80mA-6000mA

Operating Temperature:

5F°-115F° (0C°-45C°)

Run-Time:

6h-12h

Gimbal Weight:

950g (no batteries)

Camera Payload:

350g-1200g

Tilt, Roll, Pan Axis Range:

360° (unlimited rotation)

Battery:

Lithium Ion

Battery Type:

18650 or 26650

Battery Voltage:

3.7V

Charger Current:

800mAh

Charger Input Voltage:

5V USB

LIMITED WARRANTY

EVO Gimbals ("EVO Gimbals") warrants this product against defects in material or workmanship for the time periods and as set forth below. Pursuant to this Limited Warranty, EVO Gimbals will, at its option, (i) repair the product using new or refurbished parts or (ii) replace the product with a new or refurbished product. For purposes of this Limited Warranty, "refurbished" means a product or part that has been returned to its original specifications. In the event of a defect, these are your exclusive remedies.

Labor: For a period of one (1) year from the original date of purchase of the product ("Labor Warranty"), EVO Gimbals will, at its option, repair or replace with new or refurbished product, product determined to be defective. If EVO Gimbals elects to replace the product after this Labor Warranty has expired but while the Parts Warranty below is still in effect, it will do so for the applicable labor charge.

Parts: For a period of one (1) year from the original date of purchase of product ("Parts Warranty"), EVO Gimbals will supply new or refurbished replacement parts in exchange for parts determined to be defective.

This Limited Warranty covers only the hardware components packaged with the Product. It does not cover technical assistance for hardware or software usage and it does not cover any software products whether or not contained in the Product; any such software is provided "AS IS" unless expressly provided for in any enclosed software Limited Warranty. Please refer to the End User License Agreements included with the Product for your rights and obligations with respect to the software.

Instructions: To obtain warranty service, you must deliver the product, freight prepaid, in either its original packaging or packaging affording an equal degree of protection to the EVO Gimbals authorized service facility specified. It is your responsibility to backup any data, software or other materials you may have stored or preserved on your unit. It is likely that such data, software, or other materials will be lost or reformatted during service and EVO Gimbals will not be responsible for any such damage or loss. A dated purchase receipt is required. For specific instructions on how to obtain warranty service for your product,

Visit Our Official Web Site:
www.EVOGimbals.com

Or email EVO Gimbals Customer Support
support@evogimbals.com

For an accessory or part not available from your authorized dealer please visit our website.

Repair / Replacement Warranty: This Limited Warranty shall apply to any repair, replacement part or replacement product for the remainder of the original Limited Warranty period or for ninety (90) days, whichever is longer. Any parts or product replaced under this Limited Warranty will become the property of EVO Gimbals.

This Limited Warranty only covers product issues caused by defects in material or workmanship during ordinary consumer use; it does not cover product issues caused by any other reason, including but not limited to product issues due to commercial use, acts of God, misuse, limitations of technology, or modification of or to any part of the EVO Gimbals product. This Limited Warranty does not cover EVO Gimbals products sold AS IS or WITH ALL FAULTS or consumables (such as fuses or batteries). This Limited Warranty is invalid if the factory-applied serial number has been altered or removed from the product. This Limited Warranty is valid only in the United States.

LIMITATION ON DAMAGES: EVO GIMBALS SHALL NOT BE LIABLE FOR ANY INCIDENTAL OR CONSEQUENTIAL DAMAGES FOR BREACH OF ANY EXPRESS OR IMPLIED WARRANTY ON THIS PRODUCT.

DURATION OF IMPLIED WARRANTIES: EXCEPT TO THE EXTENT PROHIBITED BY APPLICABLE LAW, ANY IMPLIED WARRANTY OF MERCHANTABILITY OR FITNESS FOR A PARTICULAR PURPOSE ON THIS PRODUCT IS LIMITED IN DURATION TO THE DURATION OF THIS WARRANTY.

Some states do not allow the exclusion or limitation of incidental or consequential damages, or allow limitations on how long an implied warranty lasts, so the above limitations or exclusions may not apply to you. This Limited Warranty gives you specific legal rights and you may have other rights which vary from state to state.

WARRANTY INFORMATION

WARRANTY PERIOD:

The warranty period is (1) Year from the original date of purchase. During this warranty period, under normal use, EVO Gimbals will at its option, repair and/or replace parts determined to be defective.

WARRANTY DOES NOT COVER:

1. Any unauthorized maintenance, misuse, collision, liquid infiltration (water damage), or modifications.
2. Incorrect Use of Product: altering software, removing serial numbers/logos, using cameras not approved by EVO.
3. Damage due to fire, flood, acts of God, misuse and related damage.
4. Any prepaid freight for warranty service.

WARRANTY SERVICE:

If any product issues arise please contact your dealer first. Many gimbal performance problems can be solved with a simple calibration sequence. Be sure to visit www.EVOGimbals.com for the latest tutorial videos.

If it is found that service on your gimbal is needed please visit our official website (www.EVOGimbals.com) or email us support@evogimbals.com to start a warranty claim.

WARRANTY REGISTRATION:

Please register your warranty so we can provide you with the latest firmware updates, user manuals and tutorial videos. **To register your warranty please and/or obtain warranty service for your gimbal,**

Visit Our Web Site:
www.EVOGimbals.com

CONTACT US:

Email: support@evogimbals.com
Online: www.EVOGIMBALS.com
Phone: +1 541 728 3741
Address: 20810 Sockeye Pl
Suite 200
Bend, OR 97701



The logo features the word "EVO" in a large, stylized font where the 'V' is formed by two downward-pointing chevrons. To the right of "EVO" is a large circle. Below this graphic, the text "GIMBALS.COM" is written in a clean, sans-serif font.