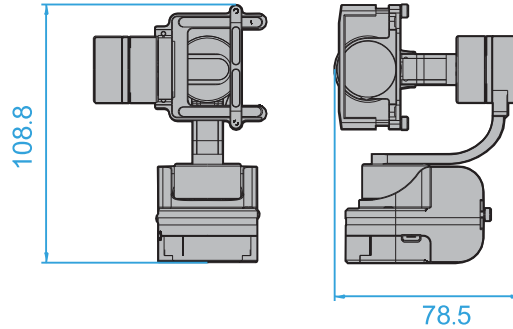


Technical Specs

Dimensions (mm)



MAX CAMERA DIMENSIONS
Height: 42.7mm
Width: 31mm



Stabilization Accuracy:	±0.01°
Follow Accuracy:	±0.2°
Pan Axis Range:	-320° to +320°
Tilt Axis Range:	-185° to +130° (Inverted)
Roll Axis Range:	-40° to +40°
Tilt Axis Control Speed:	Min 1°/s Max 50°/s
Pan Axis Control Speed:	Min 1°/s Max 80°/s
Motor Type:	3x Triple Wound HT Brushless
Working Current Static Current:	6.8 mA (at 6.8 VDC)
Dynamic Current:	120mA (at 8.4 VDC)
Max Motor Current:	2A maximum (at 12.6 VDC)
Camera Charging Current:	800mA
Camera Charging Voltage:	4.5V-5.1V
Sensors:	IMU module, HD Encoders
Batteries:	IMR 18650, 2000mAh x2 (included)
Operating Temperature:	-5 to 122°F / -15 to 50°C
Weight:	0.45 lbs / 180g (unloaded)
Supported Cameras:	GoPro Hero 3/Hero 3 GoPro Hero4 Silver / Black GoPro Hero4 Session (adapter req.) SJ4000 & Xiao Yi Cameras

Shipping Details

UPC (GS1)	852709005653
HST CODE	8525.80.10
Product Dimensions (mm)	78 x 73 x 109 (W x D x H)
Product Weight (grams)	180g
Product Packaging Size (mm)	246 x 198 x 61 (L x W x H)
Product Package Weight (grams)	1030g
Carton Size (mm)	450 x 360 x 300 (L x W x H)
Carton Quantity	10 Units
Carton Weight (Kg)	11.5kg / Carton

Lithium Battery Information

Battery Model	IMR-18350
Size	18.2mm x 35mm (Dia. X L)
Total Number of Batteries	4
HAZMAT UN#	UN3481
# of Batteries in Product	0
# of Batteries Outside of Product	4
Number of Cells	1
Lithium Content (grams)	0.30g
Watt Hours (Wh) per Battery	3.3Wh



EVO Gimbals
20810 Sockeye Pl. Suite 200
Bend, Oregon 97701
Tel: +1 866 977 6688