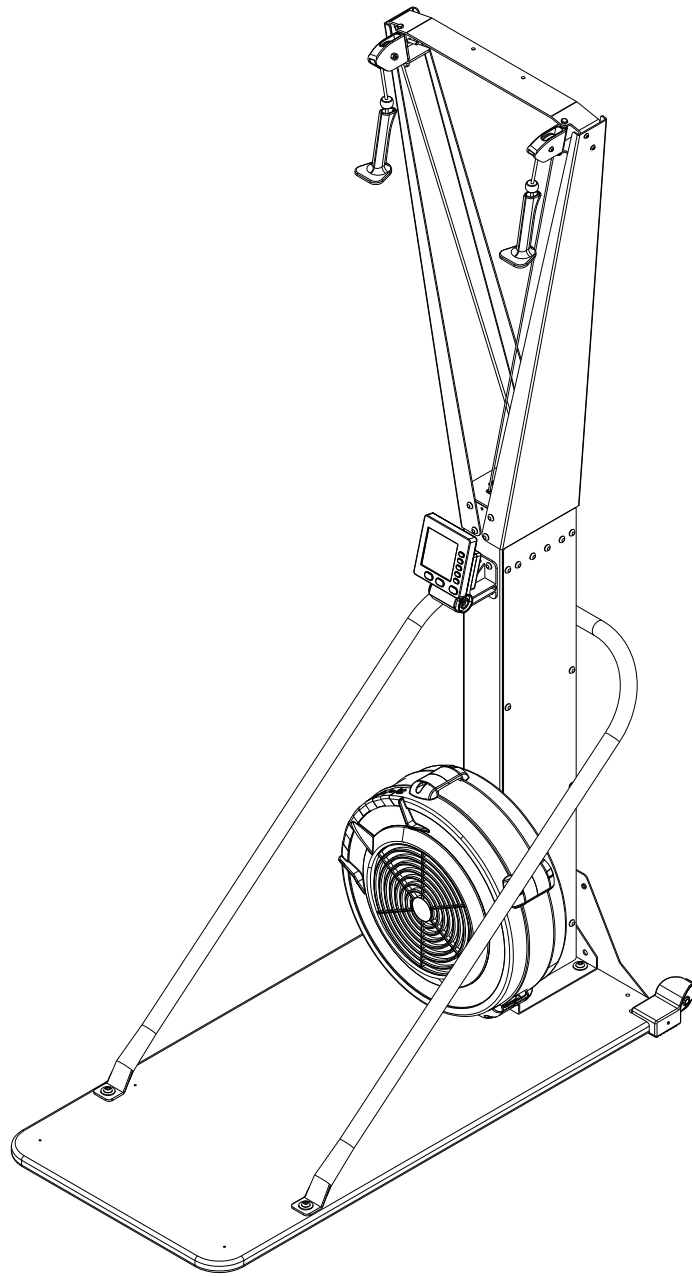


# SMAI™

## SKI MACHINE FLOOR STAND ASSEMBLY



# **Table of Contents**

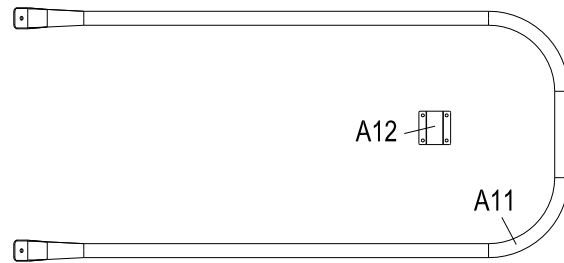
---

GENERAL PARTS IDENTIFICATION	PAGE 3
ASSEMBLY INSTRUCTION	PAGE 4-9
EXPLODED DRAWING	PAGE 10
PART LIST	PAGE 11

(2019/ 06) (SF-01)

# ***FLOOR STAND ASSEMBLY***

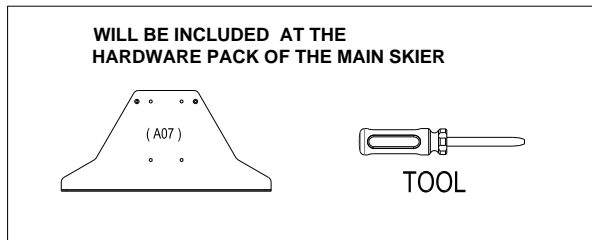
## ***GENERAL PARTS IDENTIFICATION***



Ⓞ C06 X 4

↪ B18 X 8

↪ B19 X 6



1	<b>MOUNTING BRACKET(A07) X 1PC (WILL BE INCLUDED AT THE HARDWARE PACK OF THE MAIN SKIER)</b>
2	<b>HANDRAIL(A11) X1PC</b>
3	<b>HANDRAIL BRACKET (A12) X1PC</b>
4	<b>1/4-20 X 1-1/4" BUTTON HEAD SOCKET SCREW(STAINLESS) (B18) X 8PCS</b>
5	<b>1/4-20 X 1/2" BUTTON HEAD SOCKET SCREW(STAINLESS) (B19) X6PCS</b>
6	<b>1/4 T-NUT NO PRONGS(STAINLESS) (C06) X 4PCS</b>
7	<b>ANTI SKID WOODEN BASE(G31) X 1 PC</b>
8	<b>TOOL (4MM HEX HEAD SCREWDRIVER) X 1PC (WILL BE INCLUDED AT THE HARDWARE PACK OF THE MAIN SKIER)</b>

# ASSEMBLY INSTRUCTION

---

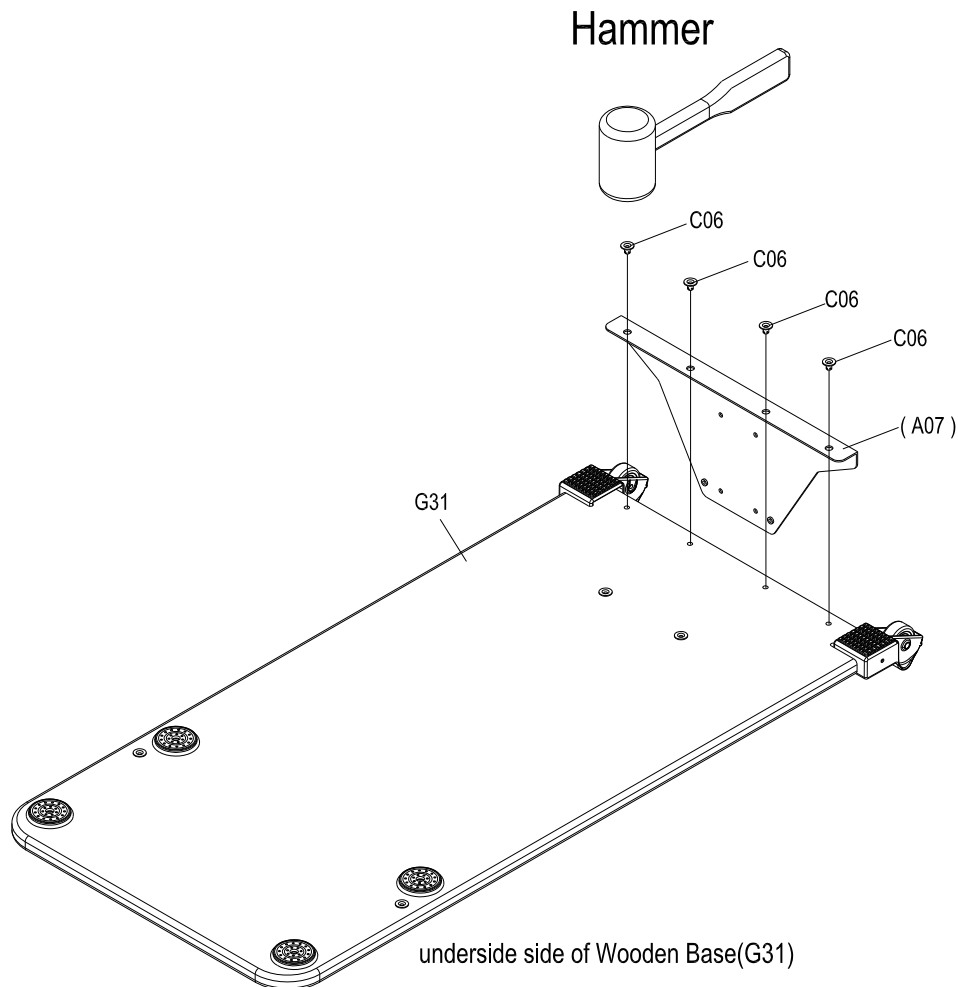
## Step 1

With the Wooden Base(G31) upside down, position the Mounting bracket(A07) to the Wooden Base(G31) as shown.

From the underside of the wooden base, Insert the T-nuts(C06) into the holes of Mounting bracket (A07). Use a hammer to fully seat the T-nuts (C06) into the holes on Wooden Base(G31) firmly as shown.

Finally lay the assembled wooden base with Mounting Bracket assy on its bottom in preparation for mounting the AIR SKIER

**FIGURE 1**



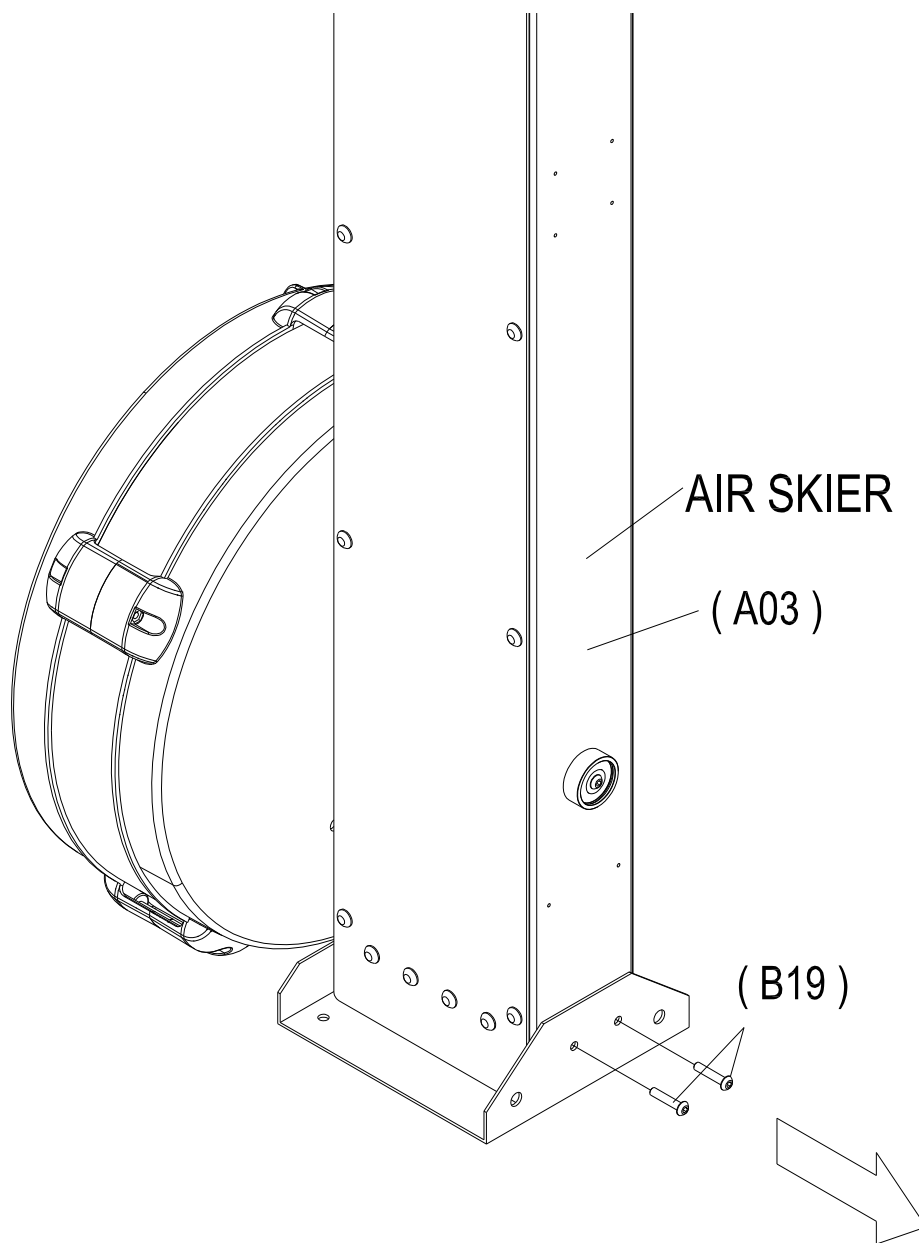
# ASSEMBLY INSTRUCTION

---

## Step 1

Remove the two pre-installed Screws(B19) from lower portion of the AIR SKIER as shown. You will reinstall these in the next step.

**FIGURE2**



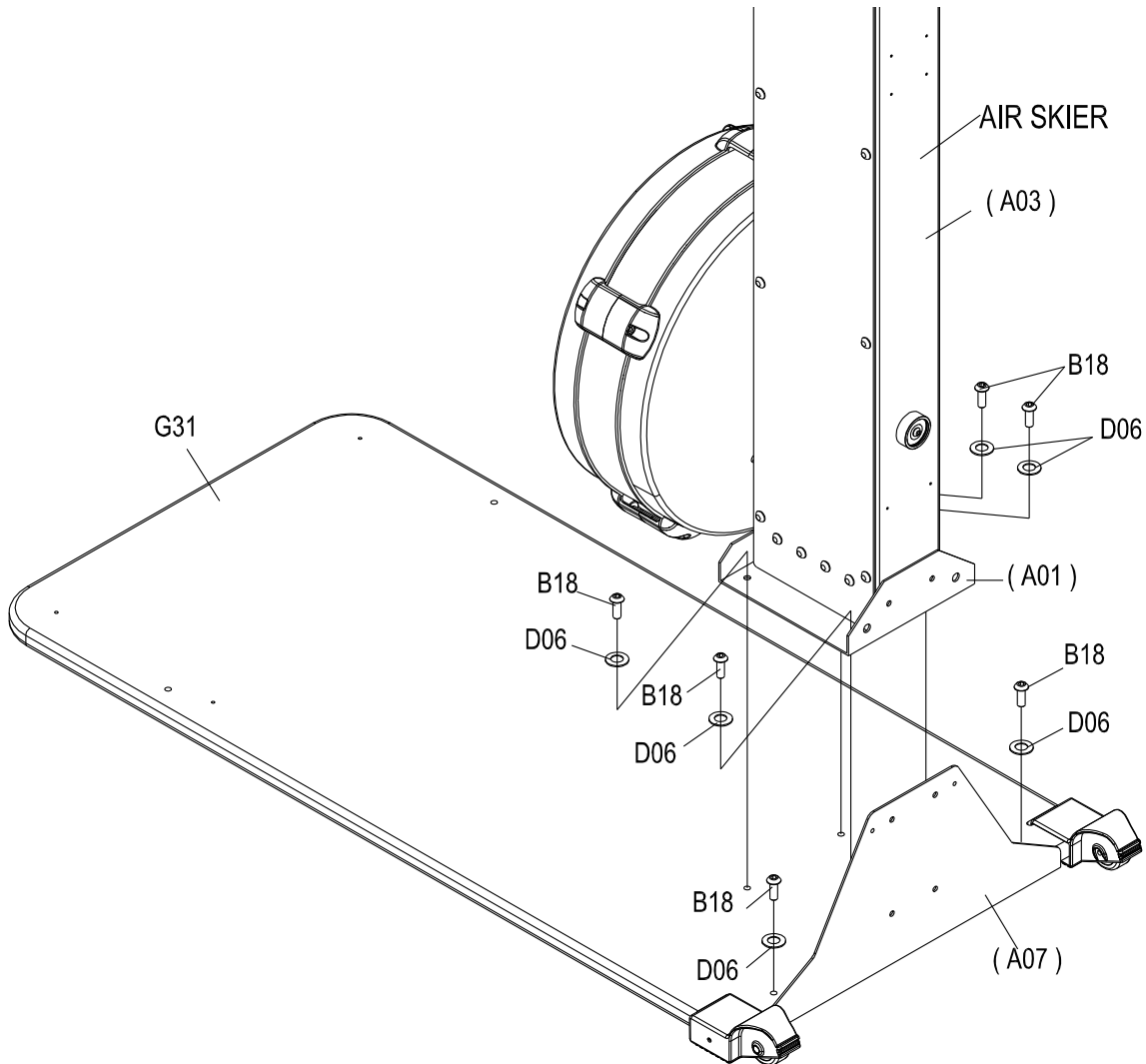
# ASSEMBLY INSTRUCTION

## Step 1

Carefully place the AIR SKIER on the wooden base (G31) so that it lines up with the four inner holes on the wooden base (G31). Fasten four Washers(D06) and Screws(B18) to insert through each of the four holes in the Air Skier Bottom Bracket (A01) and into the Wooden Base (G31). Next tighten all Washers (D06) and Screws (B18) with Wooden Base (G31) and Air Skier Bottom Bracket(A01) firmly as diagram .

## Step 2

Assemble the additional two Screws(B18) and Washers (D06) and insert through the top of the wooden base and into the Mounting Bracket (A07) in two of the outside holes as shown.



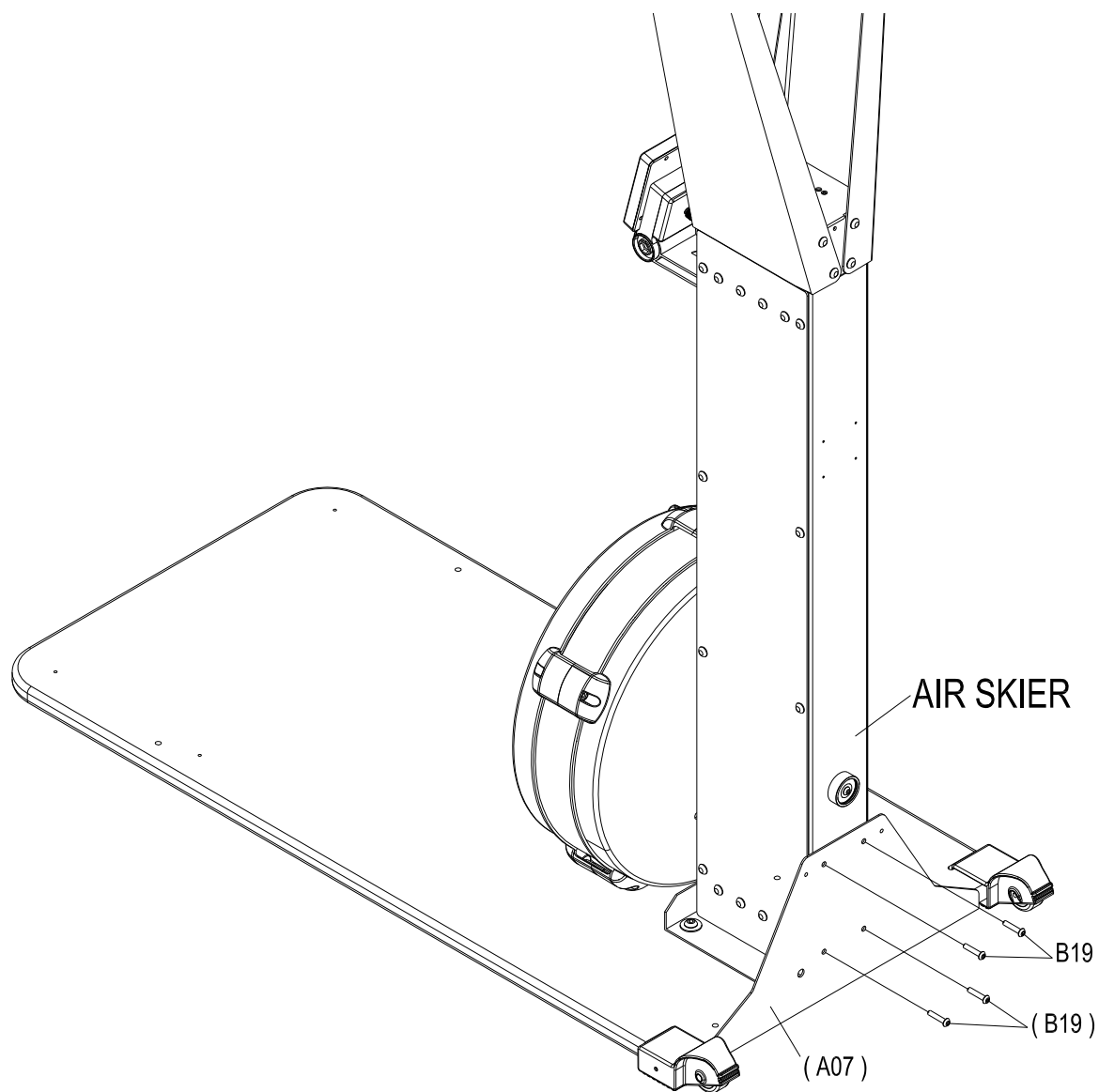
# ASSEMBLY INSTRUCTION

---

## Step 1

Fasten four screws(B19) and insert through each of the four holes in the AIR SKIER mounting bracket (A07), then tighten firmly as show.

**FIGURE 4**



# ASSEMBLY INSTRUCTION

---

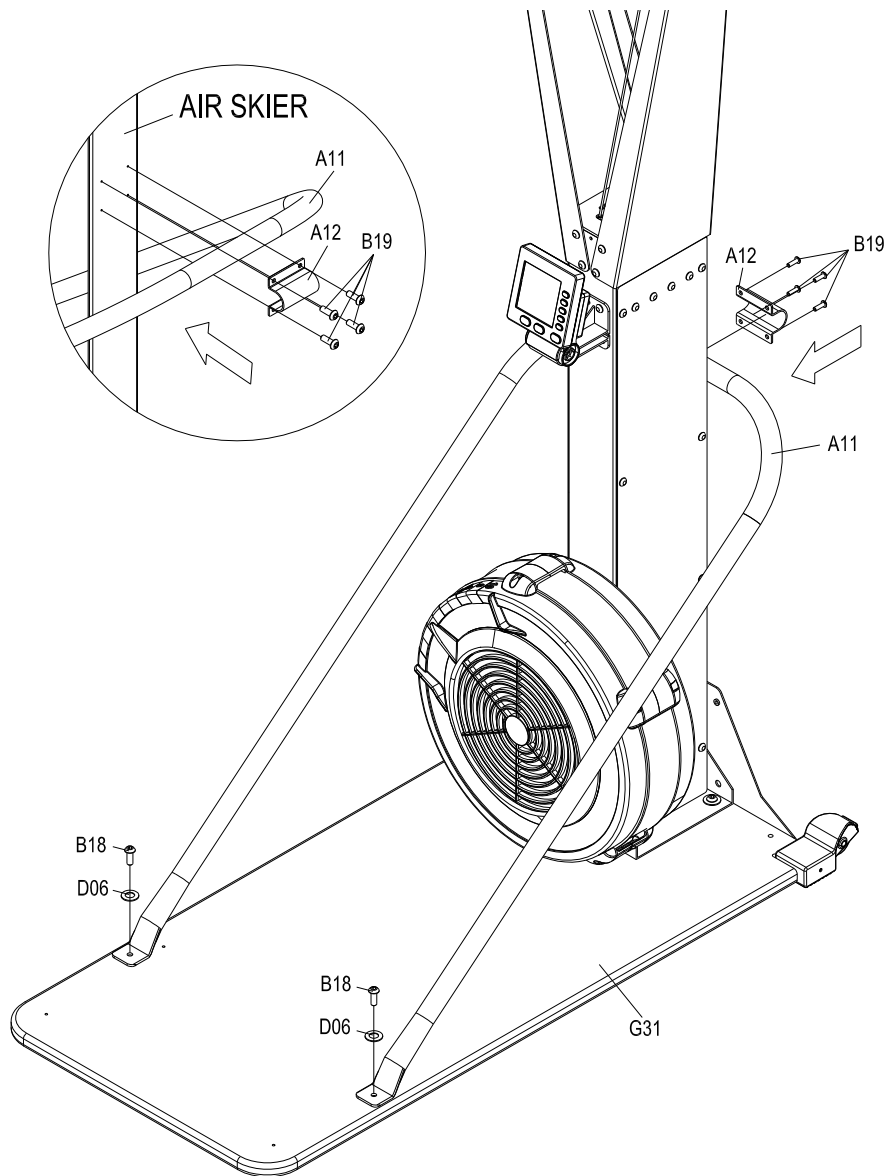
## STEP 1

Secure the Handrail (A11) to the Wooden Base(G31) on each side by using the screws(B18) and Washers(D06) as shown.

## STEP 2

Loosely attach the Handrail Bracket(A12) to the Handrail (A11) using four Screws (B19) as diagram. Once all four Screws (B19) are in place, tighten the Handrail Bracket (A12) fully to the Air Skier as shown.

**FIGURE 5**

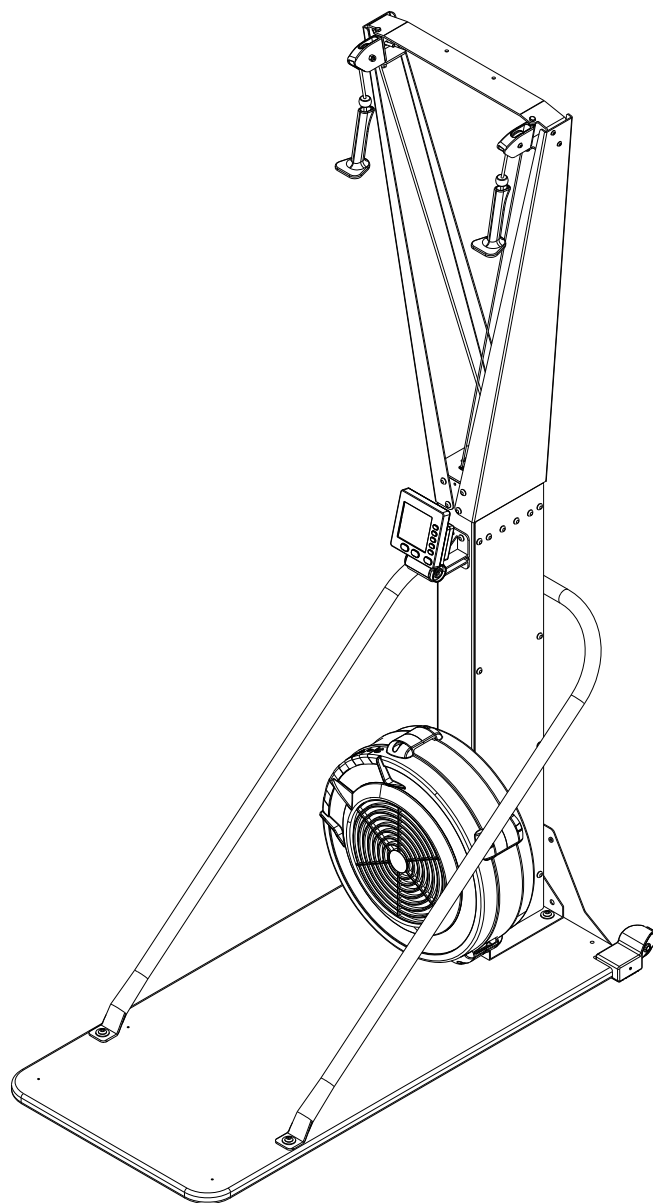




# ASSEMBLY INSTRUCTION

---

**FIGURE 6**

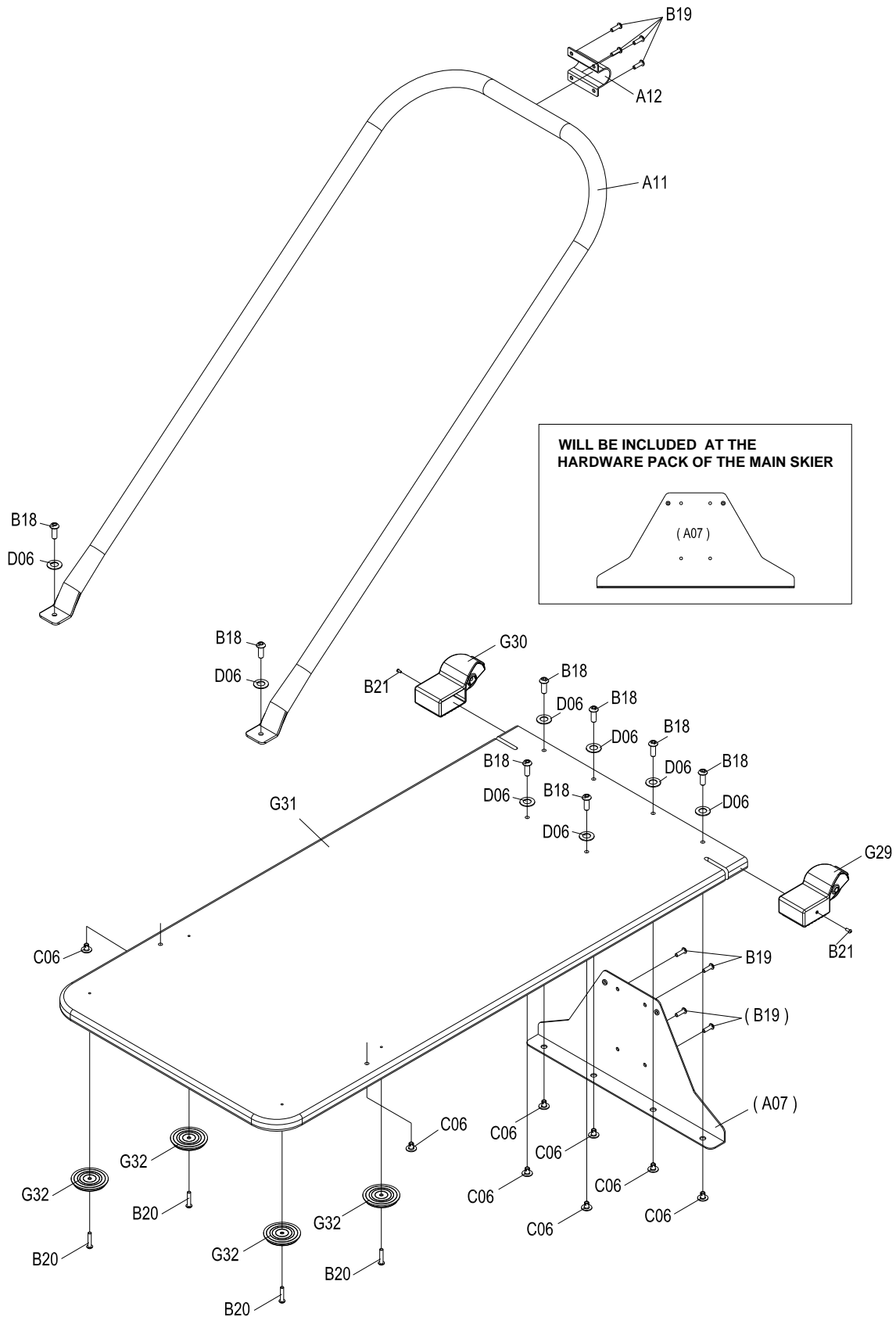


Congratulations!

**You have completed the assembly of your Air Skier with Floor Stand**

**Before using the machine , please do some warm-up exercise to prevent any muscle cramp .**

# Exploded View



## Part List (FLOOR STAND )

---

NO.	PART NAME	QTY
A11	HANDRAIL	1
A12	HANDRAIL BRACKET	1
B18	1/4-20*1-1/4" BUTTON HEAD SOCKET SCREW(STAINLESS)	8
B19	1/4-20*1/2" BUTTON HEAD SOCKET SCREW(STAINLESS)	6
B20	φ 5.5mm*1 PHILLIPS FLAT HEAD TAPPING SCREW(STAINLESS)	4
B21	4*16mm SCREW(BLACK)	2
C06	1/4 T-NUT NO PRONGS(STAINLESS)	8
D06	φ 19* φ 6.5*1.5t FLAT WASHER(BLACK)	8
G29	RIGHT CASTER	1
G30	LEFT CASTER	1
G31	ANTI SKID WOODEN BASE	1
G32	FOOT ROUND PAD	4