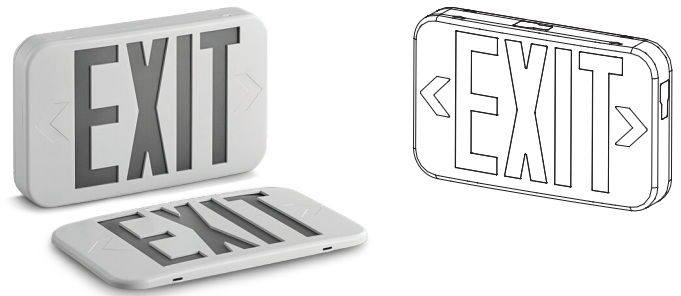


LED EXIT SIGN

– RED/GREEN SWITCHABLE –

IMPORTANT

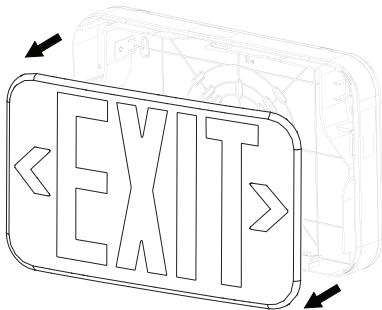
1. Do not use outdoors.
2. Do not repair or modify arbitrarily. Do not replace any part of the light including LED board and transformer/driver without consulting the manufacturer or authorized distributors.
3. Use only genuine parts supplied by the manufacturer.
4. Battery in this unit may not be fully charged when purchased. After electricity is connected to the unit, let the battery be charged for at least 24 hours. Normal operation of this unit should then take effect.
5. Do not use accessories not supplied by the manufacturer.
6. Before wiring to AC supply, turn off electricity at fuse or circuit breaker.
7. Equipment should be mounted in locations and at heights where it will not be subject to tampering by unauthorized personnel.
8. Consult local building codes for approved wiring and installation.
9. Installation and servicing should be performed by qualified personnel.



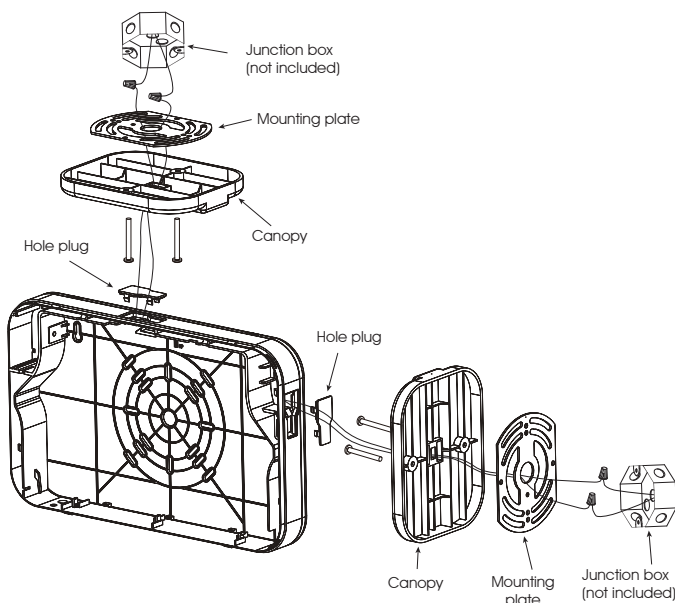
INSTALLATION

A. CEILING TOP AND SURFACE END MOUNTING

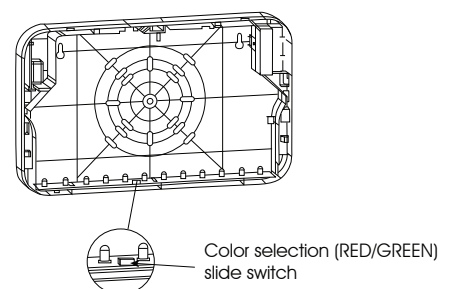
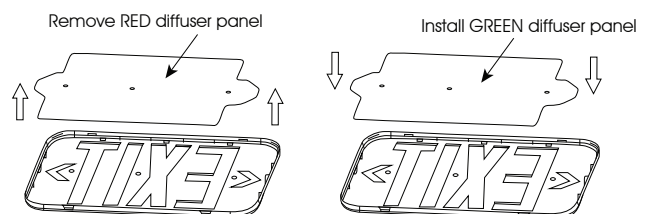
1. Remove the faceplate from the main body. For double sided configuration, remove both faceplate and backplate. Set the removed plate(s) aside.



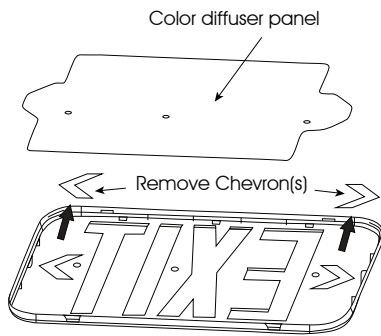
2. Place screws (included) in holes on the canopy.



3. Remove the desired mounting hole plug located on the frame of the main body. For ceiling top mounting, hole plug will be located on the top of the main body. For surface end mounting, hole plug will be located on the side of the main body.
4. Place canopy tab through the mounting hole of the main body until the flat portion of the canopy touches the main body frame. Lock the canopy into place by sliding the canopy, without turning, toward smaller end of the mounting hole until the tab is fully engaged and locked into place. Once the canopy is in the locked position, there will not be any side-to-side movement of the canopy.
5. Route AC input wires of the unit through canopy and through metal mounting plate.
6. Make wiring connection. Connect the RED lead to LIVE (HOT) of the AC wall power. Connect the WHITE lead to NEUTRAL (COMMON) of the AC wall power.
7. Push wire connections into the junction box (not included). Secure the mounting plate to the junction box.
8. Secure the canopy to the steel mounting plate with screws installed in step 2.
9. **NOTE: Factory default color configuration is RED** The faceplate assembled with the main body has red diffuser panel and the color selection slide switch is set to red. For GREEN configuration, replace the red diffuser panel with the green diffuser panel and flick the toggle switch to "GREEN".



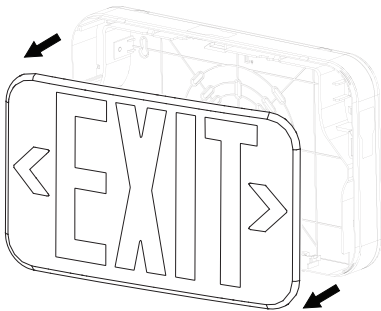
- Remove proper "chevron" directional indicator(s) as required. When removing chevron(s), remove the color diffuser panel to allow easier access to the chevron(s). When color diffuser panel is removed, be sure to reinstall the color diffuser panel, securing with diffuser retention caps once chevron(s) has been removed.



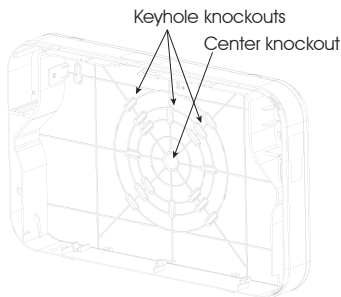
- Connect battery only after continuous AC power can be supplied to the unit.
- Secure faceplate(s) to the main body.
- Apply continuous AC power and press "TEST" button to check operation.

B. WALL BACK MOUNTING

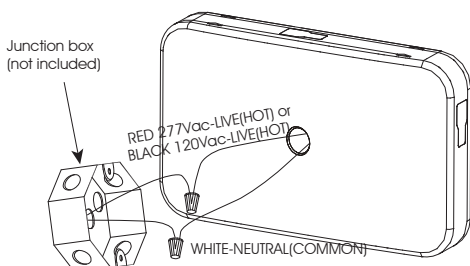
- Remove the faceplate from the main body. Set the removed plate aside.



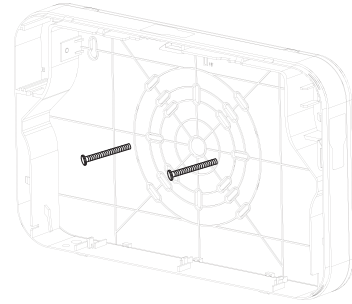
- Drill or knock out appropriate knockouts on backplate to fit junction box mounting points.



- Drill or knock out center hole in the backplate for AC supply wire leads of the unit.
- Route AC input wires of the unit through center hole of the backplate and make wiring connection. Connect the RED 277Vac or Black 120Vac lead to LIVE (HOT) of the AC wall power. Connect the WHITE lead to NEUTRAL (COMMON) of the AC wall power.



- Secure back plate to junction box (not included).



- Follow steps 10-13 of CEILING TOP AND SURFACE END MOUNTING.

OPERATION

- Supply AC power to the unit. The LED indicator should turn on.
- After battery has been left to charge for 24 hours, test the unit by pushing the test switch located at the bottom of the main body. The LED indicator turns off and LED board stays on.
- When the test switch is released, LED board continues to stay on and the LED indicator turns back on.

MONITORING

LED Indicator should stay on in normal operation conditions. Indicator goes out if AC supply or charger fails.

MAINTENANCE

Be sure to turn off AC power to the equipment before servicing. Servicing should be performed only by a qualified service technician. Use only genuine replacement parts supplied by the manufacturer.

The battery supplied requires no maintenance. However, it should be tested periodically (see RECOMMENDED TEST PROCEDURE below) and replaced when it no longer operates unit for the duration of a 30-second or 90 minutes test.

RECOMMENDED TEST PROCEDURE

Routine tests need to be performed as below.

Once every month, the unit needs to be tested for 30 seconds. Push in and hold the test switch for 30 seconds to perform this test. Once every 12 months, a full 90 minutes test needs to be performed on the unit. Disconnect AC supply to the unit and leave it in the emergency mode. The LEDs should stay on for at least 90 minutes.

WIRING DIAGRAM

