

JOB NAME: \_\_\_\_\_

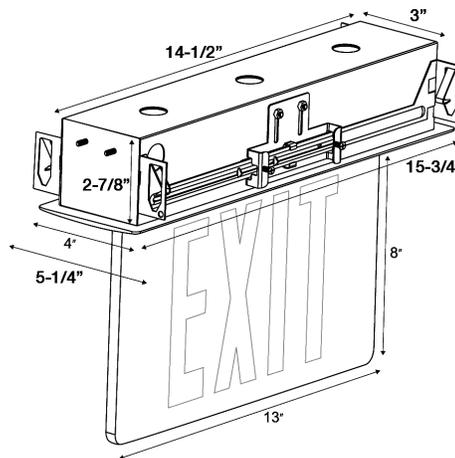
DATE: \_\_\_\_\_

TYPE: \_\_\_\_\_



- XTR-1RCA-EM      XTR-1RCW-EM
- XTR-1GCA-EM      XTR-1GCW-EM
- XTR-2RMA-EM      XTR-2RMW-EM
- XTR-2GMA-EM      XTR-2GMW-EM

## DIMENSIONS:



## RECESSED EDGELIT LED EXIT SIGN

### ELECTRICAL SPECIFICATIONS:

- Voltage: Dual 120-277V
- Wattage: 4.5W(Red) & 4.8W(Green)

### HOUSING SPECIFICATIONS:

- Recessed canopy with extruded aluminum housing
- Trim plate housing: Aluminum & White
- Single or double face (Mylar insert used for double face)
- Left or right arrow
- Low profile compact design
- Mounting accessories included
- Adjustable (24") bar hangers compatible for use in T-bar ceilings
- Operating temperature: 68°F ~ 122°F
- Suitable for damp location (32°F to 122°F)

### CERTIFICATIONS: UL



MODEL	WATTS	NUMBER OF FACEPLATE	BATTERY	LETTERS COLOR	TRIMPLATE
XTR-1RCA-EM	4.5W	Single	Ni-Cad	Red	Aluminum
XTR-1GCA-EM	4.8W	Single	Ni-Cad	Green	Aluminum
XTR-2RMA-EM	4.5W	double	Ni-Cad	Red	Aluminum
XTR-2GMA-EM	4.8W	double	Ni-Cad	Green	Aluminum
XTR-1RCW-EM	4.5W	Single	Ni-Cad	Red	White
XTR-1GCW-EM	4.8W	Single	Ni-Cad	Green	White
XTR-2RMW-EM	4.5W	double	Ni-Cad	Red	White
XTR-2GMW-EM	4.8W	double	Ni-Cad	Green	White

### TECHNICAL SPECIFICATIONS:

- Solid state electronics and charger board
- Push-to-test switch
- Specification grade exit with emergency battery backup (90 minutes)
- Premium high-output ultra bright LEDs
- 4.8 V, Rechargeable Ni-Cad battery
- 90-minute EM-rated with push style test switch and red indicator light
- Energy efficient LED panel

### WARRANTY: 3 years

- Meets UL924, NFPA life safety code, Local and State codes, NEC, OSHA

