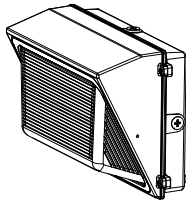


INSTRUCTION



WMXE WALL PACK

RISK OF FIRE -
Led are hot. Keep combustible material away from hot parts.

RISK OF FIRE
Observe lamp manufacturer's warnings, recommendations and restrictions on lamp operation and maintenance

Warning:
To avoid the risk of fire, explosion, or electric shock, this product should be installed, inspected, and maintained by a qualified electrician only, in accordance with all applicable electrical codes.

Warning:
To avoid electric shock:
•Be certain electrical power is OFF before and during installation and maintenance.
•Luminaire must be connected to a wiring system with an equipment-grounding conductor.

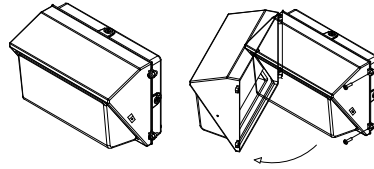
Warning:
To avoid explosion:
•Make sure the supply voltage is the same as the rated luminaire voltage.
•Do not install where marked operating temperatures exceed the ignition temperature of the hazardous atmosphere.
•Do not operate in ambient temperatures above those indicated on the luminaire nameplate.

WARNING: FAILURE TO FOLLOW THESE INSTRUCTIONS AND WARNINGS MAY RESULT IN DEATH, INJURY, OR SIGNIFICANT PROPERTY DAMAGE - For your protection, read and follow these warnings and instructions carefully before installing or maintaining this fixture. These instructions do not attempt to cover all installation and maintenance situations. If you do not understand these instructions or additional information is required, contact Thailight Lighting or your local Thailight Lighting distributor.

WARNING: RISK OF ELECTRIC SHOCK - To avoid electric shock, serious injury, or death, be certain that all electrical power is disconnected from the supply branch circuit conductors before installing or maintaining this fixture. This product must be installed and maintained in accordance with the applicable installation codes by a person familiar with the construction and operation of the product and the hazards involved.

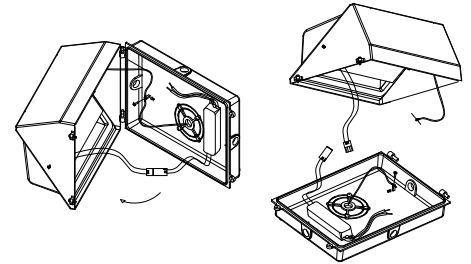
INSTALLATION

MOUNTING - Wall pack is designed to allow for a variety of mounting configurations. It can be mounted directly to a recessed junction box or mounted directly to the wall. Do not install up. NOT INTENDED FOR MOUNTING INVERTED OR ON CEILING.



Open the front cover

FIG. 1



Separate front cover and the back of the rear housing, disconnect the wires between driver and PCB board.

FIG. 2

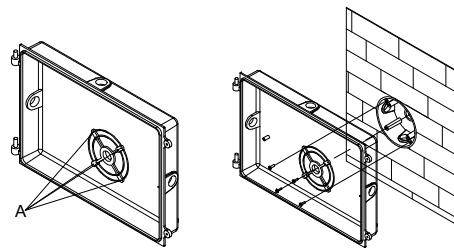


FIG. 3
JUNCTION BOX MOUNTING

Look at the back of the rear housing to locate the pre-cast locators which allow for lag-bolt surface mounting. Using a hammer and punch, prepare the housing by knocking out only the appropriate mounting holes. (FIG. 3) or (FIG. 4). Attach conduit to fixture and secure fixture to wall.

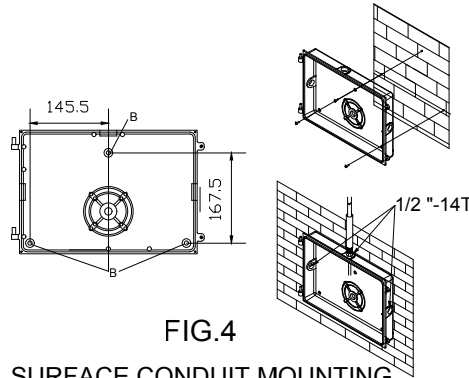


FIG. 4
SURFACE CONDUIT MOUNTING

Remove the appropriate threaded plug (top of sides) from housing to allow conduit entry
Attach conduit to fixture and secure fixture to wall
NOTE: All unused conduit entries must be plugged.

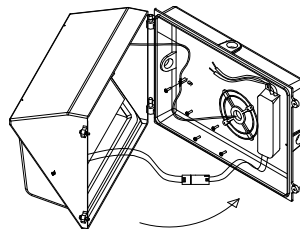


FIG. 5

Please refer to (Figure 6.1; Figure 6.2; Figure 6.3; Figure 6.4 ;) for wire connection

Note: The ground wire in the front cover must be connected to the ground wire in the rear frame.

NOTE: For supply connections use wire rated for at least 90°C

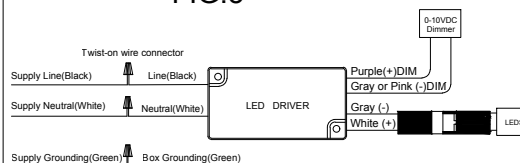


FIG. 6.1
Wiring layout

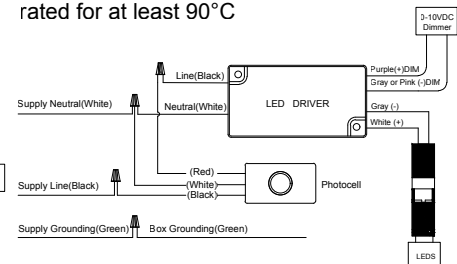


FIG. 6.2
Wiring layout with Photocell

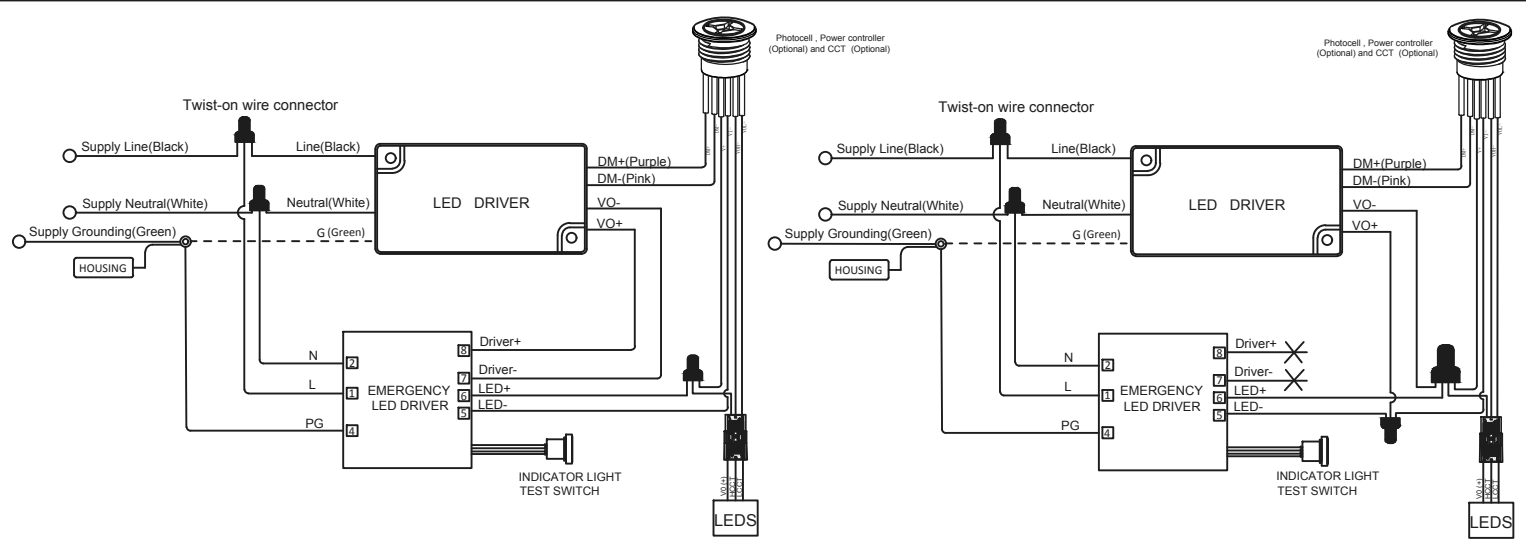
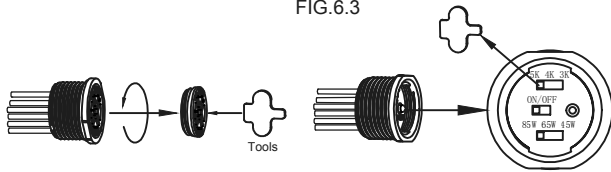


FIG. 6.3

FIG. 6.4



"5k 4K 3K" is CCT, "ON / OFF" is Photocell switch, "85W 65W 45W" is Power controller. You can use tools to adjust dials



Make sure to tighten the clear cap

**DO NOT SWITCH UNDER LOAD.
KEEP PROTECTIVE BARRIER IN PLACE
DISCONNECT POWER BEFORE SERVICING**

Three-in-one controller

FIG. 6.5

TESTING & MAINTENANCE

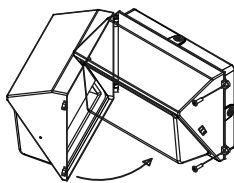
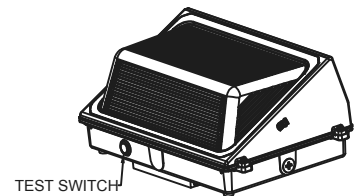
Pressing the Test switch simulates an AC power failure and forces the LED Emergency Equipment into Emergency Mode. The AC driver is now being supplied by the LED Emergency Equipment. After releasing the test switch, the fixture returns to normal operation after a momentary delay.

Initial testing . Allow the unit to charge approximately 1hour, then conduct a short discharge test. Allow a 24 hour charge before conducting a 1'2 hour test.

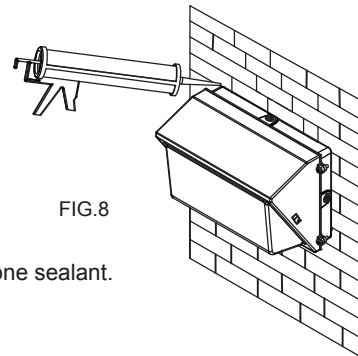
The LED Emergency Equipment is a maintenance free unit, however, periodic inspection and testing is required NFPA101. lift safety code, outlines the following schedule:

Monthly - Insure that the charge indicator is illuminated. conduct a 30 second discharge test by depressing the test switch
Annually . Insure that the charge indicator is illuminated, conduct a full 112 hour discharge test. The unit should operate as intended for the duration of the test.

"Written records of testing shall be kept by the owner for inspection by the authority having jurisdiction."



Make sure all wiring access holes are sealed with weatherproof silicone sealant.



CAUTION:

THIS PRODUCT MUST BE INSTALLED IN ACCORDANCE WITH THE APPLICABLE INSTALLATION CODE BY A PERSON FAMILIAR WITH THE CONSTRUCTION AND OPERATION OF THE PRODUCT AND THE HAZARDS INVOLVED

MIN 90°C SUPPLY CONDUCTORS

CAUTION:

This product use an input 100-277VAC & 277-480VAC driver of wide range voltage, but the actual working voltage is depend on the input voltage of the photocell that installed on the product. Normally the input voltage of photocell is 120V/208V/240V/277V/347V/480V. single range, and also have 100-277VAC & 277-480VAC wide range, please note the distinction.

Model number parameter list:

Model	Input Voltage	Watt	Input Current
WMXE-MD-25-65W-MCTP-P-EM	120-277VAC	25W/45W/65W	0.72 A
WMXE-MD-45-85W-MCTP-P-EM		45W/65W/85W	1.1 A
WMXE-MD-80-120W-MCTP-P-EM		80W/100W/120W	1.25 A
WMXE-LG-100-150W-MCTP-P-EM		100W/120W/150W	1.62 A

After installation, please

➤ check whether the lighting fixture is firmly fixed.

➤ check whether wires are connected correctly.

At last, turn on the power, and check if the lighting fixture works well. If not, please turn off the power and contact with local dealer.

Warning: the luminaire shall be installed by qualified electrician.