

WMV SERIES Outdoor Lighting

WMV-20W-30K
WMV-20W-40K
WMV-20W-50K



Selection:



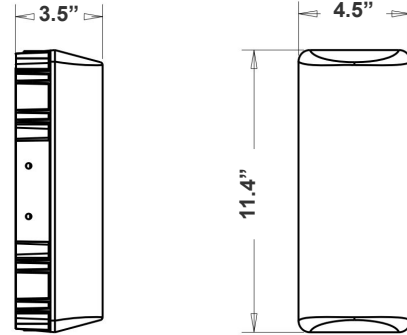
WESTGATE
THE FUTURE IS HERE...AND IT'S QUITE BRIGHT!

Customer Name: _____

Project Name: _____

Note: _____

Type: _____



11.4"(L) x 4.5"(W) x 3.5"(H)

LED Versatile Wall Pack is ideal for general site lighting, loading docks, doorway, pathway and parking areas.

Features

- High Light Transmittance, Anti-UV and Fire Resistant Shatterproof PC Lens
- High Lumen
- ADC12 Aluminum Heat Sink, Outdoor Powder Coated
- Vandal Resistant Housing Ideal for Exposed Areas
- 7-Year Warranty

Technical Specifications

Electrical:

- Voltage: 120-277VAC 60Hz
- Wattage: 80W
- Power Factor: >0.90
- Efficacy: 110 LPW

Mechanical:

- ADC12 Aluminum Heat Sink, Outdoor Powder Coated
- Vandal Resistant Housing Ideal For Exposed Areas
- Two 1/2" Knockouts: 1 Top. 1 Bottom
- High Light Transmittance, Anti-UV and Fire Resistant Shatterproof PC Lens
- Operating Temperature: -40°F ~ 104°F
- Lifespan: 70000 Hours
- 7-year Warranty
- IP rating: IP54, Wet Locations

Lighting:

- High Light Transmittance, Anti-UV and Fire Resistant Shatterproof PC Lens
- Chip: Lumileds Lixeon 3030 High Flux LED
- Lumens Range: 1800LM/ 1900LM/ 2000LM
- Color Temperatures: 3000K/ 4000K/ 5000K
- Color Rendering Index: CRI ≥ 70
- Beam Angle: 110°X130°

Applications:

- Ideal for general site lighting, alleys, loading docks, doorway, pathway and parking areas.



Phone: (877) 805-2252 | Fax: (877) 805-2252
www.westgatemfg.com | www.westgatecontrols.co



WG-Z9-Z9-ZZ

