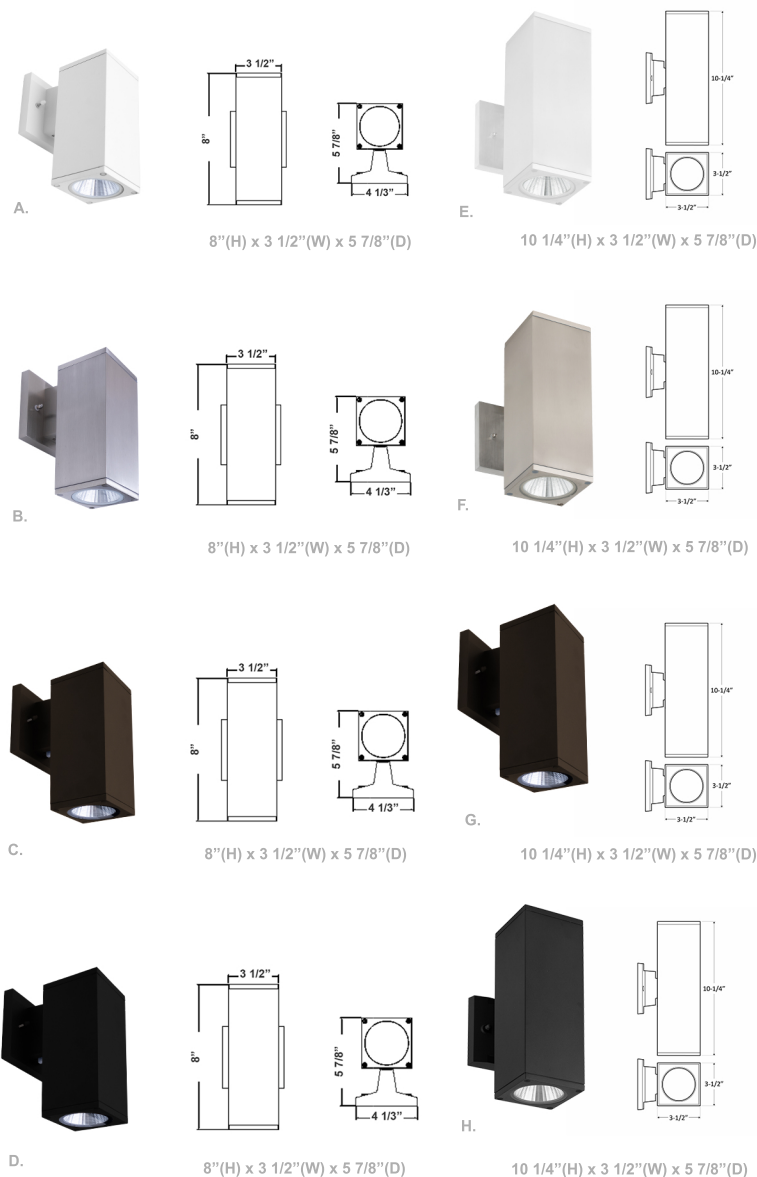


4" LED Outdoor Square Cylinder Lights



Wattage

12W (Down light)
24W (Up/Down light, 12W Per End)

Voltage Input

120V AC

Dimmable

TRIAC Dimming (Using Standard TRIAC LED Dimmers)

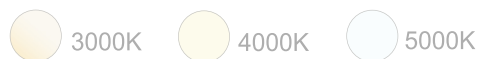
Finish

Die-Cast Aluminum & Glass

Beam Angles



Color Temperatures



Features



Catalog No.	Fig.	Catalog No.	Fig.
WMCS-DL-MCT-WH-DT	A	WMCS-UDL-MCT-WH-DT	E
WMCS-DL-MCT-BN-DT	B	WMCS-UDL-MCT-BN-DT	F
WMCS-DL-MCT-BR-DT	C	WMCS-UDL-MCT-BR-DT	G
WMCS-DL-MCT-BK-DT	D	WMCS-UDL-MCT-BK-DT	H

Factory-Installed Options

Watts	EM Options	Description	Photocell	Description	Paint	Sensor	Description
4" & UP	OPT-EM-FM2INT	INTERNAL	OPT-PC-B	BUTTON	N/A	OPT-SEN-WMC	PROGRAMMABLE MICROWAVE (BI-LEVEL)
4" & UP	OPT-EM-FM2INT	INTERNAL	OPT-PC-B	BUTTON	N/A	WEC-8RC	OPTIONAL REMOTE CONTROL