

UHX SERIES INDUSTRIAL LIGHTING

UHX-300W-MP-40K
UHX-300W-MP-50K

Customer Name: _____

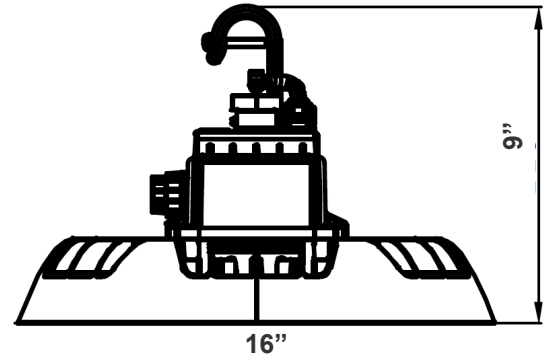
Project Name: _____

Note: _____

Type: _____



Selection



9" (H) X 16" (D)

In a aluminium shell designed for heat dissipation, UHX is IP65 water resistant rated and ideal for general site lighting, alleys, loading docks, doorways, pathways, parking areas, warehouses and storage buildings.

Features

- Waterproof design, suitable for wet locations
- ADC12 Aluminum Heat Sink, Outdoor Powder Coating Finish
- Optical Lens: PC Materials High Light Transmittance, Anti-UV, Fire-Resistant
- Multi Power (Selectable Switch Located On The Driver Housing)

Technical Specifications

Electrical:

- Input Wattage: 150W/200W/240W/300W
- Input Voltage: 120-277V AC 50/60Hz
- Power Factor: >0.9
- THD: <20%
- Efficacy: 155/ 150/ 145/ 140 LPW

Mechanical:

- ADC12 Aluminum Heat Sink, Outdoor Powder Coating Finish
- Optical Lens: PC Materials High Light Transmittance, Anti-UV, Fire-Resistant
- 3' SJTW 18,3 AWG Power Cable
- 6' SJTW Dimming Cable
- LED: LUMILEDS 2835
- LED PCB Board: High Conductive, Waterproof, Aging Resistance, salt mist Resistance, Ensure the Safety and Long Lifespan
- Operating temperature: -40°F to 122°F
- IP rating: IP65, Wet Locations
- 5-Year Warranty

Lighting:

- Dimming: 0~10V
- Multi Power (Selectable Switch Located On The Driver Housing)
- Total Lumens: 23250/30000/33350/42000LM
- Color Temperatures: 4000K/ 5000K
- Color Rendering index: > 80
- Beam Angle: 110°
- Lifespan: 50,000 Hrs

Applications:

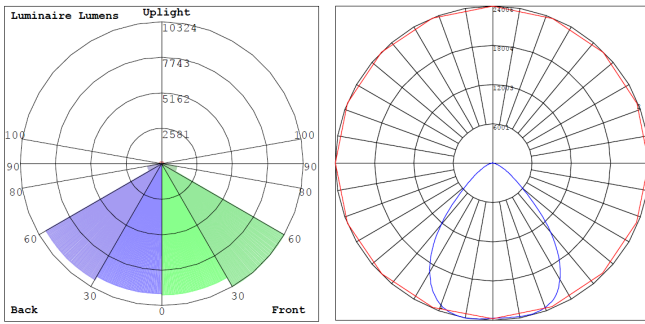
- Ideal for general site lighting, alleys, loading docks, doorway, pathway, parking areas, warehouses and storage buildings.

Other Models:

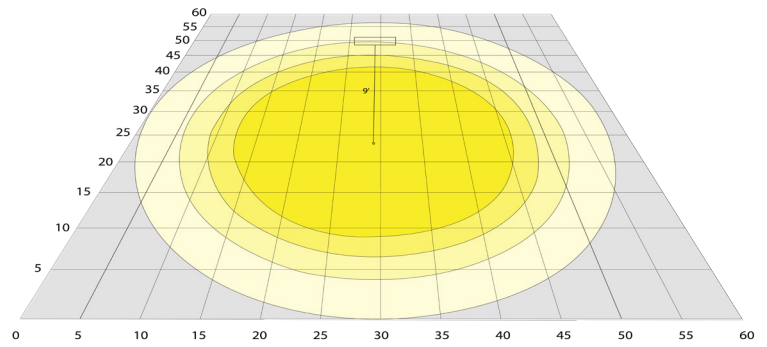
- 150W | 21000 LM | UHX-150W-MP-40K
- 150W | 21000 LM | UHX-150W-MP-50K
- 230W | 32200 LM | UHX-230W-MP-40K
- 230W | 32200 LM | UHX-230W-MP-50K



Photometrics: UHX-300W-MP



BUG Rating: B5-U3-G1



Area 60'x 60' Mounting Height: 9'

Other Views:



Side View



Top View



Bottom View

Performance Table: UHX-300W-MP

MODEL NO.	Wattage	Voltage	Lumens	Color Temp	BUG Rating	LPW
UHX-300W-MP-40K	150W	120-277V	23250LM	4000K	B5-U3-G1	155
UHX-300W-MP-50K	200W		30000LM			150
	240W		33350LM			145
	300W		42000LM			140

Sample Ordering

Model **Wattage** **Power** **Color Temp.**

UHX - 300W - MP -

40K = 4000K
50K = 5000K

Accessory

Blank = No Accessory
 HB-RING = HIGHBAY TOP RING ADAPTER, 1/2in
 HB-EB-50/75 = HIGHBAY EXPANSION BUSHING FROM 1/2in TO 3/4"
 UHX-SMB = UHX SERIES SURFACE MOUNTING YOKE BRACKET
 UHX-WG-B = UHX SERIES WIRE GUARD, FITS ON FIXTURES
 UHX-SC = UHX SERIES 22" SAFETY CABLE
 UHX-ALR-B = UHX SERIES ALUM. REFLECTOR
 UHX-ALRW-B = 90° ALUM. REFLECTOR FOR 230W (MCTP ONLY) & 300W MP
 UHX-PCR-B = UHX SERIES PRISMATIC PC REFLECTOR
 UHX-PCDC = UHX SERIES PC DROP LENS COVER FOR REFLECTORS
 UHX-PCC = UHX SERIES PC BOTTOM COVER FOR REFLECTORS
 UHX-FL-C = UHX SERIES REPLACEMENT FROSTED GLASS LENS
 UHX-SA-5057 = 1/2 IN STEM-MOUNTING ADAPTER WITH CABLE PASSAGE AND 1/2 IN THREADED TOP. 3/4" THREADED ADAPTER

Factory-Installed Option:

Blank = No Accessory
 OPT-EM-UHX = EXTERNAL EMERGENCY BACKUP BATTERY INSTALLED ON TOP OF THE FIXTURE
 OPT-HBC=125TL-BK = NEMA TWIST-LOCK PLUG 8FT, 15A, 125V, 16/3TL, BLK
 OPT-HBC=277TL-BK = NEMA TWIST-LOCK PLUG 8FT, 15A, 277V, 16/3TL, BLK
 OPT-HBC=125SB-BK = STRAIGHT BLADE PLUG 10FT, 15A, 125V, 18/3TL, BLK
 OPT-SEN-UHX = MICROWAVE BI-LEVEL SENSOR

Example:

1. UHX-300W-MP-50K

(FOR UHX 300W MP FIXTURE 120-277V)

2. UHX-300W-MP-50K
 HB-RING

(FOR UHX 300W MP FIXTURE 120-277V)
 (HIGHBAY TOP RING ADAPTER, 1/2in)



ACCESSORIES:



UHX-PCR-B
UHX SERIES
PRISMATIC PC
ALUM. REFLECTOR
FOR UP TO 230W



UHX-ALR-B
UHX SERIES 60° ALUM
REFLECTOR FOR UP
TO 300W



UHX-PCC
UHX SERIES PC
BOTTOM COVER FOR
REFLECTORS, FITS
ALL SIZES



UHX-PCDC
UHX SERIES PC DROP
LENS COVER FOR
REFLECTORS, FITS
ALL SIZES



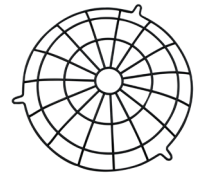
UHX-ALRW-B
90° ALUM.
REFLECTOR FOR
230W (MCTP ONLY)
& 300W MP



HB-RING
HIGHBAY TOP RING
ADAPTER, 1/2in



HB-EB-50/75
HIGHBAY
EXPANSION
BUSHING FROM 1/2in
TO 3/4"



UHX-WG-B
UHX SERIES WIRE
GUARD, FITS ON
FIXTURES UP TO 300W



UHX-FL-C
UHX SERIES
REPLACEMENT FROSTED
GLASS LENS FOR UP TO
300W



UHX-SC
UHX SERIES 22"
SAFETY CABLE



UHX-SMB
UHX SERIES SURFACE
MOUNTING YOKE
BRACKET



UHX-SA-5075
1/2 IN STEM-MOUNTING
ADAPTER WITH CABLE
PASSAGE AND 1/2 IN THREADED
TOP. 3/4 IN THREADED ADAPTER
INCLUDED

FACTORY-INSTALLED OPTION:



OPT-HBC-125SB-BK
STRAIGHT BLADE PLUG 10FT, 15A,
125V, 18/3TL, BLK



OPT-HBC-125TL-BK
NEMA TWIST-LOCK PLUG 8FT, 15A,
125V, 16/3TL, BLK



OPT-HBC-277TL-BK
NEMA TWIST-LOCK PLUG 8FT, 15A,
277V, 16/3TL, BLK



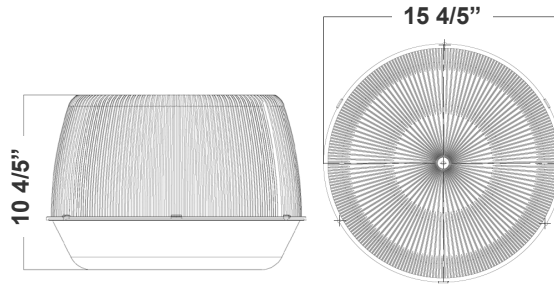
OPT-EM-UHX
EXTERNAL EMERGENCY
BACKUP BATTERY INSTALLED
ON TOP OF THE FIXTURE
(The bracket can be painted)



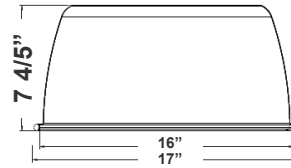
Dimensions:



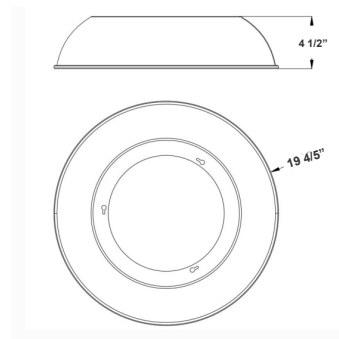
UHX-PCC
UHX SERIES PC BOTTOM COVER
FOR 60° REFLECTORS



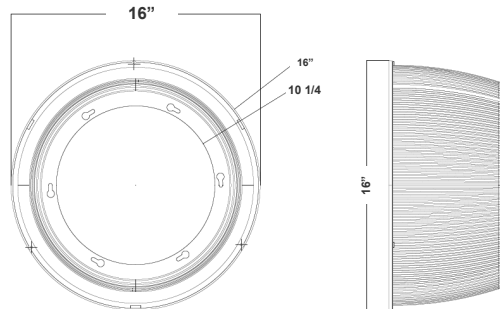
UHX-ALR-B
UHX SERIES 60° ALUM.
REFLECTOR



UHX-ALRW-B
90° ALUM. REFLECTOR FOR 230W
(MCTP ONLY) & 300W MP



UHX-PCR-B
UHX SERIES PRISMATIC PC
REFLECTOR



UHX-PCDC
UHX SERIES PC DROP LENS
COVER FOR REFLECTORS

