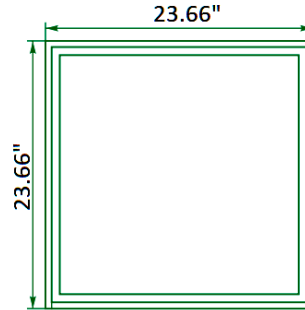




### DIMENSIONS:

23.66" (L) X 23.66" (W) X 0.43" (H)



## TGL-2X2-30K

## TGL-2X2-40K

### LED PANELS

Ideal for hotels, offices, retail outlets, restaurants, parking garages, storage rooms, conference rooms, education facilities, and more.

#### ELECTRICAL SPECIFICATIONS:

- Voltage: 120-277VAC 50/60Hz
- Wattage: 40W
- Power factor: >0.90
- Efficacy: 100LM/W

#### HOUSING SPECIFICATIONS:

- Aluminum shell
- Operating temperature: -13°F ~ 140°F
- Lifespan: 50,000 hrs.
- Suitable for Damp Locations

#### CERTIFICATIONS: UL



MODEL	WATTS	VOLTAGE	LUMENS UP/DOWN	COLOR TEMP
TGL-2X2-30K	40W	120~277VAC	4000LM	3000K
TGL-2X2-40K	40W	120~277VAC	4000LM	4000K

#### LIGHTING SPECIFICATIONS:

- Total lumens: 4000LM
- Color temperature: 4000K/3000K
- Color rendering index: >80
- Beam angle: 120°

#### WARRANTY: 5 years

