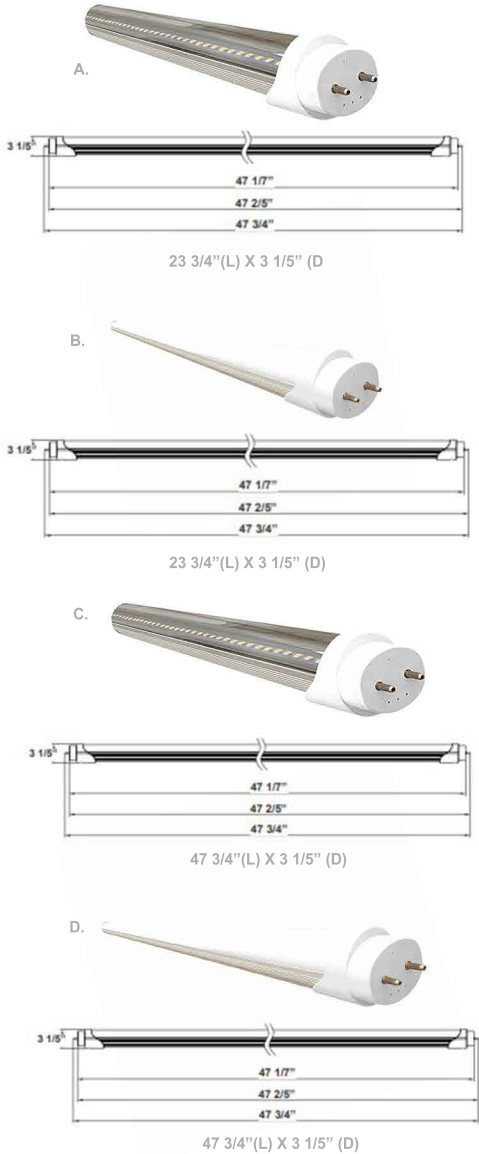


# LED T8 Shatter-Proof Lamps



## Wattage

10W / 12W / 18W

## Voltage Input

120-277V  
50/60Hz AC

## Efficacy

130 LPW

## Beam Angle



## Finish

G13 Base Type  
Shatter-Proof Film  
Clear / Frosted Lens

## Color Temperatures



## Features



Catalog No.	Fig.	Catalog No.	Fig.
T8-EZX-PRO-2FT-10W-40K-C	A.	T8-EZX-PRO-4FT-12W-50K-F	D.
T8-EZX-PRO-2FT-10W-40K-F	B.	T8-EZX-PRO-4FT-18W-40K-C	C.
T8-EZX-PRO-2FT-10W-50K-C	A.	T8-EZX-PRO-4FT-18W-40K-F	D.
T8-EZX-PRO-2FT-10W-50K-F	B.	T8-EZX-PRO-4FT-18W-50K-C	C.
T8-EZX-PRO-4FT-12W-40K-F	D.	T8-EZX-PRO-4FT-18W-50K-F	D.