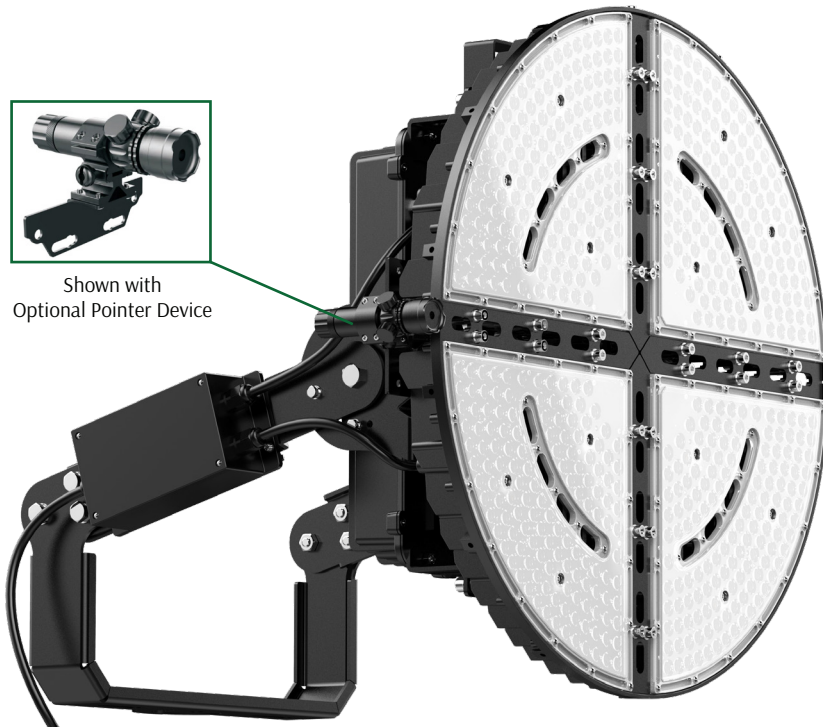


# SFX



Shown with  
Optional Pointer Device



**TECHNICAL SPECIFICATIONS:**

- :: Housing: Die-cast aluminum housing with powder coat finish (Black)
- :: Voltage: 120-277V AC
- :: Cord type: 3' SJTW 18/3 AWG cable
- :: Power Factor: .9~.97
- :: Operating Temp: -40°F to 176°F
- :: Up to 160 lumens per watt
- :: CRI: >84
- :: Lumileds Luxeon 5050
- :: Beam Angle: 30°
- :: 15KV Surge Protector Included
- :: 70,000 hour rated life
- :: 7-year warranty
- :: Suitable for Wet Locations, IP65

**APPLICATIONS:**

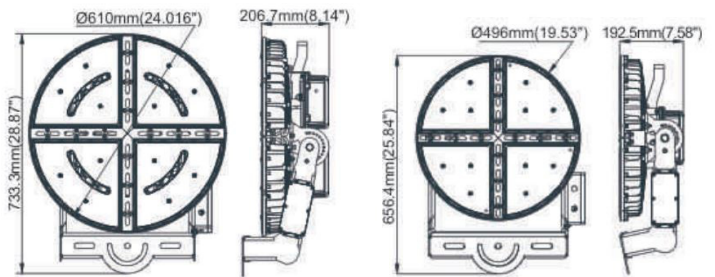
- :: Stadium lighting, Sports fields, parking lots, docks, railway and container yards, Architectural lighting, Industrial and commercial exterior lighting, tradeshows, exhibitions.



Shown with Optional Shroud &  
Slip Fitter



Shown with Optional Shroud &  
Rotatable Base



SFX-G5-1000W

SFX-G5-600W

## LED STADIUM FLOOD LIGHTS

| CATALOG NO.          | WATTS | LUMENS   | COLOR TEMP              | DIMENSIONS                    |
|----------------------|-------|----------|-------------------------|-------------------------------|
| SFX-G5-600W-30D-50K  | 600W  | 90000LM  | 5000K                   | 21.7"(H) x 14.2"(W) x 4.7"(D) |
| SFX-G5-1000W-30D-50K | 1000W | 150000LM | 5000K                   |                               |
| SFX-G5-SH1           |       |          | Shroud for 600W         |                               |
| SFX-G5-SH2           |       |          | Shroud for 1000W        |                               |
| SFX-G5-SF            |       |          | Slip Fitter             |                               |
| SFX-G5-RB            |       |          | Rotatable Base          |                               |
| SFX-POINTER          |       |          | LED Laser Aiming Device |                               |