

# SCLP SERIES

COMMERCIAL INDOOR LIGHTING

**WESTGATE**  
THE FUTURE IS HERE...AND IT'S QUITE BRIGHT!

## SCLP-UD-4FT-60W-MCT-D

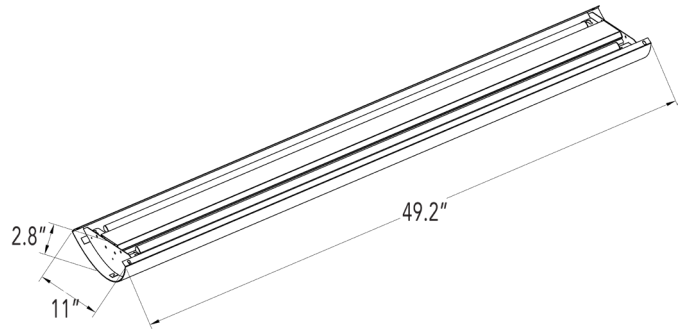
LED PARABOLIC SUSPENDED PERF. BASKET  
& LOUVER UP/DOWN LIGHT

Customer Name: \_\_\_\_\_

Project Name: \_\_\_\_\_

Note: \_\_\_\_\_

Type: \_\_\_\_\_



Ideal for Storage rooms, Offices Conference rooms, Retail Reception areas, Hallways Education facilities

49.2" H x 2.8" D x 11" W

## Features

- Lens: Louver in center & Perforated Baskets on the sides
- Housing: Anodized Aluminum
- 5-Year Warranty
- Rated Life: 50,000 Hrs
- Multi CCT (Selectable switch is inside the fixture)

## Technical Specifications

### Electrical:

- Voltage: 120-277V AC 60Hz
- Wattage: 40W /20W
- Power Factor: >0.95
- Efficacy: 115 LPW
- THD: <20%

### Mechanical:

- Housing: Anodized Aluminum
- Finish: Powder Coated White
- Ambient Temperature: -22°F to +104°F
- 5-year Warranty

### Lighting:

- Multi CCT (Selectable switch is inside the fixture)
- Lens: Louver in center & Perforated Baskets on the sides
- High Quality LED Chips provide High Efficiency, Heat Dissipation, Stability, and Lumen Maintenance
- Dimmable: 0~10V Dimmable
- Lumens Range: 4400LM/ 2100LM
- Uplight: 40W, Downlight: 20W Or 60W
- Rotatable LED Light Module, can be rotated down (60W down light)
- Color Temperatures: 3500K/ 4000K/ 5000K
- Color Rendering Index: CRI ≥ 80
- Rated Life: 50,000 Hrs

### Applications:

- Storage rooms
- Offices
- Conference rooms
- Retail
- Reception Areas
- Hallways
- Education Facilities

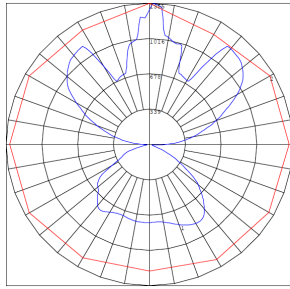
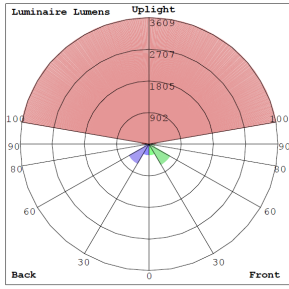


Phone: (877) 805-2252 | Fax: (877) 805-2252  
www.westgatemfg.com

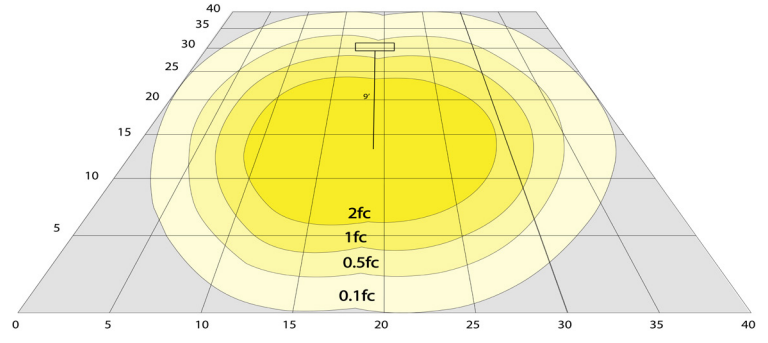


WG-ZA-Z7-2Z

## Photometrics: SCLP-UD-4FT-60W-MCT-D



BUG Rating: B1-U5-G1



Area 40'x 40' Mounting Height: 9'

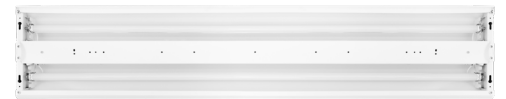
## Other Views:



Lens View



Side View



Back View

## Performance Table: SCLP-UD-4FT-60W-MCT-D

MODEL NO.	Wattage	Voltage	Lumens	Color Temp.	BUG Rating	LPW
SCLP-UD-4FT-60W-MCT-D	60W 40W UP/ 20W Down	120~277V	4400LM/ 2100LM	3500K	B1-U5-G1	110
				4000K		
				5000K		

## Sample Ordering

Model	Style	Size	Watt	Color Temp.	Dimming					
SCLP	-	UD	-	4FT	-	60W	-	MCT	-	D

## Accessory:

Blank = No Option For Accessories

SCLP-UD-CB = COUPLING BRACKET

SCL-CSY1-6FT = ADJ. 6FT 1/16in, 1.5mm SINGLE SUSPENSION 5in CANOPY SET WITH Y DOUBLE KEYHOLE END CONNECTORS, NON-POWER SIDE

SCL-CSY1P-6FT = ADJ. 6FT 1/16in, 1.5mm SINGLE SUSPENSION 5in CANOPY SET WITH Y DOUBLE KEYHOLE END CONNec-TORS, POWER SIDE WITH SJTW18/5 WHITE CORD

SCL-CSY1P-6FT-NC = ADJ. 6FT 1/16in, 1.5mm SINGLE SUSPENSION 5in CANOPY SET WITH Y DOUBLE KEYHOLE END CONNECTORS

## Factory-Installed Options:

Blank = No Option For Accessories

OPT-EM-SL1INT = EMERGENCY BACKUP INTERNAL BATTERY

OPT-SCL-LMT-35K= ADDITIONAL LED MODULAR TUBE, 20W, 3500K

OPT-SCL-LMT-40K = ADDITIONAL LED MODULAR TUBE, 20W, 4000K

OPT-SCL-LMT-50K = ADDITIONAL LED MODULAR TUBE, 20W, 5000K

OPT-CLR-100 = COLOR PAINT

WEC-3RC = REMOTE CONTROL

OPT-SEN-2US = ULTRASONIC BI-LEVEL DIMMING (REMOTE NOT NEEDED)

## ACCESSORY:



SCLP-UD-CB



SCL-CSY1-6FT



SCL-CSY1P-6FT



SCL-CSY1P-6FT-NC

## FACTORY-INSTALLED OPTIONS:



OPT-EM-SL1INT



OPT-SEN-2US



WEC-3RC

