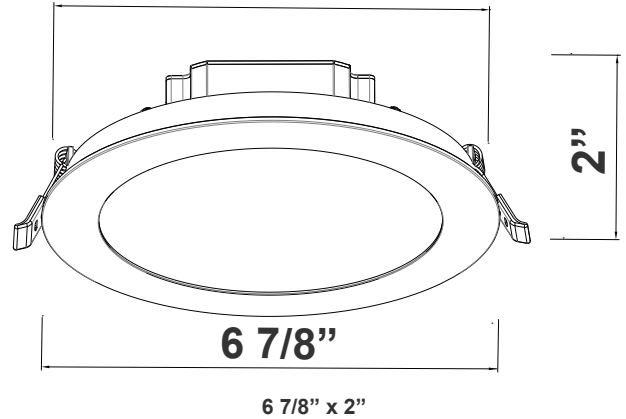


# RSL SERIES RESIDENTIAL LIGHTING

**RSL6-JB-MCT5**  
SLIM SNAP-IN RECESSED LIGHTS WITH J-BOX, 5CCT  
**MCT** Multi Color Temperature (Selectable)



Customer Name: \_\_\_\_\_  
Project Name: \_\_\_\_\_  
Note: \_\_\_\_\_ | Type: \_\_\_\_\_



SLIM SNAP-IN RECESSED LIGHTS WITH J-BOX - 4" ROUND  
Ideal for New As Well As Old Residential And Commercial  
Constructions.

## Features

- 6" Smooth Recessed Trim
- Multi CCT (Selectable Switch on the Back of the driver )
- Isolated Driver for Improved Thermal Management
- 5-Year Warranty
- Spun Aluminum with White Powder Coat Finish

## Technical Specifications

### Electrical:

- Wattage: 12W
- Voltage: 120V AC
- Output Voltage: 36VDC
- Power Factor: >0.90
- Total Harmonic Distortion: ≤15 %
- Efficacy: 83 LPW

### Mechanical:

- Two 1/2" Knuckout on the Junction Box
- Up to 9 AWG18 Wires
- Die-cast Aluminum with white powder coat finish
- Pot Light Housing is Not Required Even for Insulated Ceiling
- Maximum Ambient Temperature: -40°F to 104°F
- Damp Location

### Lighting:

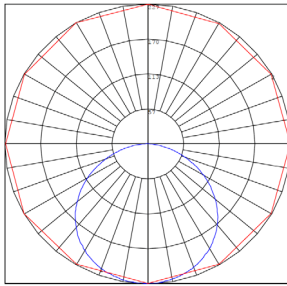
- Dimming: Dimmable Down to 10% Using a Standard TRIAC LED Dimmer
- Lens: 0.125" White Translucent Acrylic
- Can Rotate after Installation to Align
- LED: Seoul DOB (Driver On Board) Technology
- Optics: White Translucent Acrylic
- Total Lumens: 1000LM
- Color Temperatures: 2700K/3000K/3500K/4000K/5000K
- Multi CCT (Selectable Switch on the Back of the driver )
- Color Rendering Index: CRI ≥ 80
- Beam Angle: 100°-110°
- Rated Life: 50,000 hrs

### Applications:

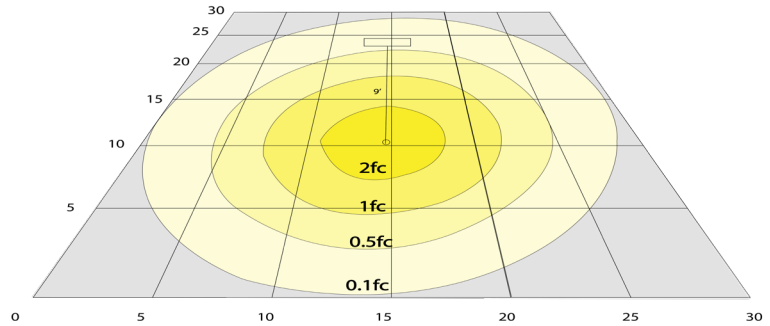
- LED recessed trims have been designed to be a flexible lighting solution for new construction applications, Ideal for closets, storage areas, attics, corridors, or general lighting solutions for residential and commercial applications



**Photometrics:** RSL6-JB-MCT5



BUG Rating: B2-U1-G0

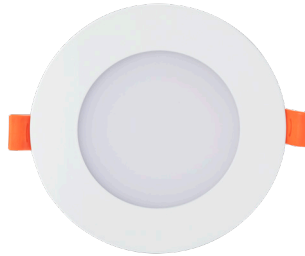


9W 5000K, Area 30'x 30' Mounting Height: 9'

**Other Views:**



Side View



Front View



Back View

**Performance Table:** RSL6-JB-MCT5

MODEL NO.	Wattage	Voltage	Lumens	Color Temp.	BUG Rating	LPW
RSL6-JB-MCT5	12W	120V	1000LM	2700K	B2-U1-G0	83
				3000K		
				3500K		
				4000K		
				5000K		

**Sample Ordering**

Model      Style      Color Temp.

RSL6 - JB - MCT5

**Accessories:**

Blank = No Option For Accessories  
 RSL-EXT-10FT-MCT = 10 FT. EXTENSION CABLE FOR USE WITH ALL SLIM LIGHT  
 RSL4-RI-13 = 4" ROUND ROUGH-IN PLATE, 13" LONG  
 RSL4-RI = 4" ROUND ROUGH-IN PLATE, 26" LONG  
 RSL-346-RIBH = 3", 4", 6" (ADJUSTABLE) ROUND GALVANIZED PLATE WITH BAR HANGERS  
 E26-CONVERTER = SCREW-IN ADAPTER THAT FITS ANY STANDARD

**Factory-Installed Option:**

Blank = No Option For Accessories  
 OPT-EM-DL1EXT = EXTERNAL BATTERY BACKUP

**ACCESSORIES:**



**FACTORY-INSTALLED OPTION:**



OPT-EM-DL1EXT  
EXTERNAL BATTERY BACKUP



## Compatible Dimmer List:

MODEL NO.	BRAND
6631-1LT	LEVITON
MACL-153MLH-AL	LUTRON
TGCL-153PH-LA	LUTRON
DVW-603PGH-WH	LUTRON
CT-600PR-WH	LUTRON
LGCL-153PHL-IV	LUTRON
TGCL-153PH-LA	LUTRON
LSLV603PWV	LUTRON
6674-POW	LEVITON
DVCL-153P	LUTRON
MSCL-OP153P	LUTRON
CTCL-153P	LUTRON
MACL-153M	LUTRON
HCL453PTCCCV6	PASS & SEYMOUR
LSLV603PWV	PASS & SEYMOUR

