

# 4/6 INCH RECESSED DOWNLIGHT INSTALLATION INSTRUCTIONS

Pay attention to security. Please read those operating manual and keep them for future use before installation. The company will not take the responsibility if you are not operate according to the instructions.

## Important safety operating instructions

1. Please read all warnings and instructions labels which is included in the box and fixture to avoid personal injury, property damage caused by fire, electric shock, components falling, cuts, bruises ,death and other dangerous.
2. Please follow these general precautions before installing, maintaining, or fixing.
3. Commercial installation, service and maintenance of luminaires should be performed by a qualified licensed electrician.
4. For residential installation: if you are unsure about the installation or maintenance of the luminaires, please consult a qualified licensed electrician and check your local electrical code.
5. Don't let the luminaires contact with the surface of combustible materials.
7. This fixture should not be used in areas with limited ventilation or high ambient temperature.

## Warning: Risk of electrical shock

1. Turn off electrical power at fuse or circuit breaker box before wiring fixture to the power supply
2. Make sure the fixture connect in right voltage. Connect the fixture with 120V 50/60Hz power supply.
3. Make sure all electrical and grounded connections in accordance with the National Electrical Code and applicable local code requirements.

## Caution: Risk of product damage

1. Never connect components under load
2. Do not hang or support these fixtures that will cut the outer jacket or damage wire insulation.
4. Unless individual product specifications deem, otherwise: Do not exceed fixtures maximum ambient temperature
5. Electrostatic Discharge can damage LED fixtures. Personal grounding equipment must be worn during installing or maintaining.
6. Do not touch individual electrical components as this can cause electrostatic discharge, shorten lamp life, or alter performance.

## Caution: Risk of injury

1. Wear gloves and safety glasses at all times when moving luminaire from carton, installing, servicing or performing maintenance.
2. Avoid direct eye exposure to the light source while it is on. Or this may cause irreparable damage to the eyes.

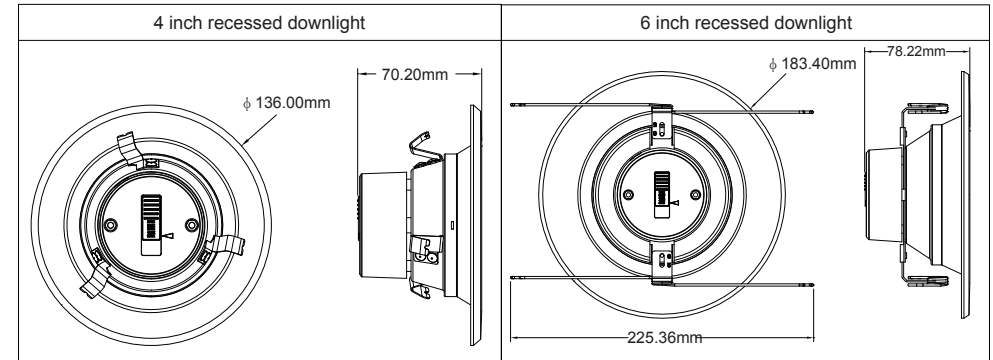
## Caution: Risk of burn

1. Allow fixture to cool before before touch.
2. Do not exceed maximum wattage marked on luminaire label.

Make sure that all parts are ready before installing the light and then compare the parts with the packing list and the hardware catalogue. If there is any missing or damaged, please do not assemble the lamp. The time of install the light is probably 5 minutes.

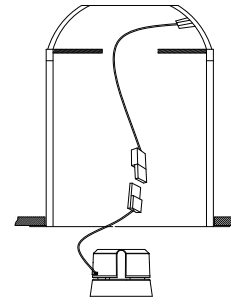
**Attention:** lights must to be installed by the experienced household wire installer or a qualified electrician, Electrical system and the electrical connection method of lamps and lanterns must conform to the national electrical standards and specification requirements of the local architecture.

## Product graphics

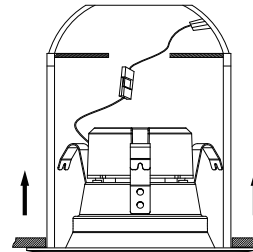


### 4 inch recessed downlight Installation steps:

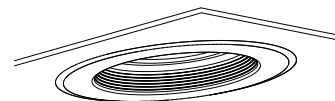
1. EZ Connect housing, then connect the terminals



2. Attach the torsion springs to the brackets of the recessed can

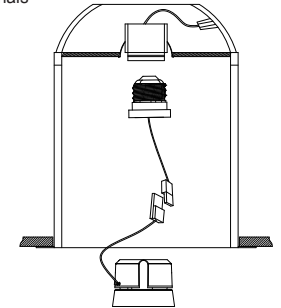


3. Insert the LED Retrofit Kit into the recessed housing unit

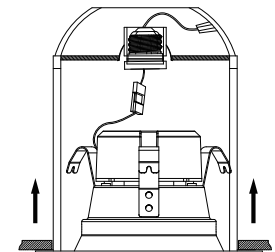


### 6 inch recessed downlight Installation steps:

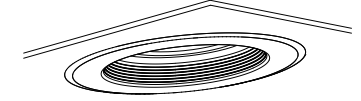
1. Install the adapter, then connect the terminals



2. Attach the torsion springs to the brackets of the recessed can

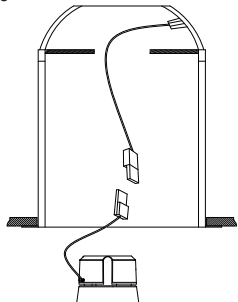


3. Insert the LED Retrofit Kit into the recessed housing unit

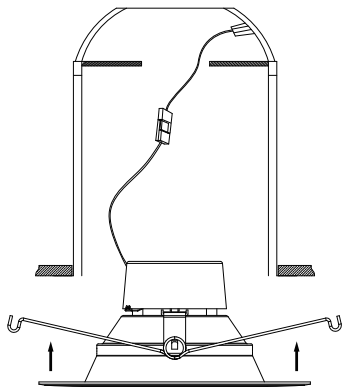


6 inch recessed downlight Installation steps:

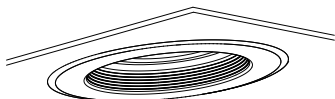
1. EZ Connect housing, then connect the terminals



2. Attach the torsion springs to the brackets of the recessed can

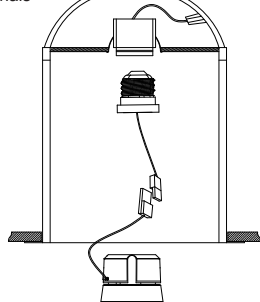


3. Insert the LED Retrofit Kit into the recessed housing unit

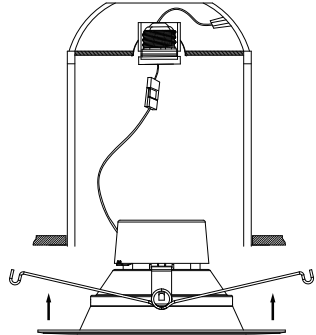


6 inch recessed downlight Installation steps:

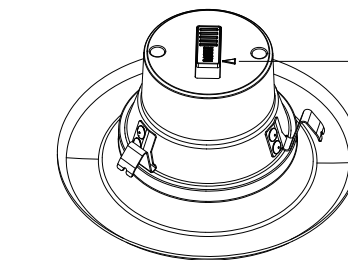
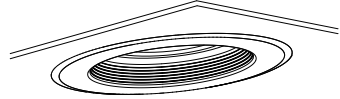
1. Install the adapter, then connect the terminals



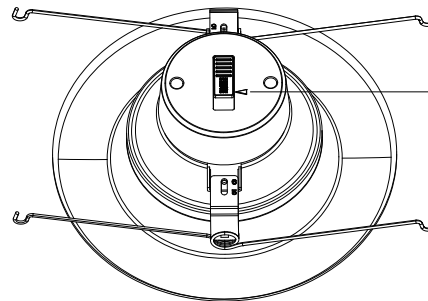
2. Attach the torsion springs to the brackets of the recessed can



3. Insert the LED Retrofit Kit into the recessed housing unit



5CCT adjustable  
( 2700K, 3000K, 3500K,  
4000K, 5000K )



5CCT adjustable  
( 2700K, 3000K, 3500K,  
4000K, 5000K )

Function : 4" 5CCT adjustable  
Switch the CCT to adjust the color  
Temperature (2700K-3000K-3500K-4000K-5000K )  
1.Voltage: 120V/AC;  
2.Operating frequency: 50/60Hz;  
3.Working temp.: -20°C—45°C  
4.Installation height: 1-4m,Standard height:2.5m.

Function : 6" 5CCT adjustable  
Switch the CCT to adjust the color  
Temperature (2700K-3000K-3500K-4000K-5000K )  
1.Voltage: 120V/AC;  
2.Operating frequency: 50/60Hz;  
3.Working temp.: -20°C—45°C  
4.Installation height: 1-4m,Standard height:2.5m.