

PML SERIES Outdoor Lighting

PML-S-MCT-ORB
MCT PIER-MOUNT LIGHTS

MCT Multi Color Temperature (Selectable)



LED Pier Mount Lights With Frosted Lens Is Ideal For General Site Lighting, Loading Docks, Doorway, Pathway And Parking Areas.

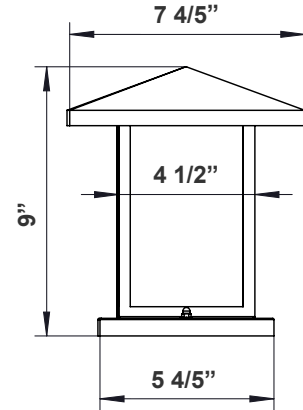
WESTGATE
THE FUTURE IS HERE...AND IT'S QUITE BRIGHT!

Customer Name: _____

Project Name: _____

Note: _____

Type: _____



7 4/5" (W) x 9" (H)

Features

- Back plate: Steel With Mounting/Gasket Installed
- Oil-Rubbed Bronze
- Frosted Glass Lens
- 7-Year Warranty
- Multi-CCT Switch Is Inside Fixture

Technical Specifications

Electrical:

- Voltage: 120V AC 60Hz
- Wattage: 12W
- Power Factor: >0.90
- Efficacy: 29 LPW

Mechanical:

- Back Plate: Steel With Mounting/Gasket Installed
- Frosted Glass Lens
- Oil-Rubbed Bronze
- Operating Temperature: -4°F to 49°F
- IP44 Suitable For Wet Location
- 7-Year Warranty

Lighting:

- Multi-CCT Switch Is Inside Fixture
- Total Lumens: 345LM
- Color Temperatures: 3000K/ 4000K/ 5000K
- Color Rendering Index: CRI ≥ 80
- Beam Angle: 90°
- Rated Life: 70,000 Hrs

Applications:

- LED Pier Mount Lights With Frosted Lens Is Ideal For General Site Lighting, Loading Docks, Doorway, Pathway And Parking Areas.

Other Models:

• 15W | 430LM | PML-M-MCT-ORB

• 18W | 460LM | PML-L-MCT-ORB

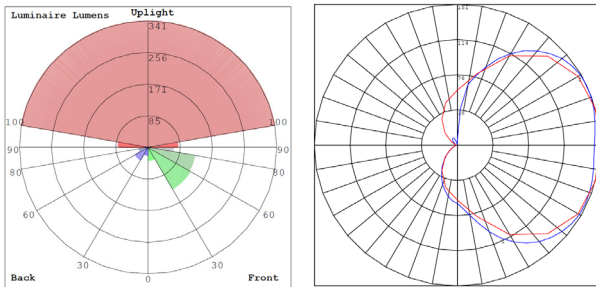


Phone: (877) 805-2252 | Fax: (877) 805-2252
www.westgatemfg.com |

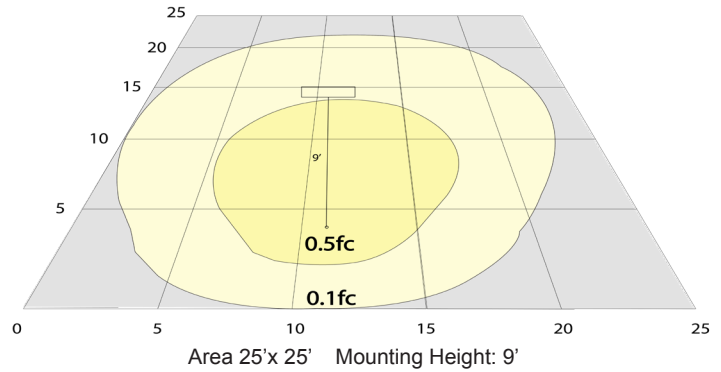


WG-02212023

Photometrics: PML-S-MCT-ORB



BUD Rating: B0-U3-G1



Other Views:



Side View



Back View

Performance Table: PML-S-MCT-ORB

MODEL NO.	Wattage	Voltage	Lumens	Color Temp.	BUG Rating	LPW
PML-S-MCT-ORB	12W	120V	345LM	3000K 4000K 5000K	B0-U3-G1	29

Sample Ordering

Model	Size	Color Temp.	Housing
PML	S	MCT	ORB

Accessories:

Blank = No Option For Accessories

PML-S-HGLK = PML-S Honey Color Glass Replacement Glass Lens Kit

ACCESSORIES:



PML-S-HGLK
Shown with optional Honey Color
Glass Lens (Field-installed)

Other Models:



PML-M-MCT-ORB



PML-L-MCT-ORB

