



MR16-400L-27K-D
MR16-400L-30K-D
MR16-400L-41K-D
MR16-400L-50K-D

LED MR16 LAMPS

Ideal for restaurants, retail stores, showrooms and residential applications. Especially suited for areas where accessing the fixture is costly

ELECTRICAL SPECIFICATIONS:

- Input Wattage: 5W
- Input Voltage: 12AC/DC
- Efficacy: 76LM/W~80LM/W

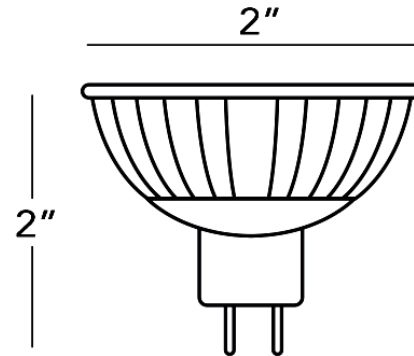
HOUSING SPECIFICATIONS:

- Heat sink: die-cast aluminum with heat dissipation fins for superior thermal management
- Compact design same size as halogen MR16 lamps
- Lifespan: 25,000hrs.

CERTIFICATIONS:ETL



DIMENSIONS:



MODEL	WATTS	VOLTAGE	LUMENS	COLOR TEMP
MR16-400L-27K-D	5W	12AC/DC	380LM	2700K
MR16-400L-30K-D	5W	12AC/DC	380LM	3000K
MR16-400L-41-D	5W	12AC/DC	390LM	4100K
MR16-400L-50K-D	5W	12AC/DC	400LM	5000K

LIGHTING SPECIFICATIONS:

- Dimmable: Dimmable with magnetic ballast only
- Operates on both electronic or magnetic transformer
- Total lumens: 380LM/390LM/400LM
- Emits no UV/IR light
- Replaces 65w halogen
- Base: GU5.3
- Color temperature: 2700K/3000K/4100K/5000K
- Color rendering index: >80
- Beam angle: 40°

WARRANTY: 5 years

