

MODELS:

LWPX-30-80W-MCTP

Model number parameter list:

Item	Model	Input Voltage	Watt	Input Current
A	LWPX-30-80W-MCTP	100-277VAC	30W/40W/60W/80W	1.1A MAX

CAUTION: This product use an input 100-277VAC driver of wide range voltage.



1. Introduction

- This LED Wall-Packs light uses the latest in solid state lighting technology for long life, low maintenance, and high efficiency.
- An internal power-factor-corrected switch-mode supply allows it to be used from any nominal 100V-277V, 60Hz AC supply without any variation in light output.
- Suitable for use in the following locations:
 - Ambient Temp: -4~+104°F
 - Wet Locations

Note: Save these instructions for future reference.

2. Installation

Warning:

To avoid the risk of fire, explosion, or electric shock, this product should be installed, inspected, and maintained by a qualified electrician only, in accordance with all applicable electrical codes.

Warning:

To avoid electric shock:

- Be certain electrical power is OFF before and during installation and maintenance.
- Luminaire must be connected to a wiring system with an equipment-grounding conductor.

Warning:

To avoid explosion:

- Make sure the supply voltage is the same as the rated luminaire voltage.
- Do not install where marked operating temperatures exceed the ignition temperature of the hazardous atmosphere.
- Do not operate in ambient temperatures above those indicated on the luminaire nameplate.

For supply connections use wire rated for at least 176°F

Installation:

Wall Mount Installation

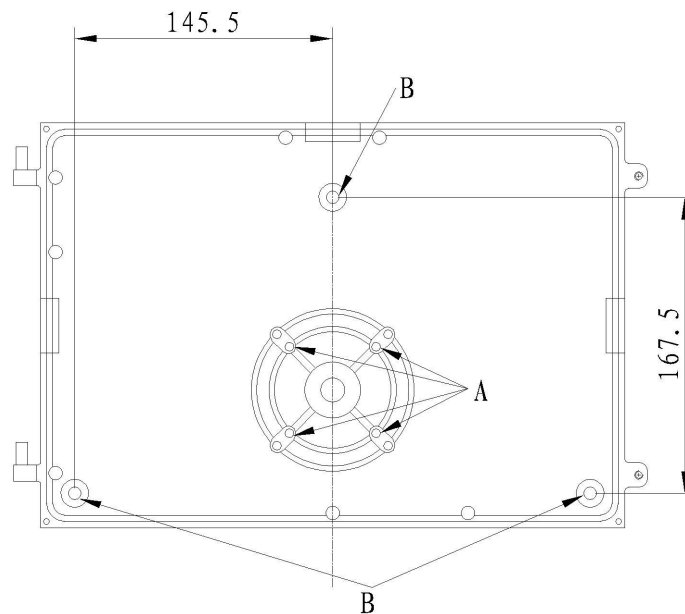


FIG.1

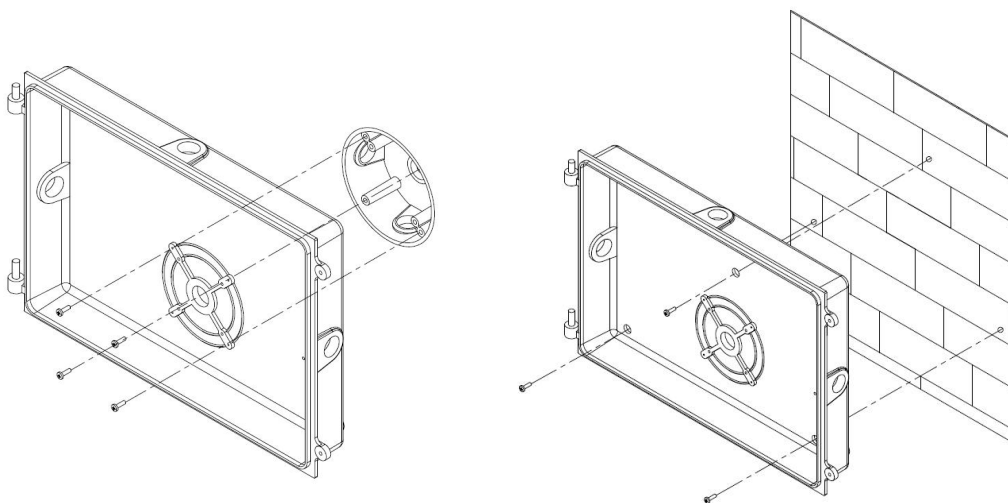
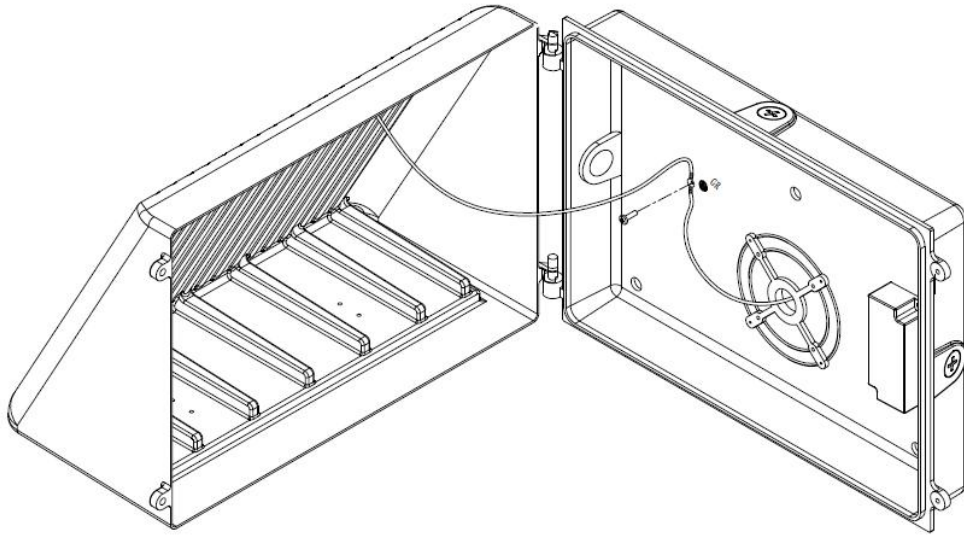
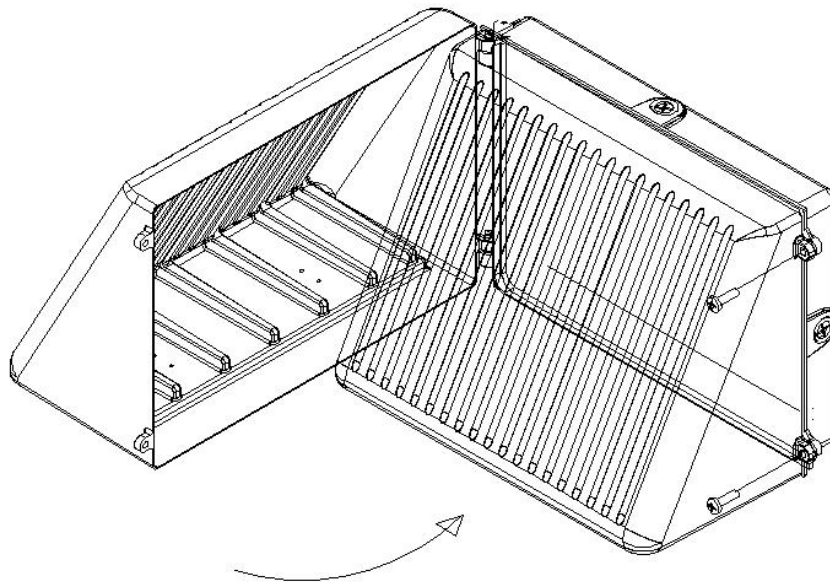


FIG.2



FLG.3



FLG.4

Step 1

Open the back box by using philips screw driver (FIG.2),Refer to size of the diagram to bore the holes on the wall(FIG.1).

Step 2

screw the three green/yellow grounding cords to the position which indicated "GR"(FLG.3)

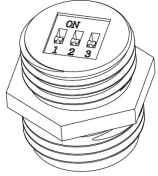
Step 3

Tighten enclosure screws to seal fixture. (FIG.4)

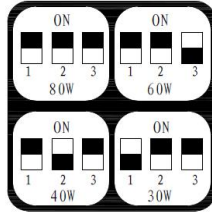
Wattage tunable (Optional)

Diagrams and Methods of Watt Selectable Function:

According to the watt selectable label shown in the diagram, please toggle the DIP switch 1,2,3 to select the corresponding watt.



Wattage tunable

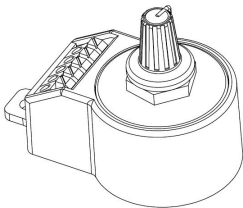


Wattage tunable selector
(30/40/60/80W)

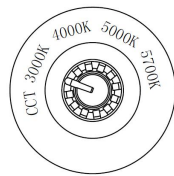
CCT tunable (Optional)

Diagrams and Methods of CCT Selectable Function:

Please screw the knob cap to select the corresponding CCT.



CCT tunable



CCT Tunable selector inside
(3000/4000/5000/5700K)

MAINTENANCE

The emergency driver will perform required routine test, and indicates via its light. Maintenance personnel should periodically check the indicator light. If the indicator light is flashing quickly, pls contact manufacturer.

"Written records of testing shall be kept by the owner for inspection by the authority having jurisdiction."

After installation, please

- check whether the lighting fixture is firmly fixed.
- check whether wires are connected correctly.
- At last, turn on the power, and check if the lighting fixture works well. If not, please turn off the power and contact with local dealer.